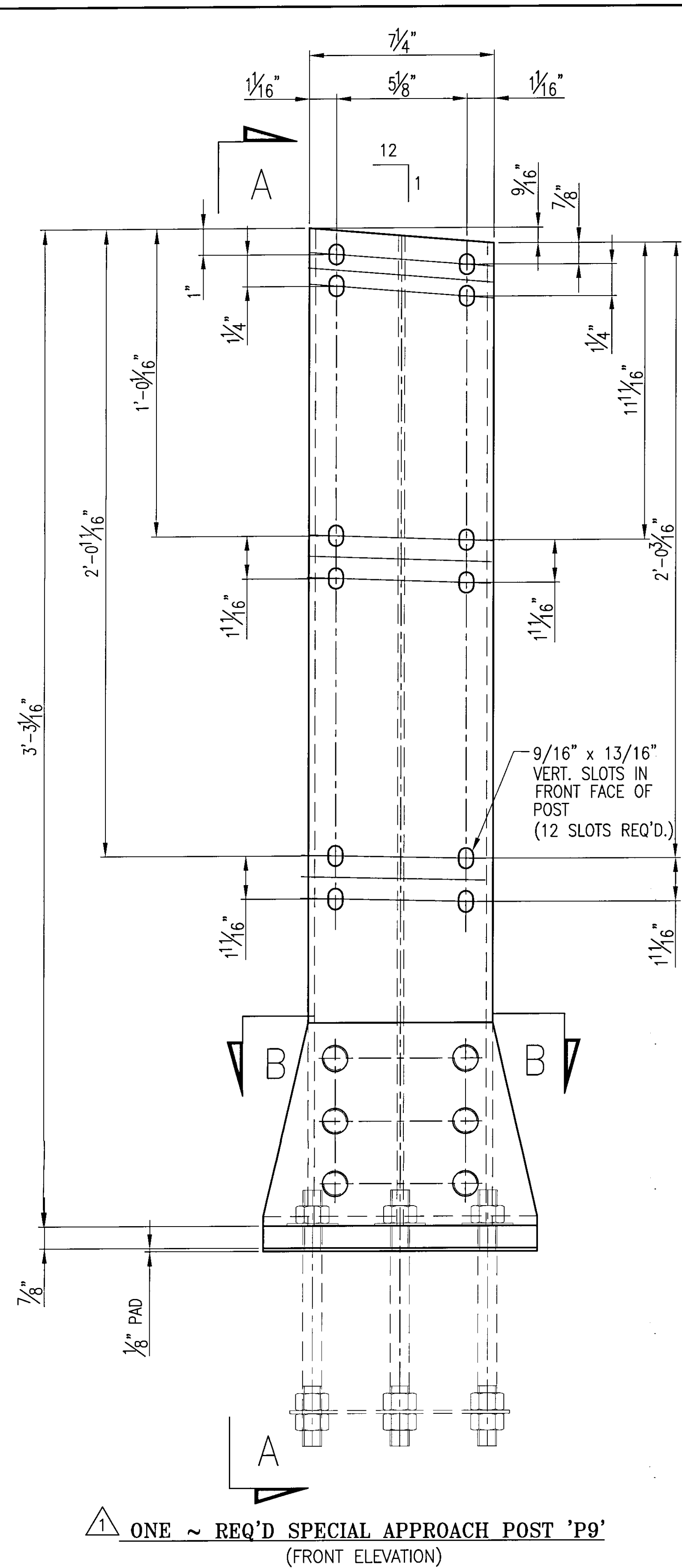


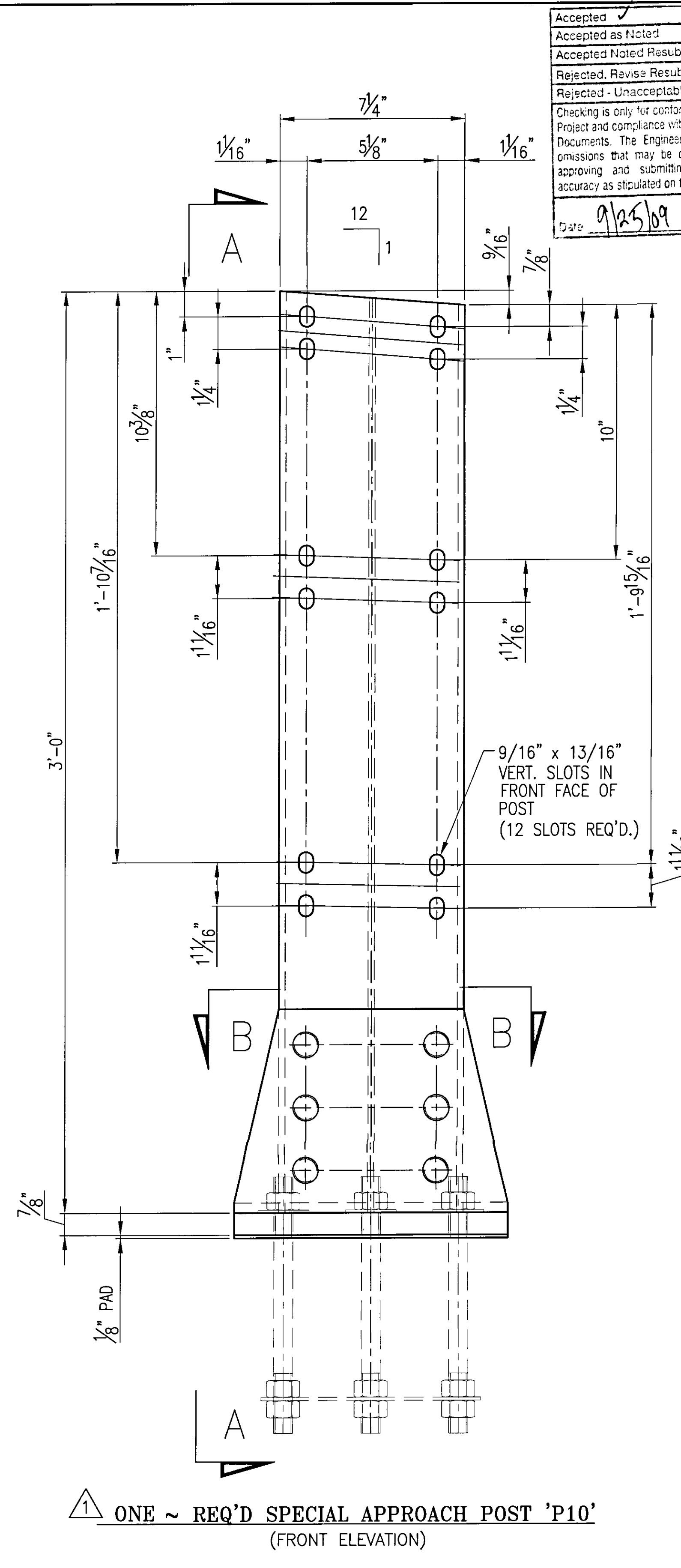
Accepted	✓
Accepted as Noted	
Accepted Noted Resubmit	
Rejected, Revise Resubmit	
Rejected - Unacceptable	

Checking is only for conformance with the design concept of the Project and compliance with the information given in the Contract Documents. The Engineer assumes no liability for errors or omissions that may be contained herein. The Contractor, by approving and submitting these documents, verifies their accuracy as stipulated on the Contractor's Shop Drawing Stamp.

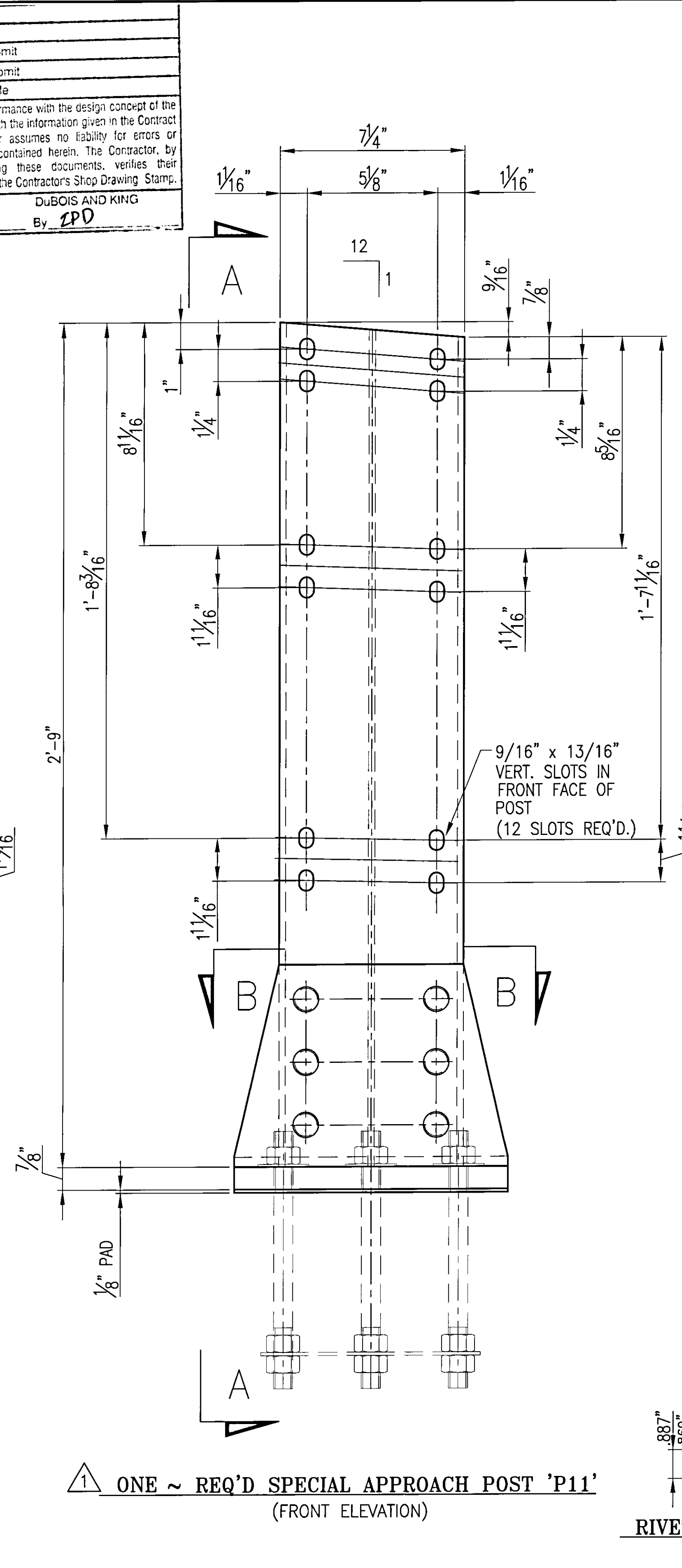
Date: 9/25/09 By: ZPD
DuBOIS AND KING



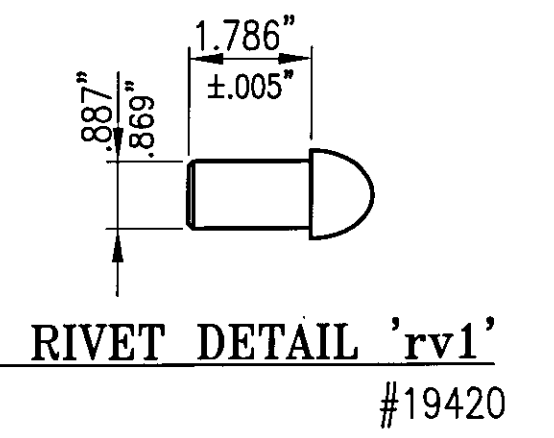
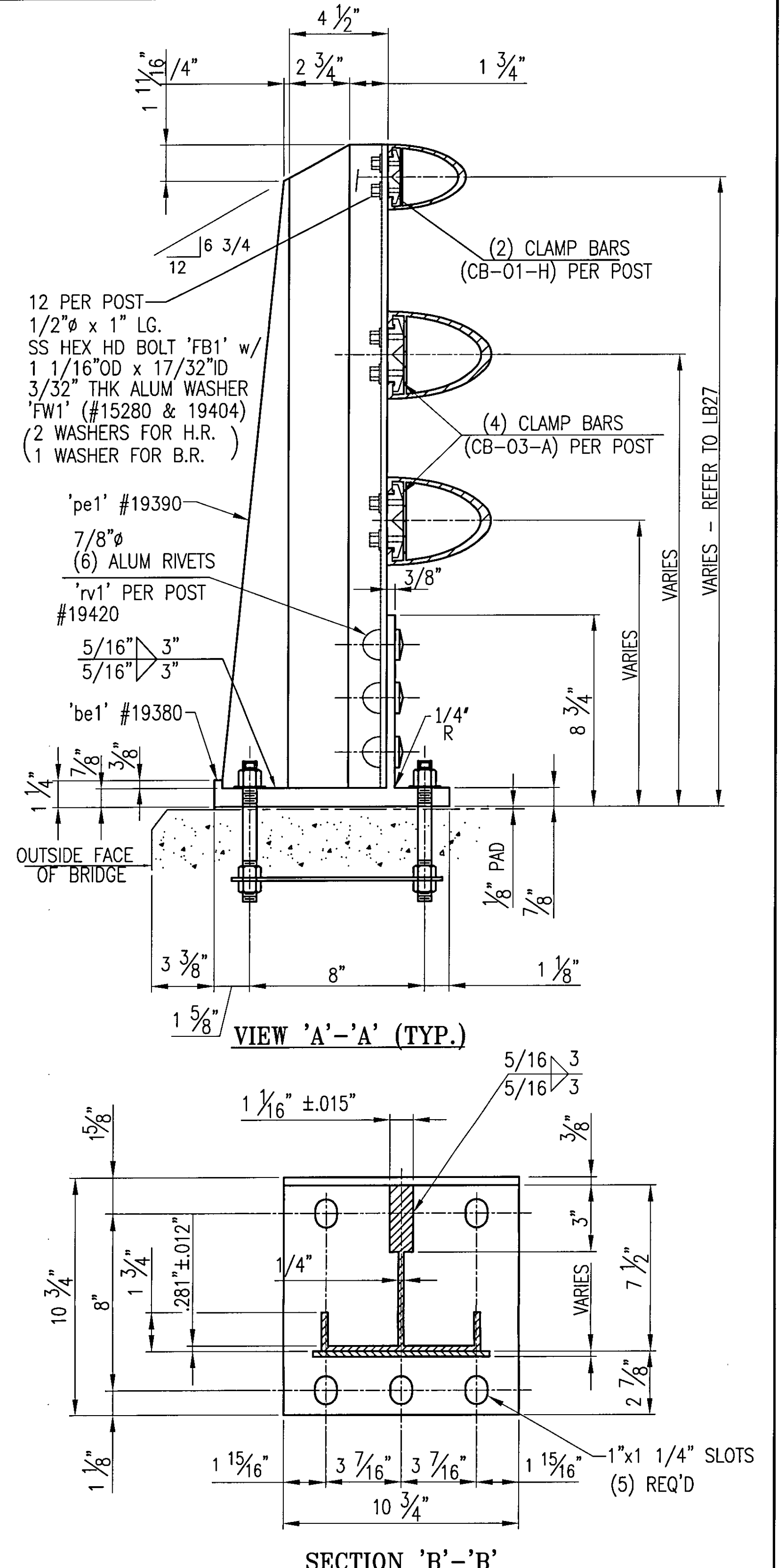
① ONE ~ REQ'D SPECIAL APPROACH POST 'P9'
(FRONT ELEVATION)



① ONE ~ REQ'D SPECIAL APPROACH POST 'P10'
(FRONT ELEVATION)



① ONE ~ REQ'D SPECIAL APPROACH POST 'P11'
(FRONT ELEVATION)



ANODIZED
• (SEE LB5 FOR NOTES)

FOR ADDITIONAL POST/ANCHOR DETAILS SEE LB29

REV.	DESCRIPTION	BY	DATE
①	REVISED PER APPROVER MARKUPS	CMS	03 22 07

BRIDGE No. 7
PROJECT No. BHF 6000 (15) S
ITEM No. 900.640

APPROVED: _____
DRAWING

L.B. FOSTER COMPANY
1016 GREENTREE ROAD
PITTSBURGH, PENNSYLVANIA 15220

FOR: F. R. LAFAYETTE, INCORPORATED
VERMONT AGENCY OF TRANSPORTATION
CITY OF BARRE, COUNTY OF WASHINGTON
BRIDGE RAILING FOR PROSPECT ST. OVER STEVENS BRANCH
3L ALUM APPROACH RAILING ~ SPECIAL POSTS

MADE CMS DATE 08/11/09 JOB No. AR0569 CUST. No.
CHECK_B/LJ DATE 08/18/09 DRAWING LB30 REV. No. ONE