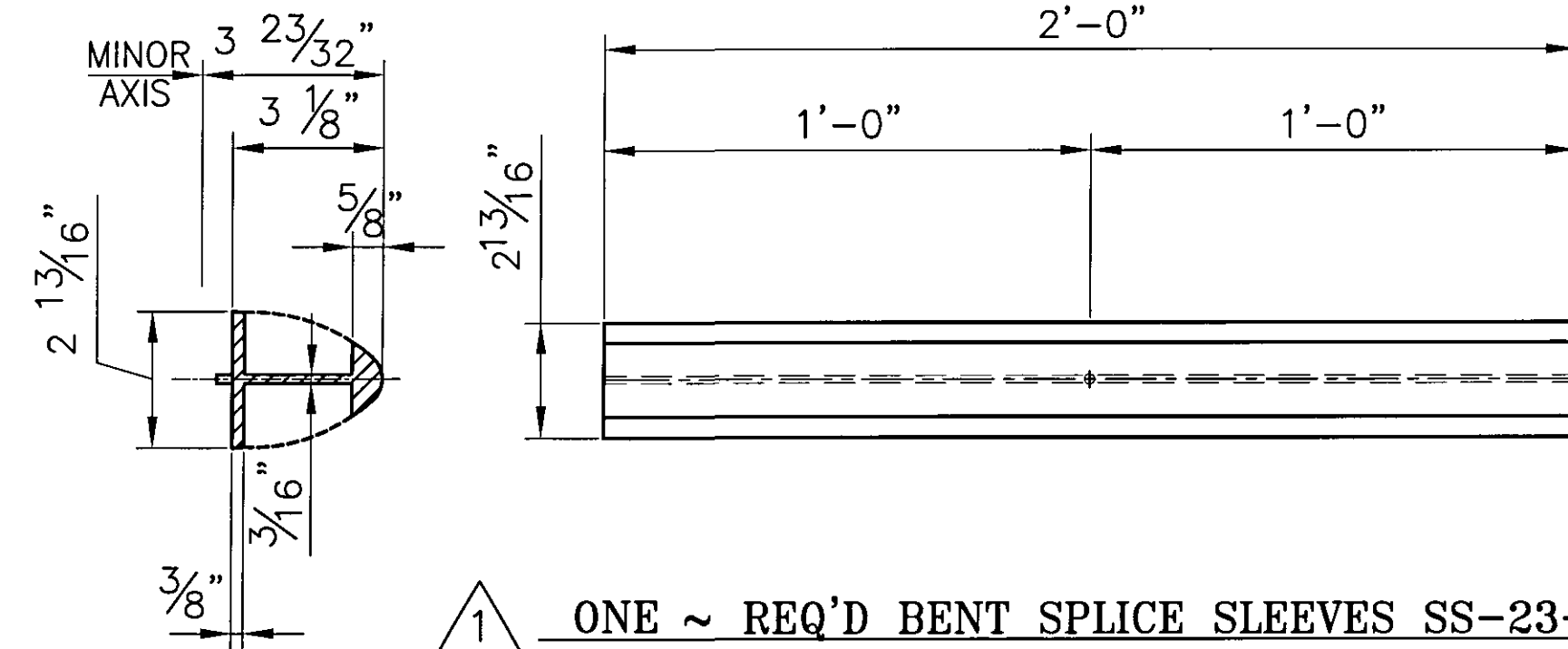
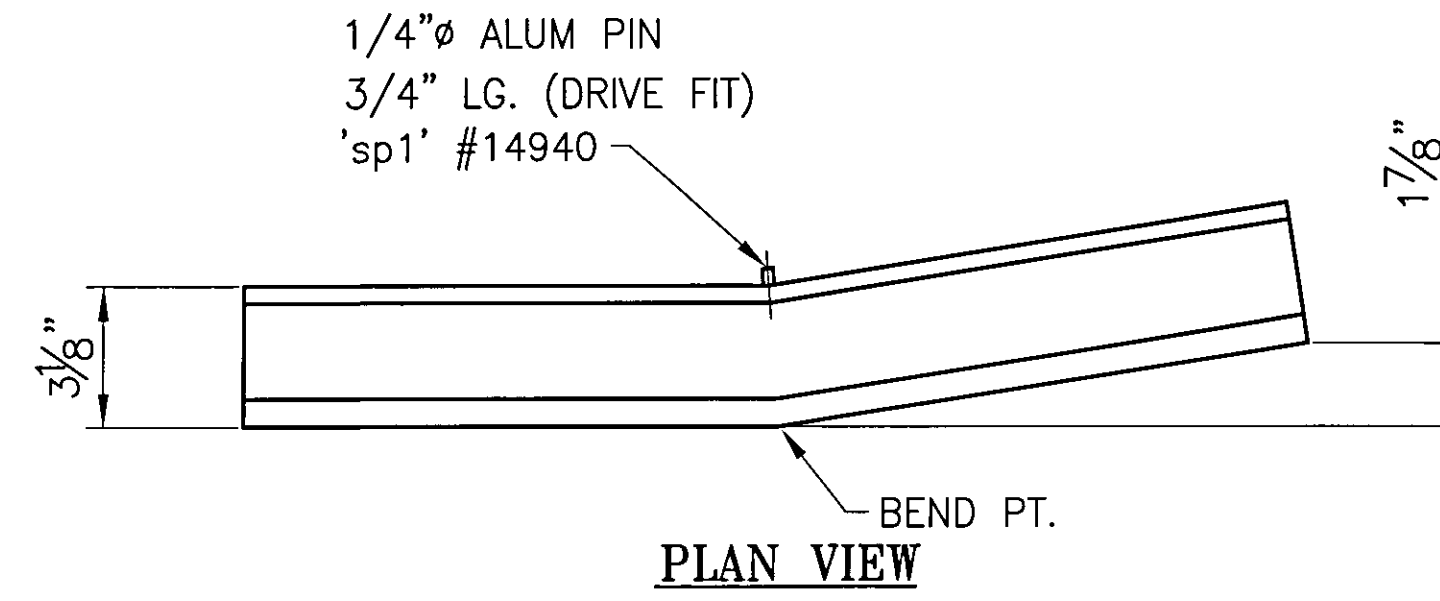
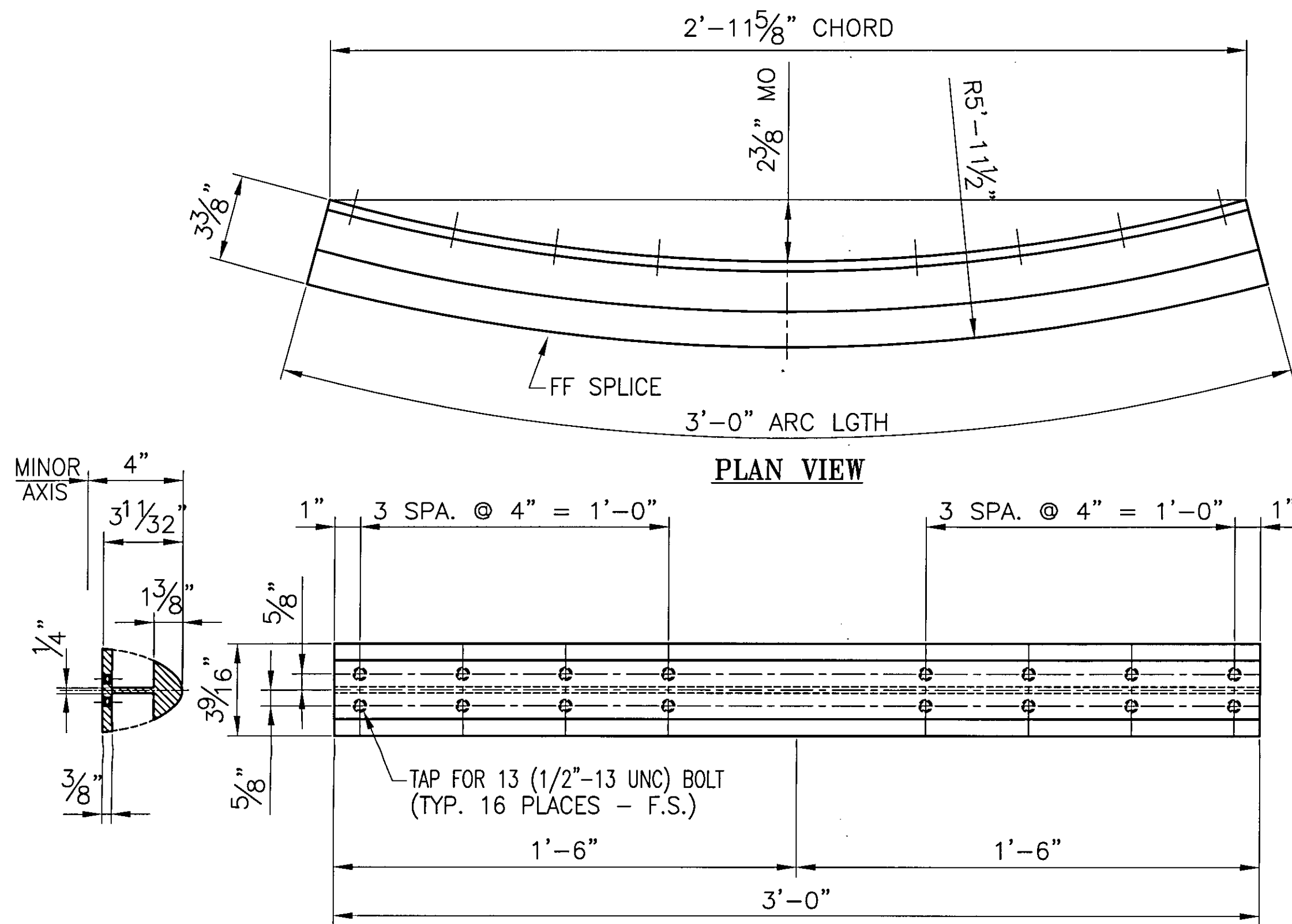
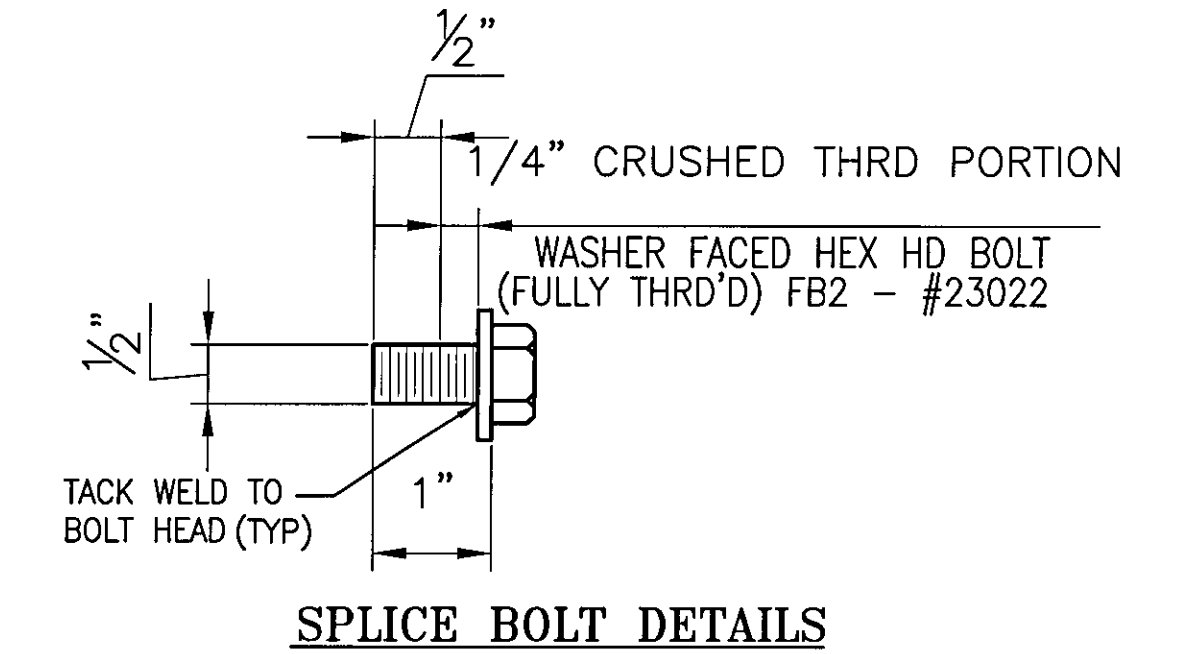


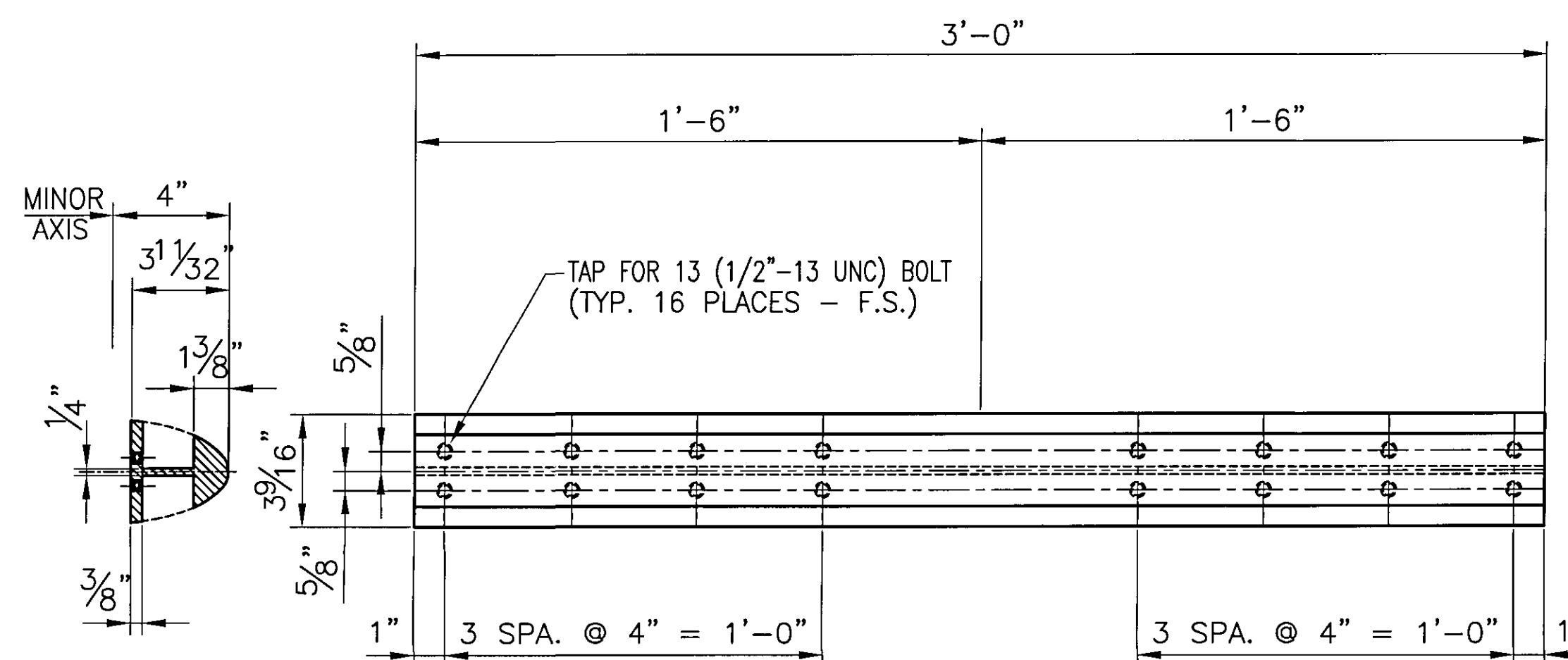
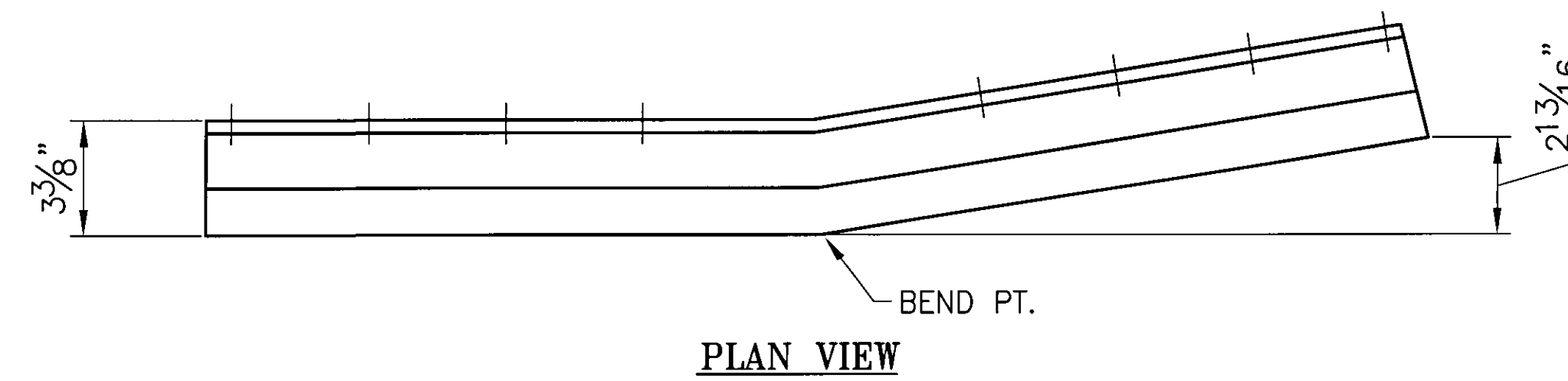
1 ONE ~ REQ'D BENT SPLICE SLEEVES SS-23-A2
(FRONT ELEVATION VIEW)(HANDRAIL) #20204



1 ONE ~ REQ'D BENT SPLICE SLEEVES SS-23-A3
(FRONT ELEVATION VIEW)(HANDRAIL) #20204



1 2 ~ REQ'D BENT SPLICE SLEEVES SS-03-G3
(FRONT ELEVATION VIEW)(BARRIER RAIL) #19501



1 2 ~ REQ'D BENT SPLICE SLEEVES SS-03-G4
(FRONT ELEVATION VIEW)(BARRIER RAIL) #19501

ANODIZED
(SEE NOTES ON LB5)

Accepted	<input checked="" type="checkbox"/>
Accepted as Noted	<input type="checkbox"/>
Accepted Noted Resubmit	<input type="checkbox"/>
Rejected, Revise Resubmit	<input type="checkbox"/>
Rejected - Unacceptable	<input type="checkbox"/>
Checking is only for conformance with the design concept of the Project and compliance with the information given in the Contract Documents. The Engineer assumes no liability for errors or omissions that may be contained herein. The Contractor, by approving and submitting these documents, verifies their accuracy as stipulated on the Contractor's Shop Drawing Stamp.	
Date	9/25/09
By	EPD

BRIDGE No. 7
PROJECT No. BHF 6000 (15) S
ITEM No: 900.640

APPROVED:	REC'D APPROVAL
DRAWING	
L.B. FOSTER COMPANY 1016 GREENTREE ROAD PITTSBURGH, PENNSYLVANIA 15220	
FOR: F. R. LAFAYETTE, INCORPORATED VERMONT AGENCY OF TRANSPORTATION CITY OF BARRE, COUNTY OF WASHINGTON APPROACH RAILING FOR PROSPECT ST. OVER STEVENS BRANCH 3-LINE ALUM BRIDGE RAIL ~ SPLICE DETAILS	

REVISED PER APPROVER MARKUP	CMS	09/13/09
REV.	DESCRIPTION	BY DATE
MADE	CMS	DATE 08/11/09
CHECK	BLJ	DATE 08/17/09
JOB No.	AR0569	CUST. No.
DRAWING	LB27	REV. No.
ONE		