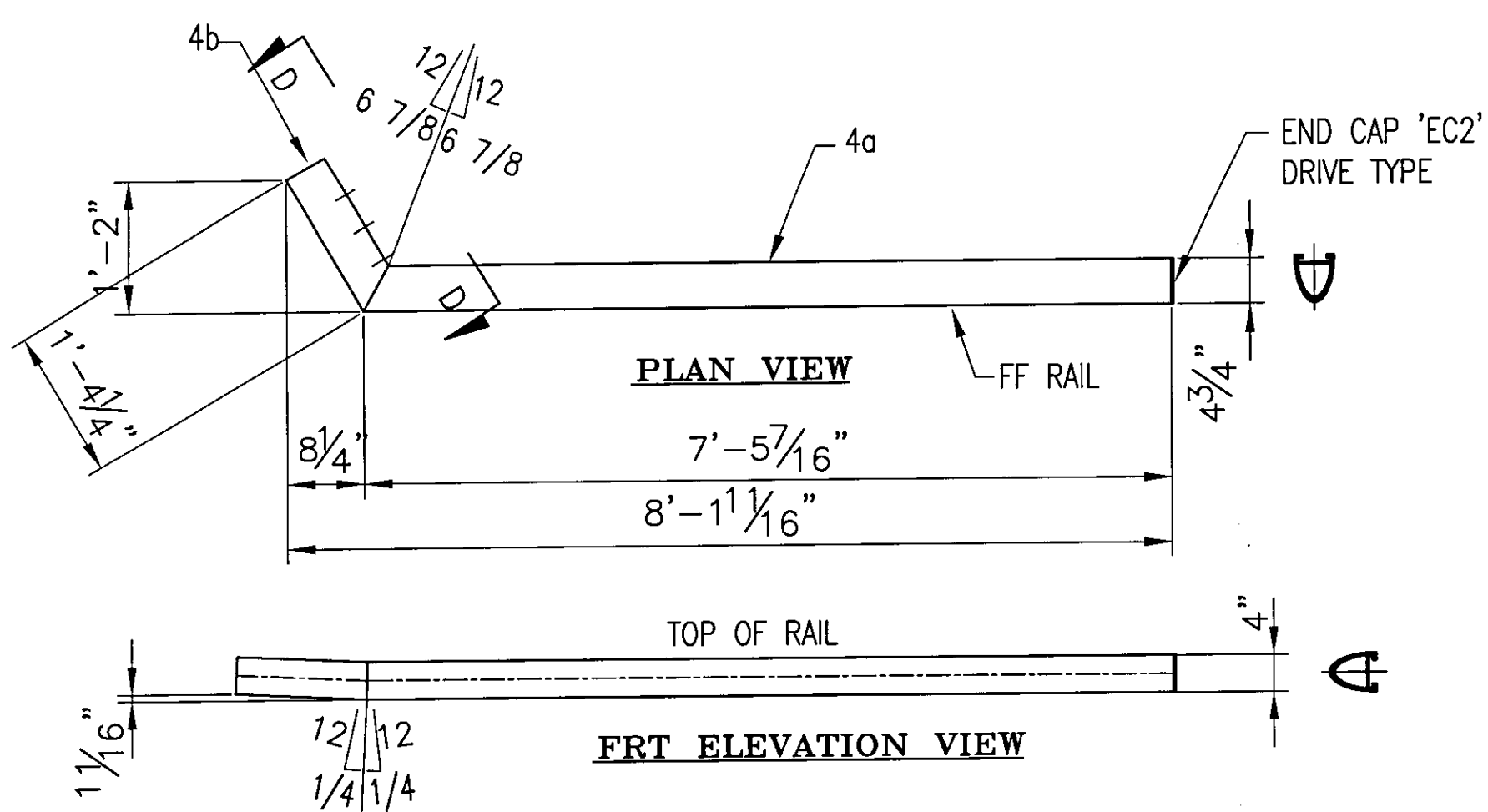


1 ONE REQ'D. ~ MITERED TOP RAIL 'TA4'

ONE REQ'D. ~ 'ta4a' x 7'-6 1/4" (ALONG LONGEST EDGE)
 ONE REQ'D. ~ 'ta4b' x 1'-3 11/16" (ALONG LONGEST EDGE)

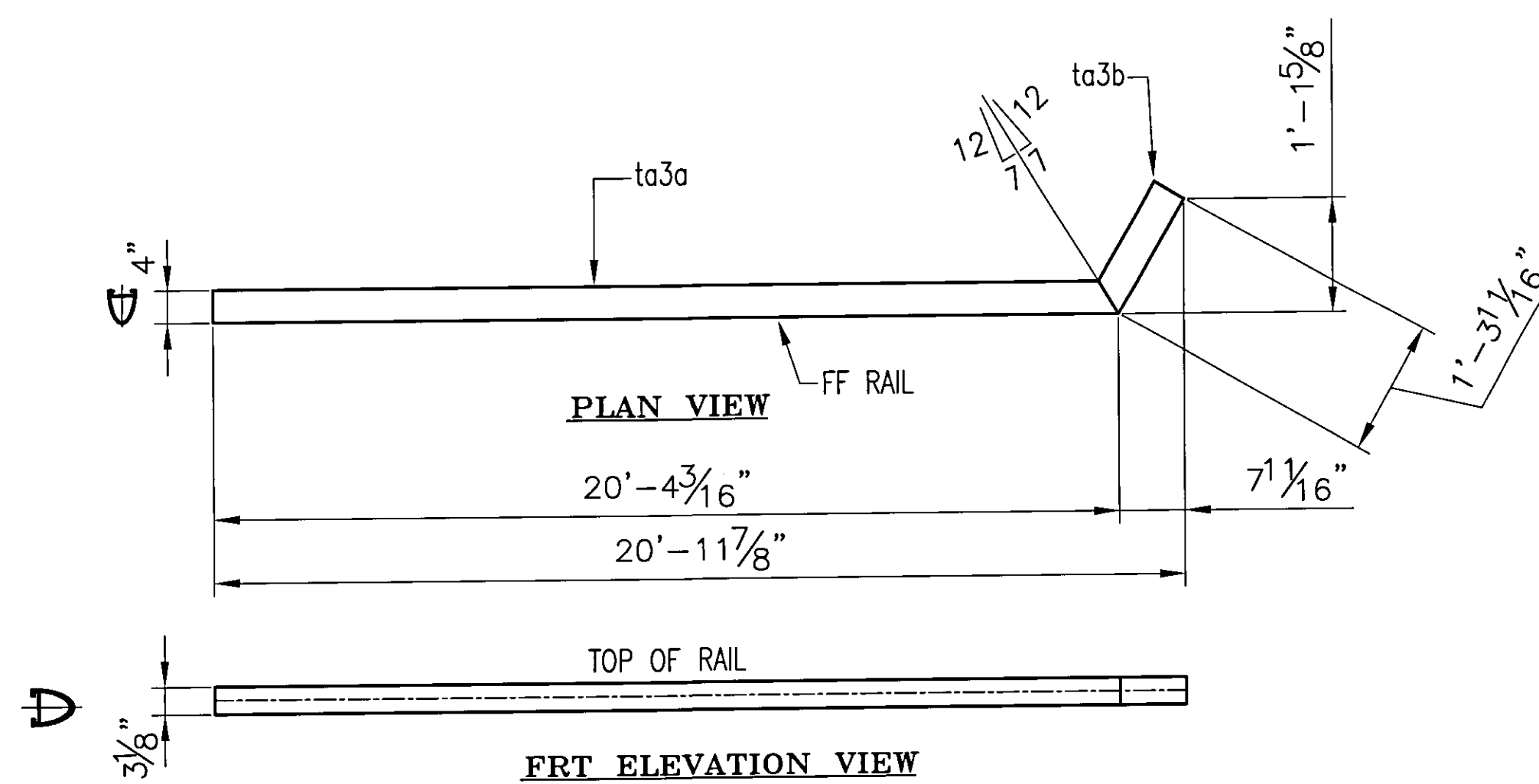


1 ONE REQ'D. ~ MITERED MID RAIL 'MA4'

ONE REQ'D. ~ 'ma4a' x 7'-5 7/16" (ALONG LONGEST EDGE)
 ONE REQ'D. ~ 'ma4b' x 1'-4 1/4" (ALONG LONGEST EDGE)

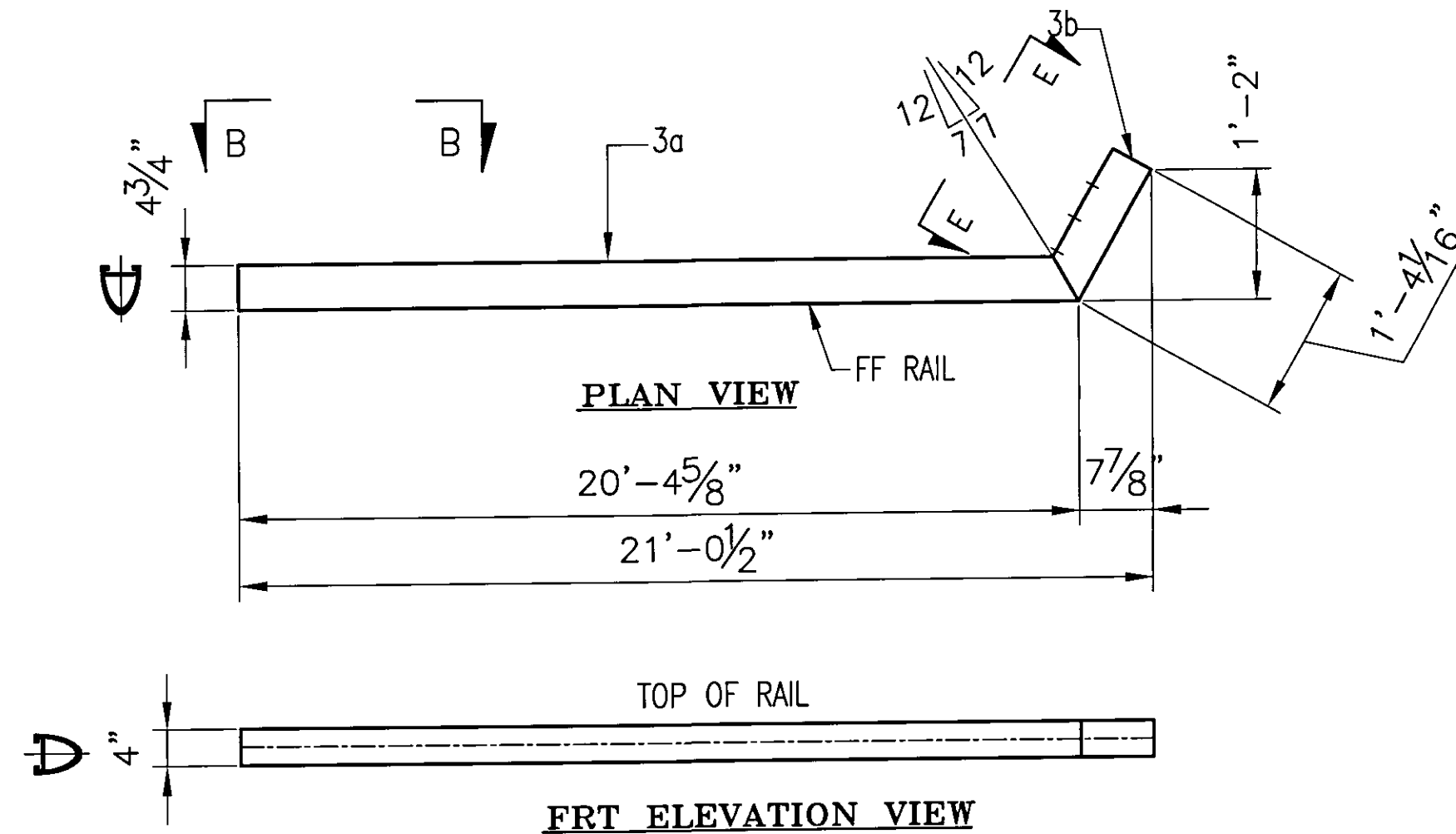
1 ONE REQ'D. ~ MITERED BOT. RAIL 'BA4'

ONE REQ'D. ~ 'ba4a' x 7'-5 7/16" (ALONG LONGEST EDGE)
 ONE REQ'D. ~ 'ba4b' x 1'-4 1/4" (ALONG LONGEST EDGE)



1 ONE REQ'D. ~ MITERED TOP RAIL 'TA3'

ONE REQ'D. ~ 'ta3a' x 20'-4 3/16" (ALONG LONGEST EDGE)
 ONE REQ'D. ~ 'ta3b' x 1'-3 1/16" (ALONG LONGEST EDGE)

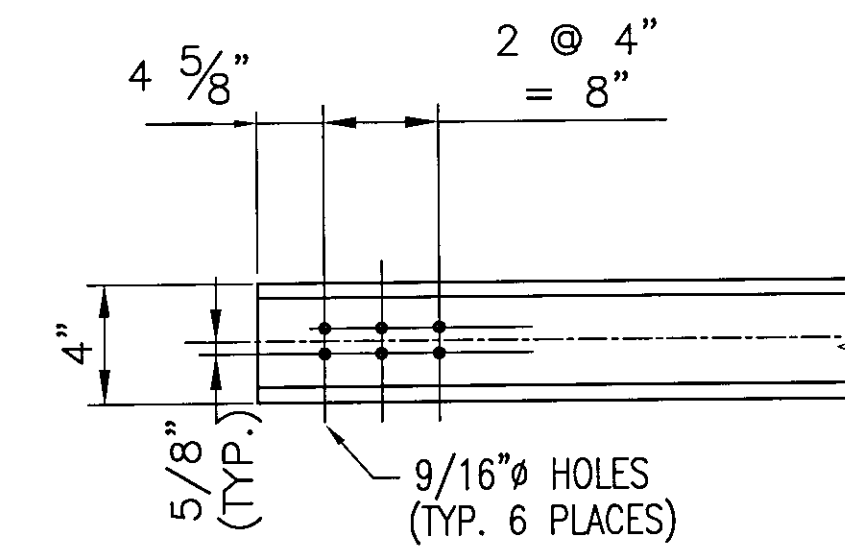


1 ONE REQ'D. ~ MITERED MID RAIL 'MA3'

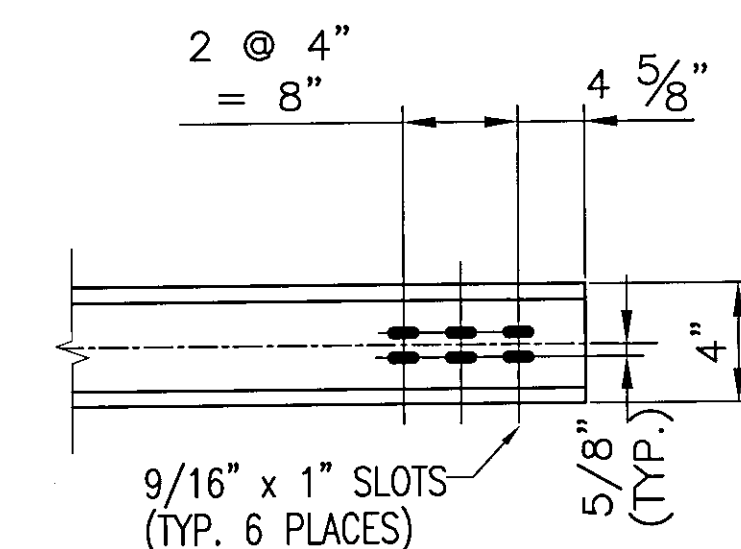
ONE REQ'D. ~ 'ma3a' x 20'-4 5/8" (ALONG LONGEST EDGE)
 ONE REQ'D. ~ 'ma3b' x 1'-4 1/16" (ALONG LONGEST EDGE)

1 ONE REQ'D. ~ MITERED BOT. RAIL 'BA3'

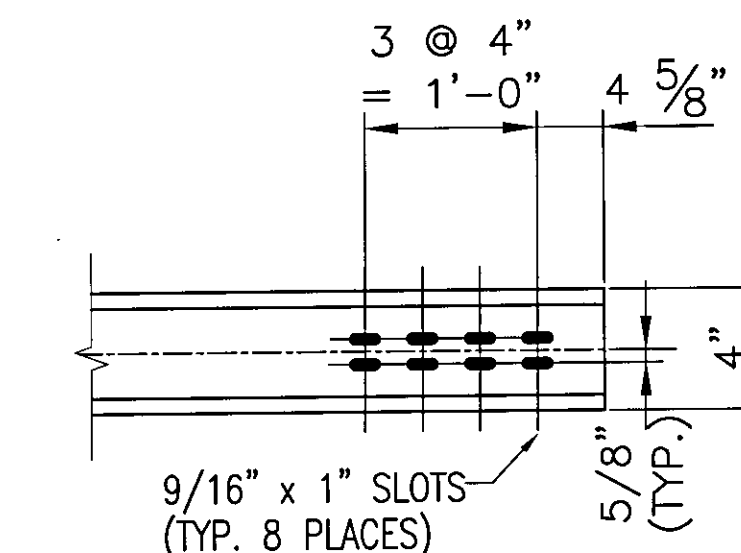
ONE REQ'D. ~ 'ba3a' x 20'-4 5/8" (ALONG LONGEST EDGE)
 ONE REQ'D. ~ 'bma3b' x 1'-4 1/16" (ALONG LONGEST EDGE)



SECT. 'E'-'E'
(REAR ELEVATION)

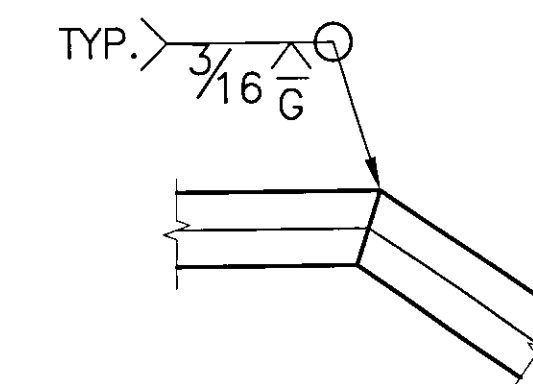


SECT. 'D'-'D'
(REAR ELEVATION)



SECT. 'B'-'B'
(REAR ELEVATION)

Accepted	✓
Accepted as Noted	
Accepted Noted Resubmit	
Rejected - Revise Resubmit	
Rejected - Unacceptable	
Checking is only for conformance with the design concept of the Project and compliance with the information given in the Contract Documents. The Engineer assumes no liability for errors or omissions that may be contained herein. The Contractor, by approving and submitting these documents, verifies their accuracy as stipulated on the Contractor's Shop Drawing Stamp.	
Date	9/25/09
By	DUBOIS AND KING EPD



TYPICAL WELD DETAIL
@ MITERED BAL. RAILS

ANODIZED
(SEE NOTES ON LB5)

BRIDGE No. 7
 PROJECT No. BHF 6000 (15) S
 ITEM No: 900.640

APPROVED: _____	REC'D APPROVAL _____
DRAWING _____	
L.B. FOSTER COMPANY	
1016 GREENTREE ROAD PITTSBURGH, PENNSYLVANIA 15220	
FOR: F. R. LAFAYETTE, INCORPORATED	
VERMONT AGENCY OF TRANSPORTATION	
CITY OF BARRE, COUNTY OF WASHINGTON	
BRIDGE RAILING FOR PROSPECT ST. OVER STEVENS BRANCH	
3-LINE ALUM BRIDGE RAIL ~ MISC RAIL DETAILS	
MADE CMS DATE 08/10/09 JOB No. AR0569 CUST. No.	CHECK BLJ DATE 08/17/09 DRAWING LB24 REV. No. ONE

1	REVISED PER APPROVER MARKUP	CMS	03/22/07
REV.	DESCRIPTION	BY	DATE