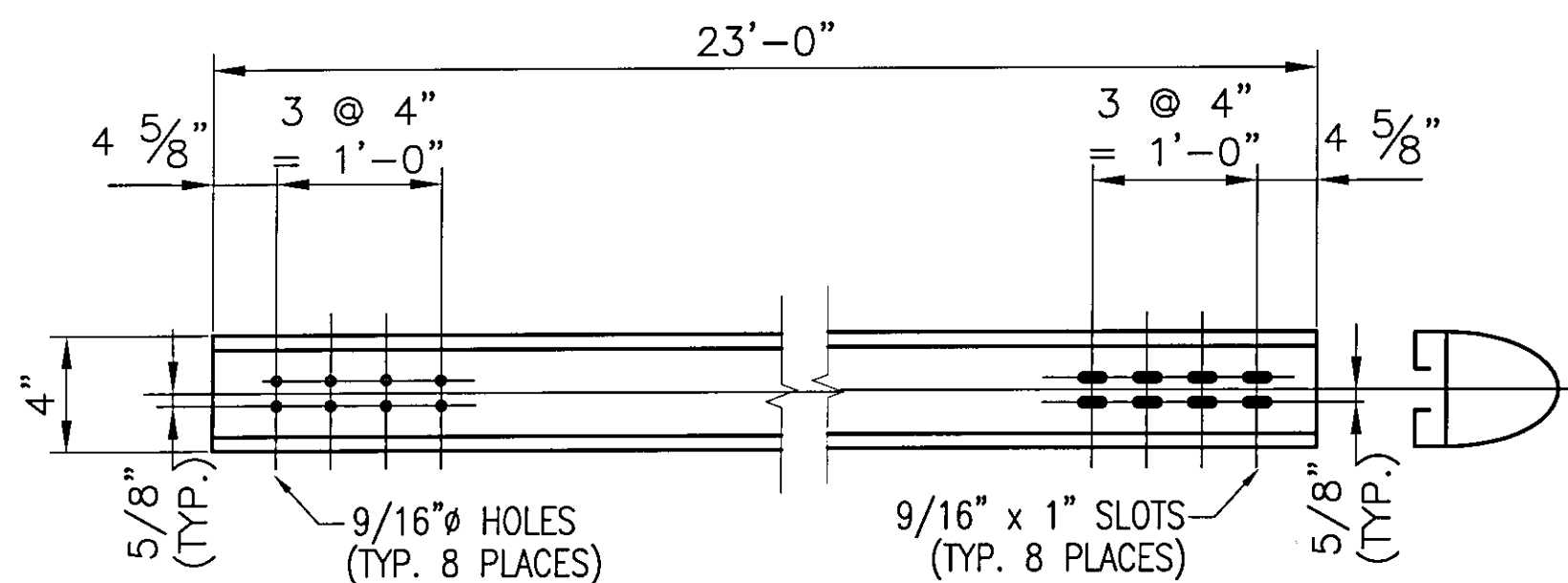


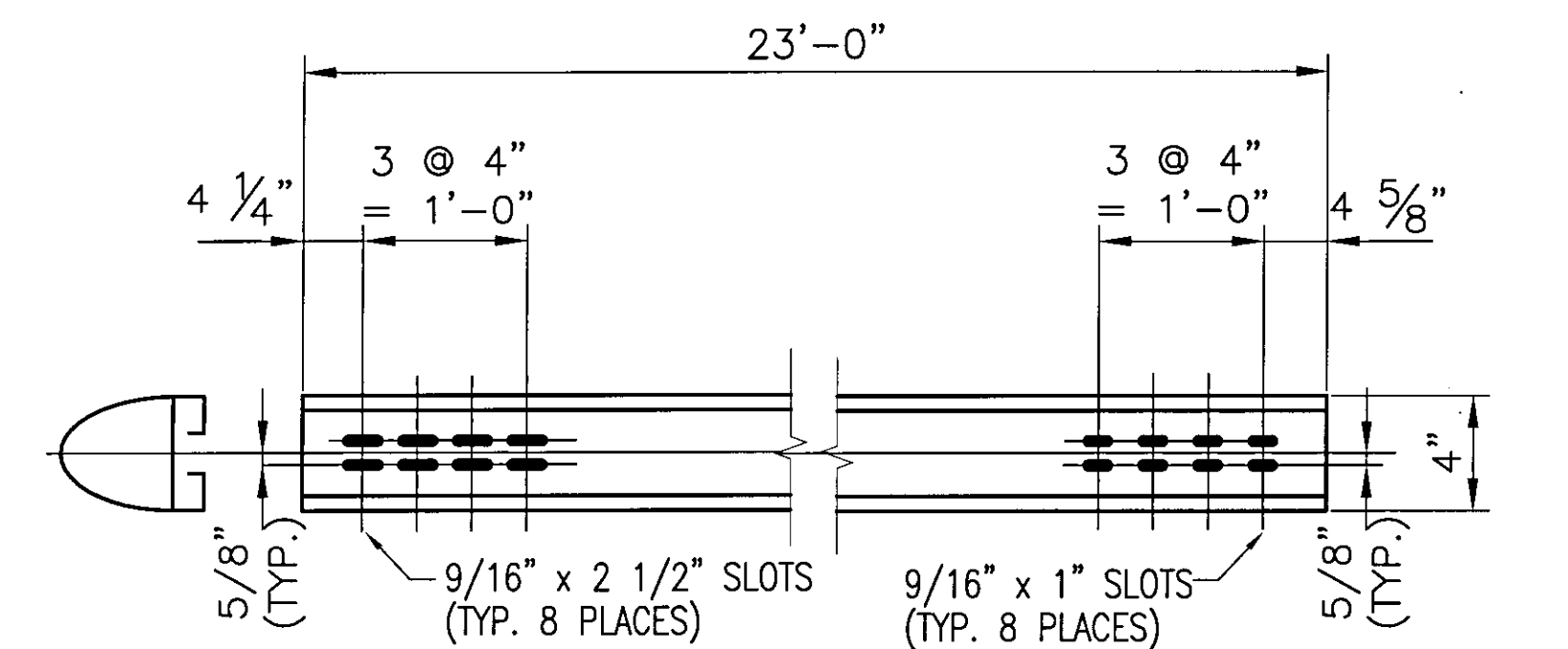
ONE REQ'D. ~ RAIL 'MB1'  
(BACK ELEVATION VIEW)

ONE REQ'D. ~ RAIL 'BB1'  
(BACK ELEVATION VIEW)



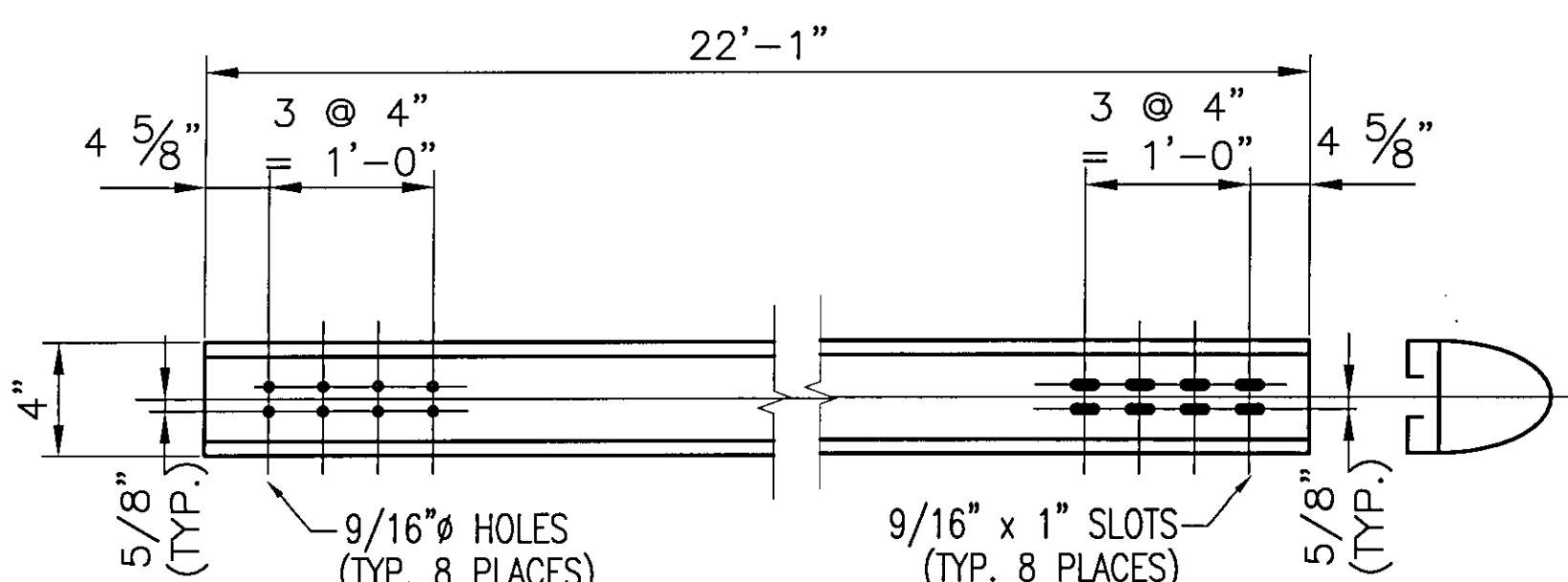
2 REQ'D. ~ RAIL 'MB2'  
(BACK ELEVATION VIEW)

2 REQ'D. ~ RAIL 'BB2'  
(BACK ELEVATION VIEW)



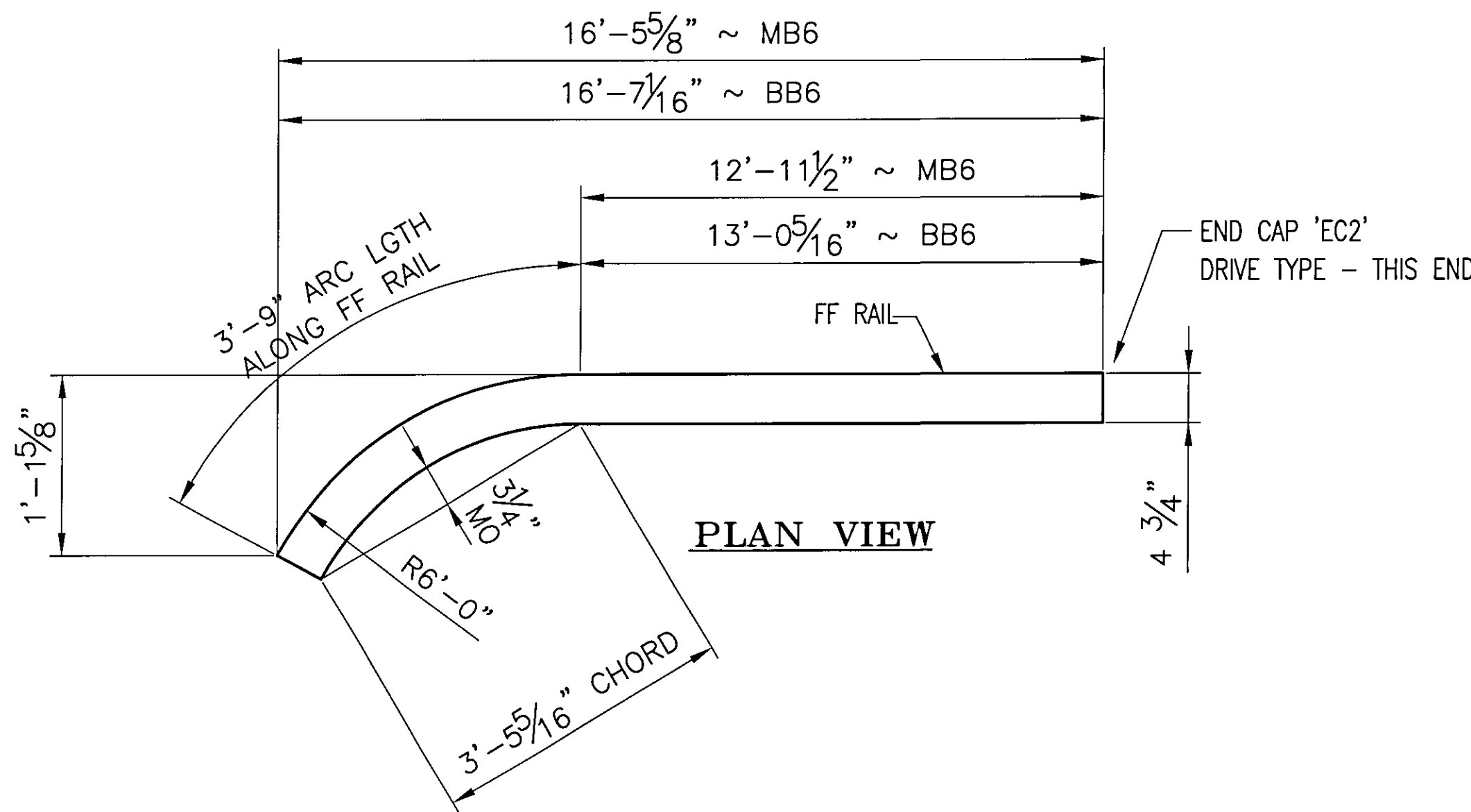
ONE REQ'D. ~ RAIL 'MB3'  
(BACK ELEVATION VIEW)

ONE REQ'D. ~ RAIL 'BB3'  
(BACK ELEVATION VIEW)

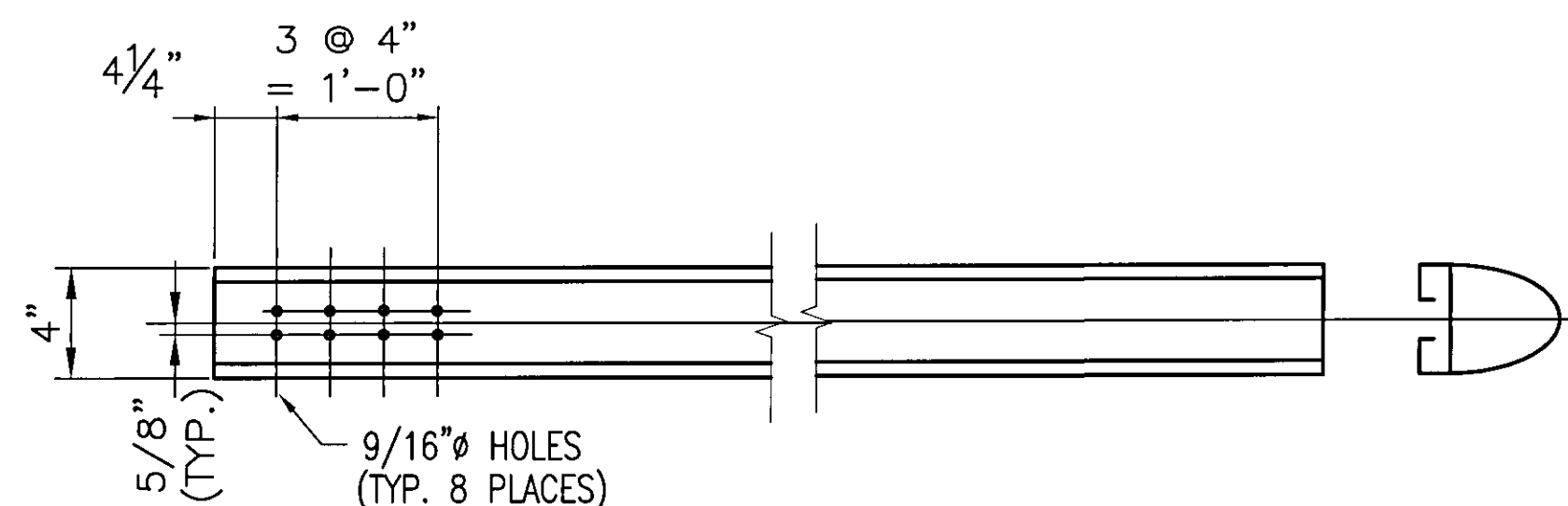


ONE REQ'D. ~ RAIL 'MB5'  
(BACK ELEVATION VIEW)

ONE REQ'D. ~ RAIL 'BB5'  
(BACK ELEVATION VIEW)

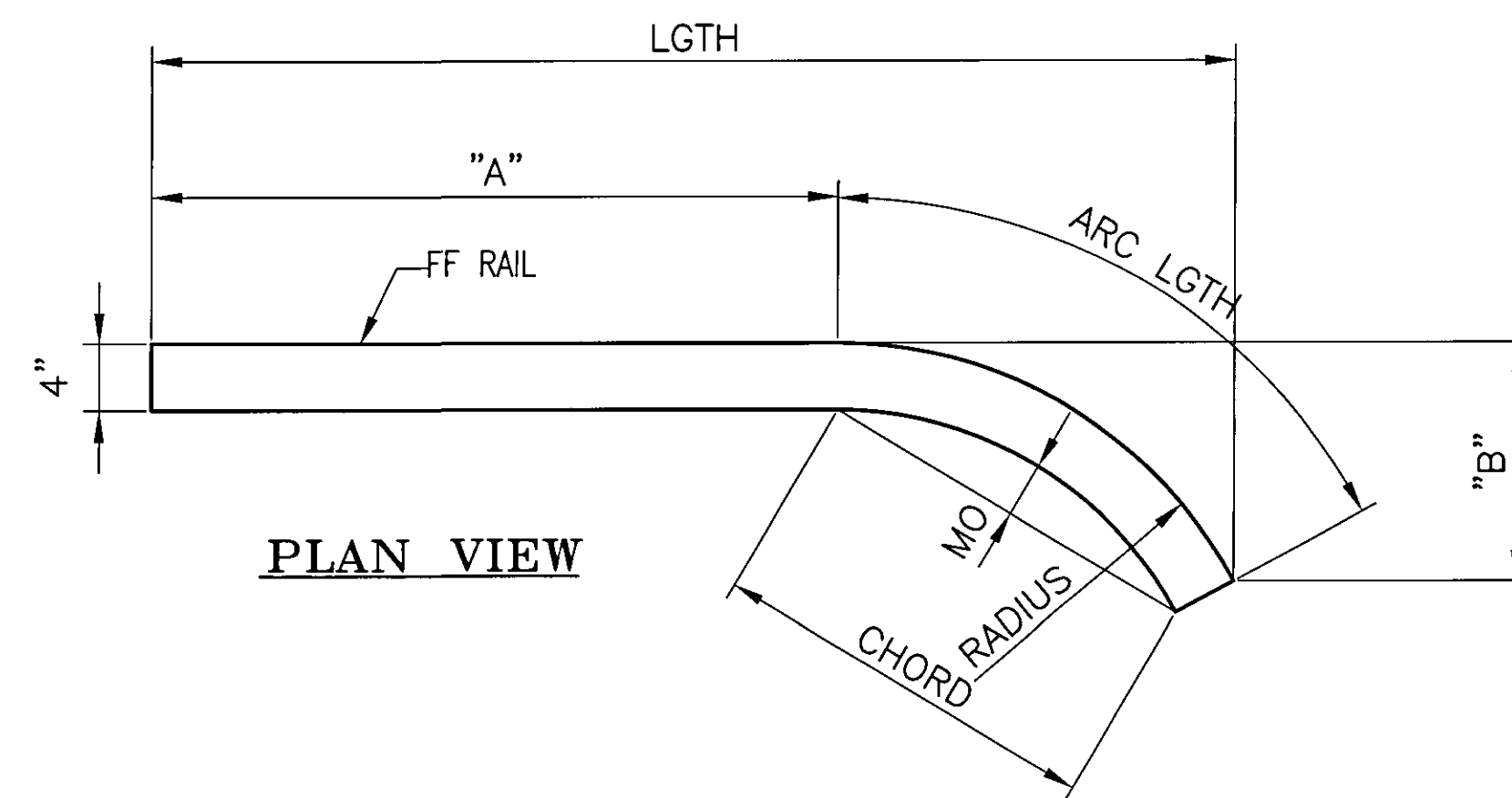


PLAN VIEW

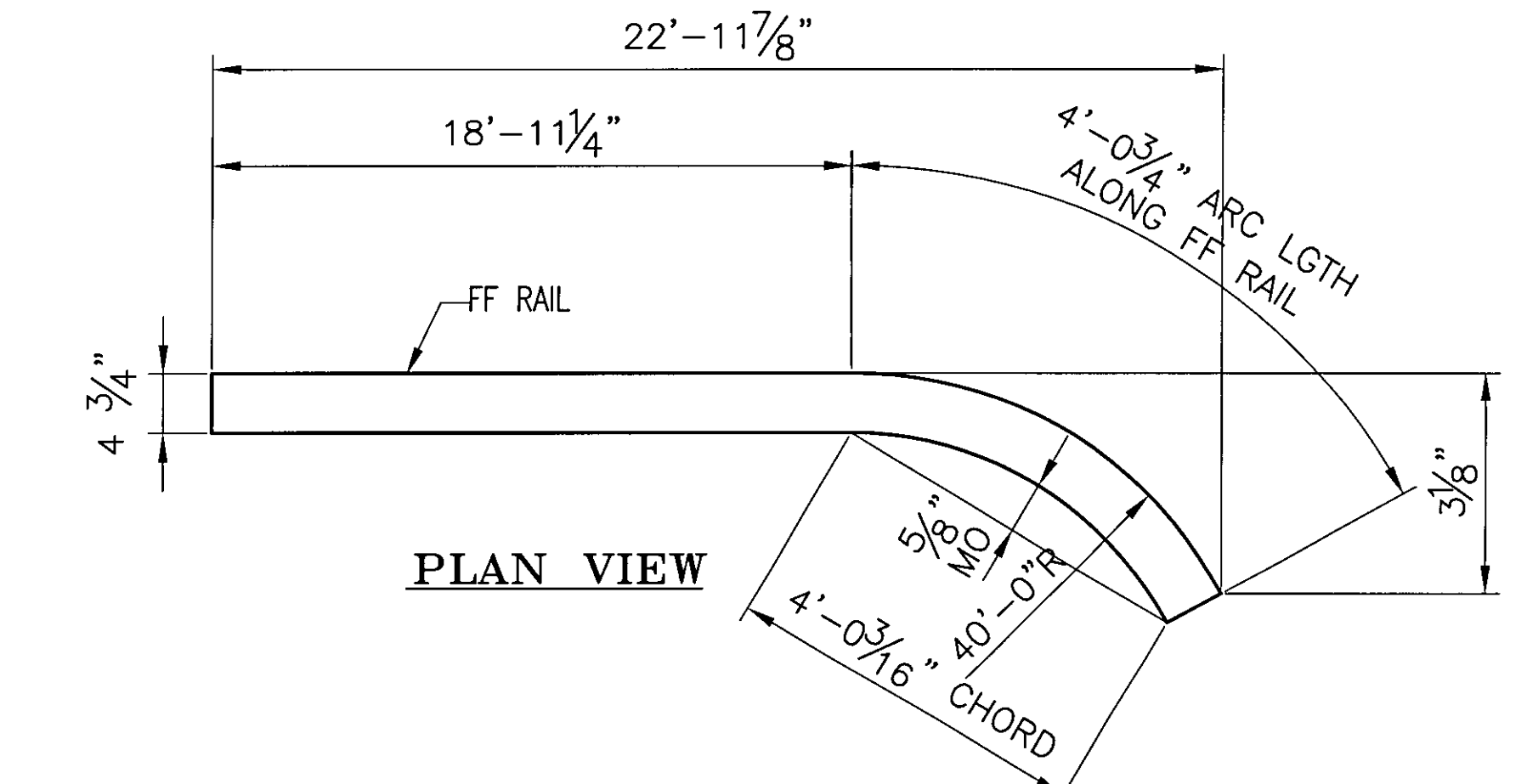


1 ONE REQ'D. ~ BENT RAIL 'MB6'  
(BACK ELEVATION VIEW)(FINISHED LGTH ALONG FF RAIL = 16'-8 1/2" + 2'-6" FOR SHOP BENDING)

1 ONE REQ'D. ~ BENT RAIL 'BB6'  
(BACK ELEVATION VIEW)(FINISHED LGTH ALONG FF RAIL = 16'-9 15/16" + 2'-6" FOR SHOP BENDING)



PLAN VIEW



PLAN VIEW

ONE REQ'D. ~ BENT RAIL 'MA2'  
(BACK ELEVATION VIEW)(FINISHED LGTH ALONG FF RAIL = 23'-0" + 2'-6" FOR SHOP BENDING)

ONE REQ'D. ~ BENT RAIL 'BA2'  
(BACK ELEVATION VIEW)(FINISHED LGTH ALONG FF RAIL = 23'-0" + 2'-6" FOR SHOP BENDING)

BENT TOP RAILS										MATL FOR BENDING
MK.	QTY	OAL (ALONG FF RAIL)	ARC LGTH	LGTH	"A"	"B"	MO	CHORD	RADIUS	
TA2	1	22'-11 13/16"	4'-0 11/16"	22'-11 13/16"	18'-11 5/16"	3 1/8"	5/8"	4'-0 3/16"	39'-11 1/4"	+2'-6"
TB6	1	16'-7 3/16"	3'-8 9/16"	16'-4 5/16"	12'-10 5/8"	1'-1 7/16"	3 1/4"	3'-5 5/16"	5'-11 1/4"	+2'-6"

**ANODIZED**  
(SEE NOTES ON LB5)

Accepted	<input checked="" type="checkbox"/>
Accepted as Noted	<input type="checkbox"/>
Accepted Noted Resubmit	<input type="checkbox"/>
Rejected, Revise Resubmit	<input type="checkbox"/>
Rejected - Unacceptable	<input type="checkbox"/>

Checking is only for conformance with the design concept of the Project and compliance with the information given in the Contract Documents. The Engineer assumes no liability for errors or omissions that may be contained herein. The Contractor, by approving and submitting these documents, verifies their accuracy as stipulated on the Contractors Shop Drawing Stamp.

DUBOIS AND KING  
Date 9/25/09 By ZPD

BRIDGE No. 7  
ITEM No. 900.640  
PROJECT No. BHF 6000 (15) S

APPROVED: \_\_\_\_\_ REC'D APPROVAL \_\_\_\_\_  
DRAWING \_\_\_\_\_

**L.B. FOSTER COMPANY**  
1016 GREENTREE ROAD  
PITTSBURGH, PENNSYLVANIA 15220

FOR: F. R. LAFAYETTE, INCORPORATED  
VERMONT AGENCY OF TRANSPORTATION  
CITY OF BARRE, COUNTY OF WASHINGTON  
BRIDGE RAILING FOR PROSPECT ST. OVER STEVENS BRANCH  
3-LINE ALUM BRIDGE RAIL ~ MISC RAIL DETAILS

REV.	DESCRIPTION	BY	DATE
1	REVISED PER APPROVER MARKUP	CMS	09/13/09
MADE	CMS DATE 08/10/09	JOB No.	AR0569
CUST. No.		CHECK	BLJ DATE 08/17/09 DRAWING LB22
REV. No.	ONE		