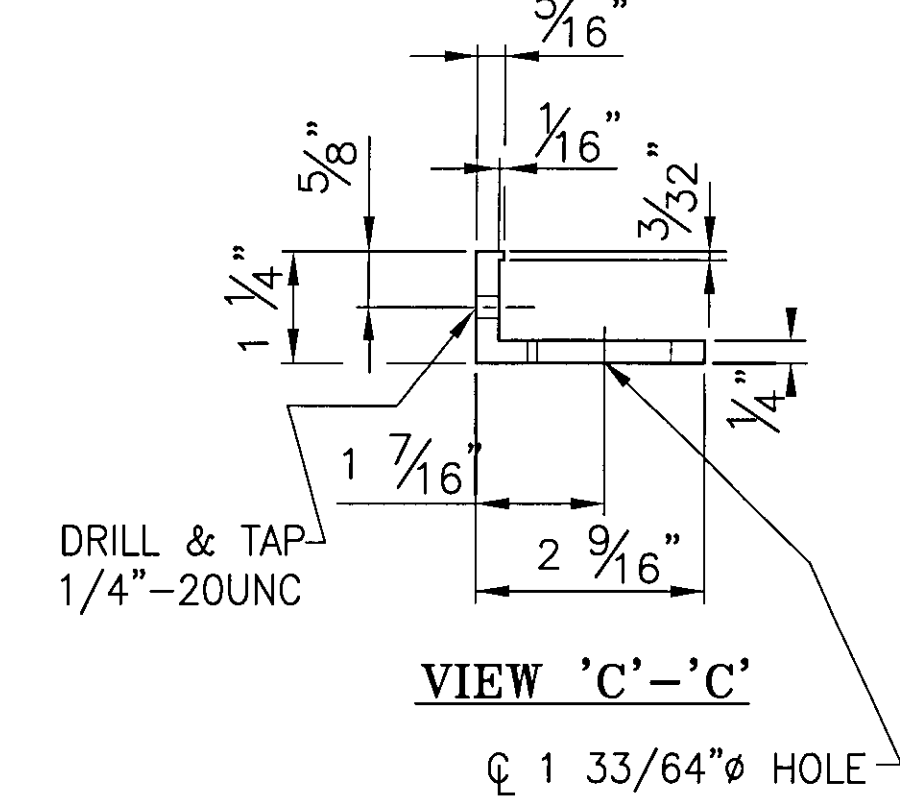
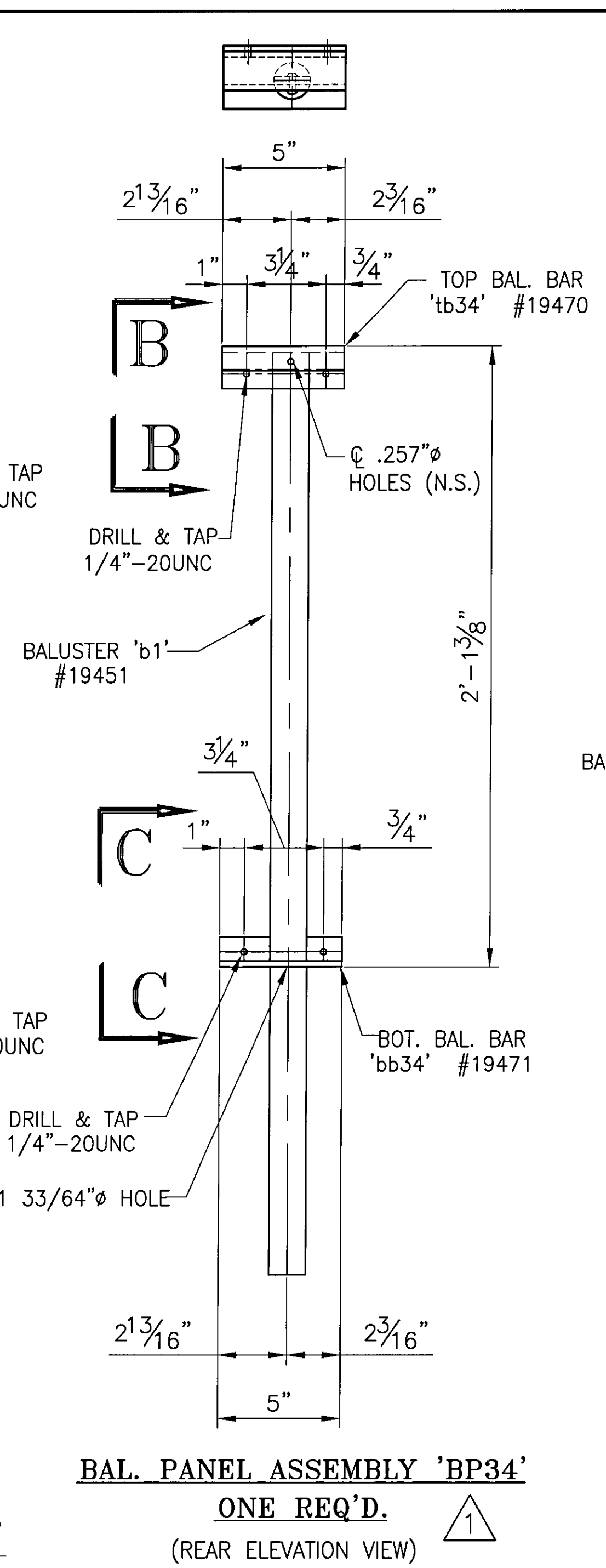


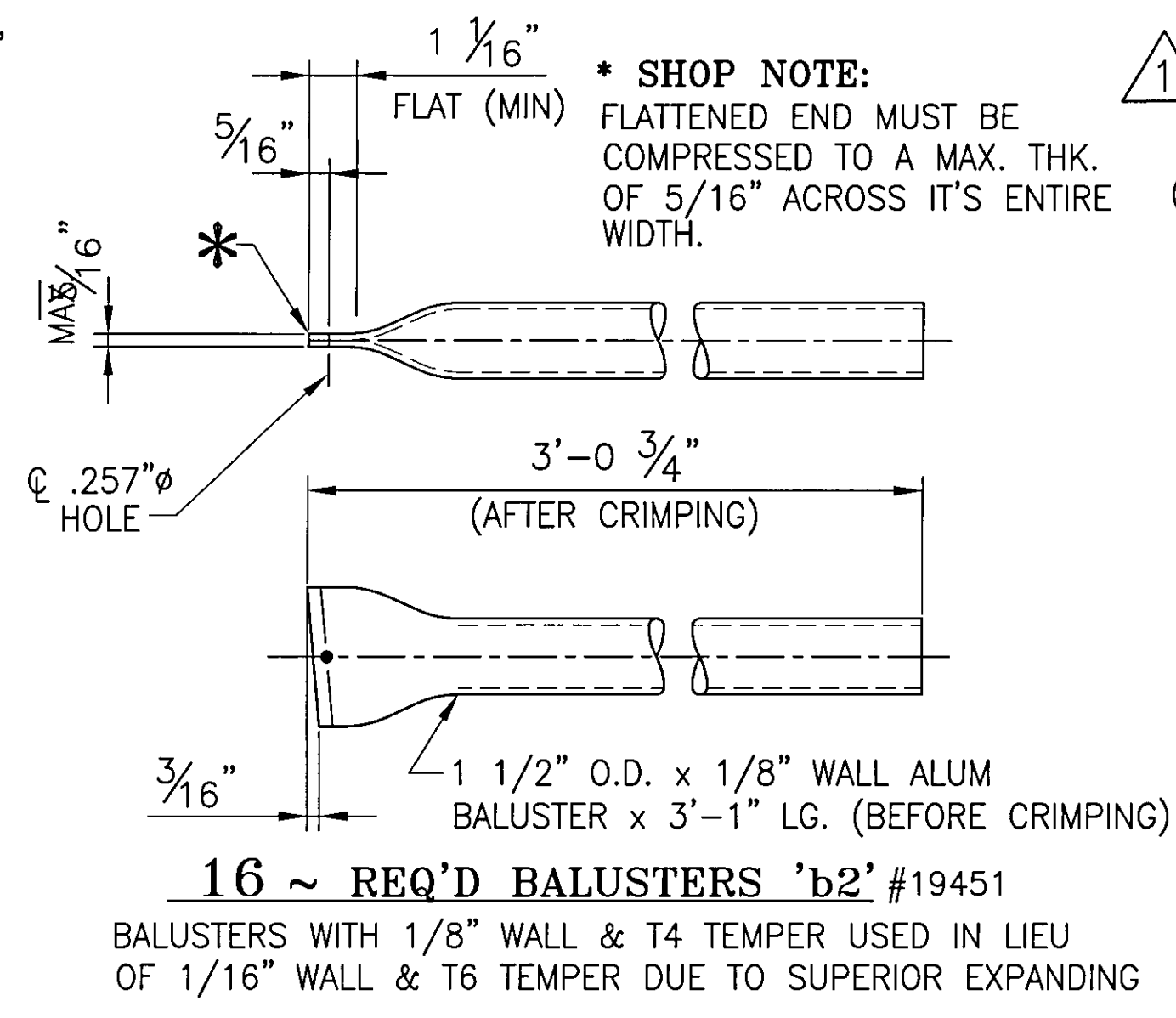
**4 REQ'D. ~ BALUSTER PANEL ASSEMBLY 'BP25'**  
(REAR ELEVATION VIEW - BALUSTER PANEL BP25)



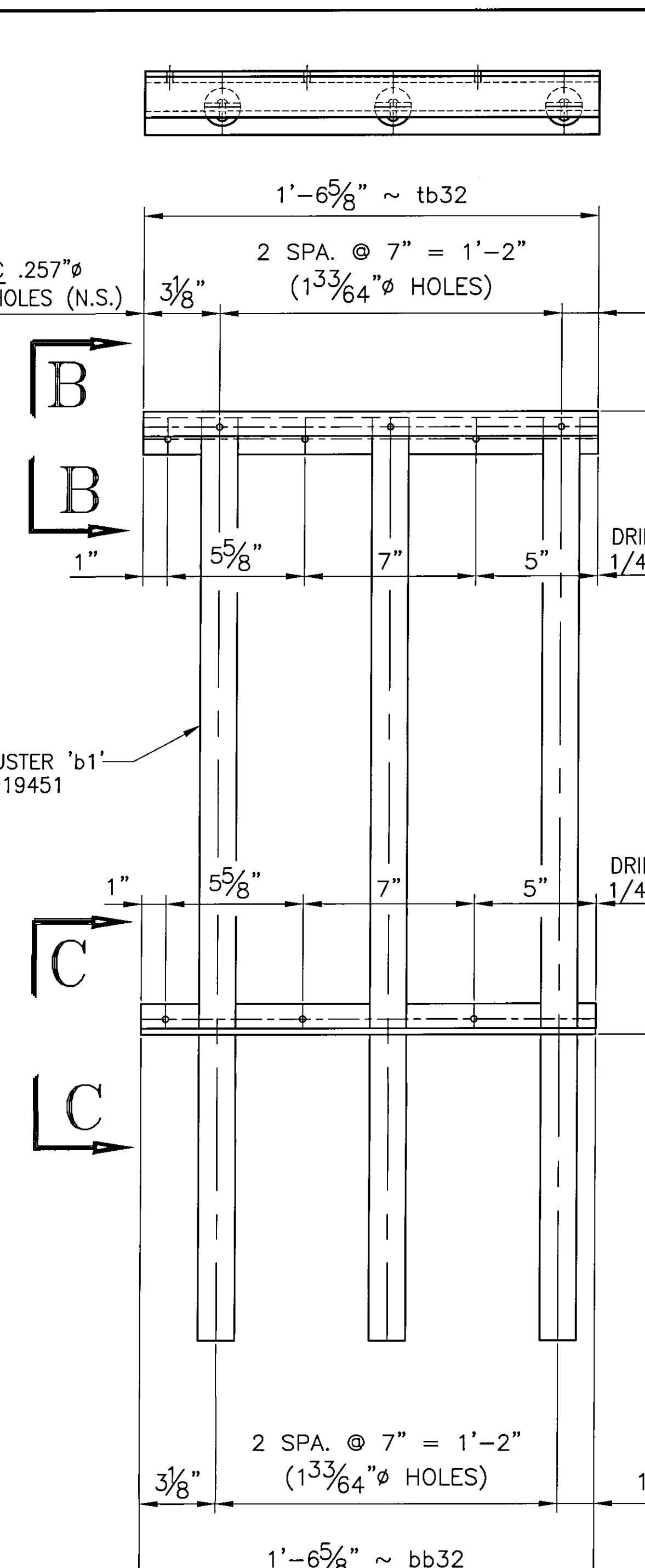
**VIEW 'C-C'**



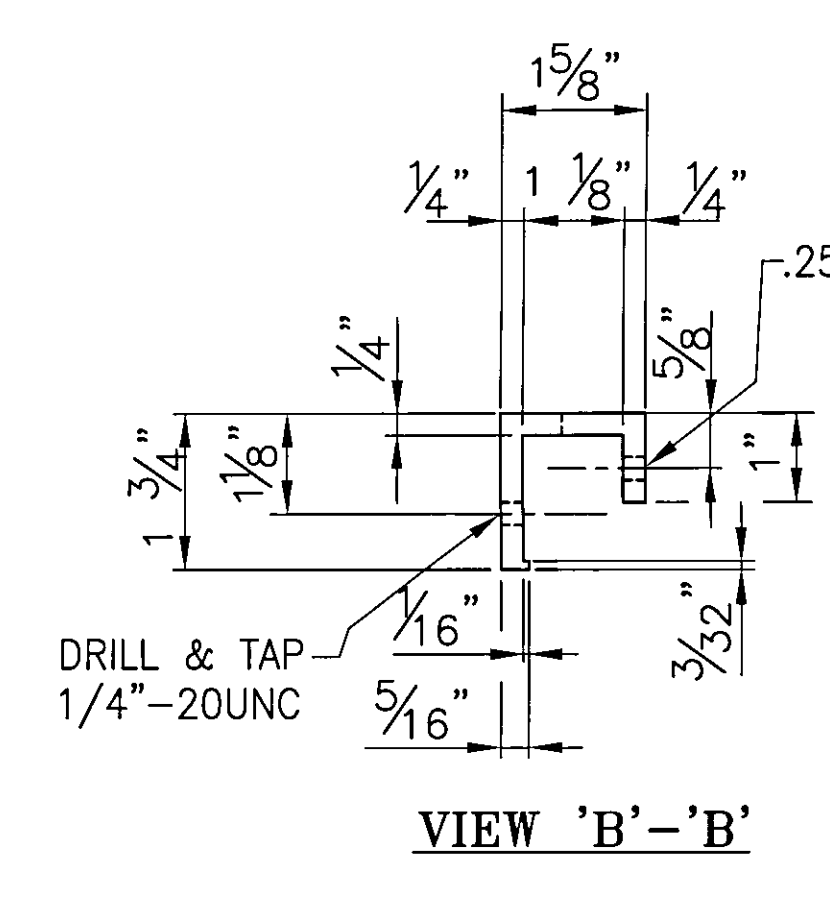
**BAL. PANEL ASSEMBLY 'BP34'**  
**ONE REQ'D.**  
(REAR ELEVATION VIEW)



**16 ~ REQ'D BALUSTERS 'b2' #19451**  
BALUSTERS WITH 1/8\"/>

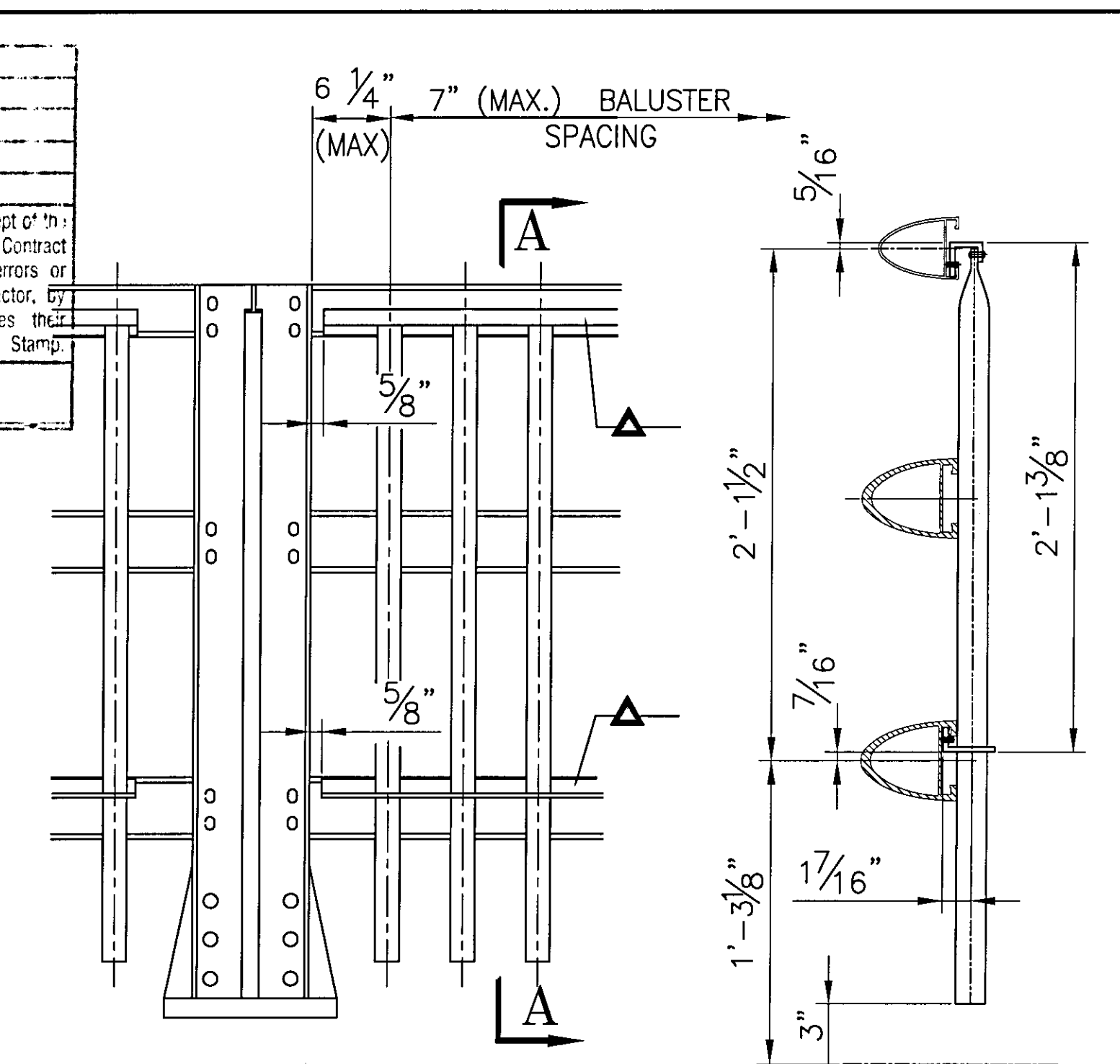


**BAL. PANEL ASSEMBLY 'BP32'**  
**ONE REQ'D.**  
(REAR ELEVATION VIEW - BALUSTER PANEL BP32)



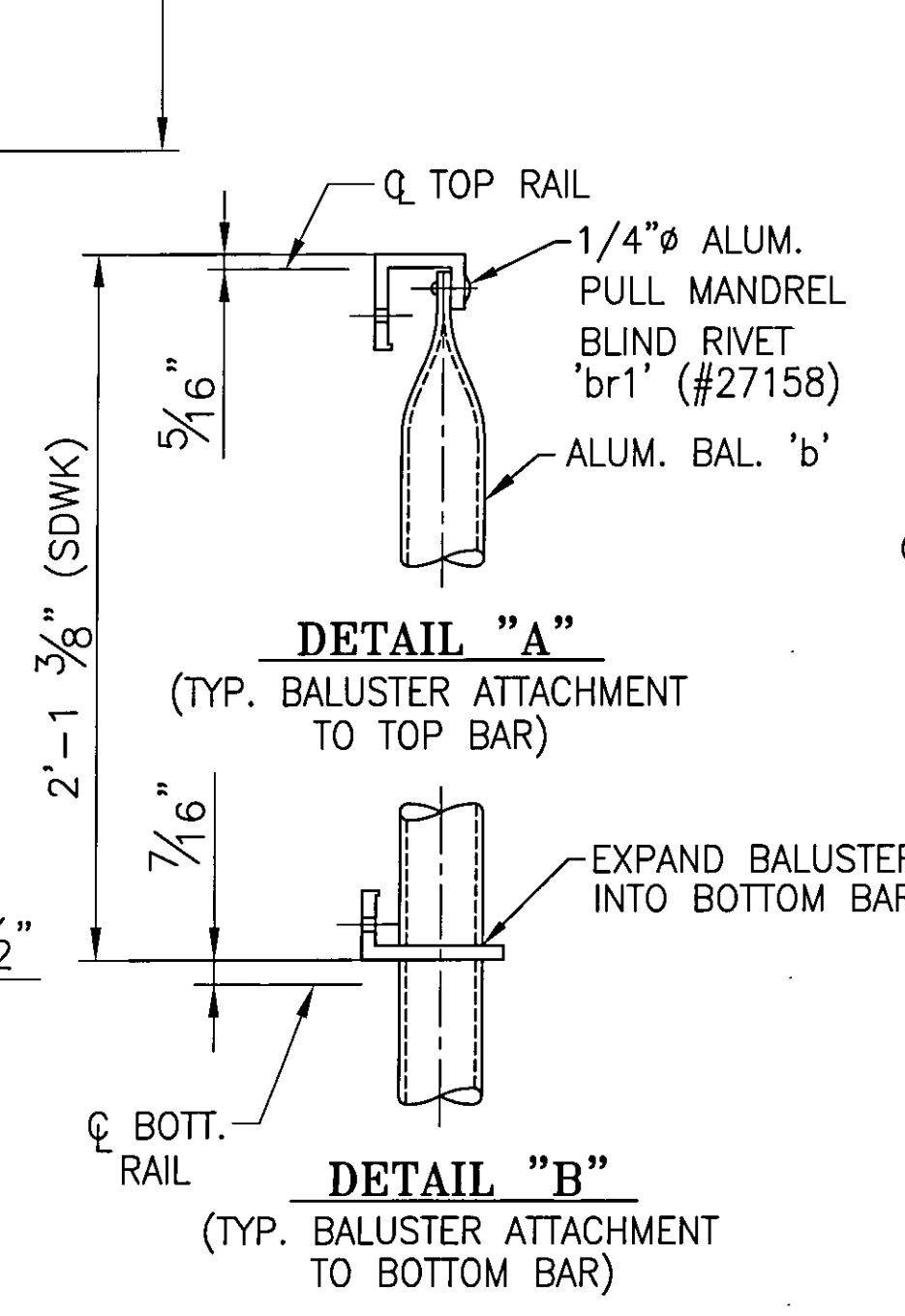
**VIEW 'B-B'**

Accepted	
Accepted as Noted	
Accepted Noted Resubmit	
Rejected - Revise Resubmit	
Rejected - Unacceptable	
Checking is only for performance with the design concept of this Project and compliance with the information given in the Contract Documents. The Engineer assumes no liability for errors or omissions that may be contained herein. The Contractor, by approving and submitting these documents, verifies the accuracy as stipulated on the Contractor's Shop Drawing Stamp.	
Date: 9/25/09	DuBOIS AND KING By: ZPD

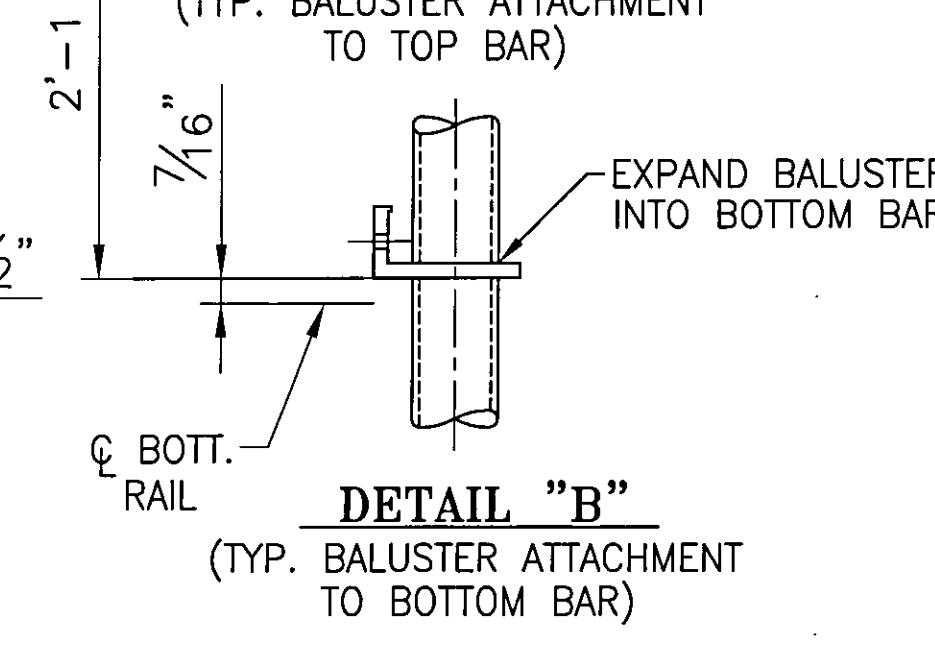


**TYPICAL ELEVATION**

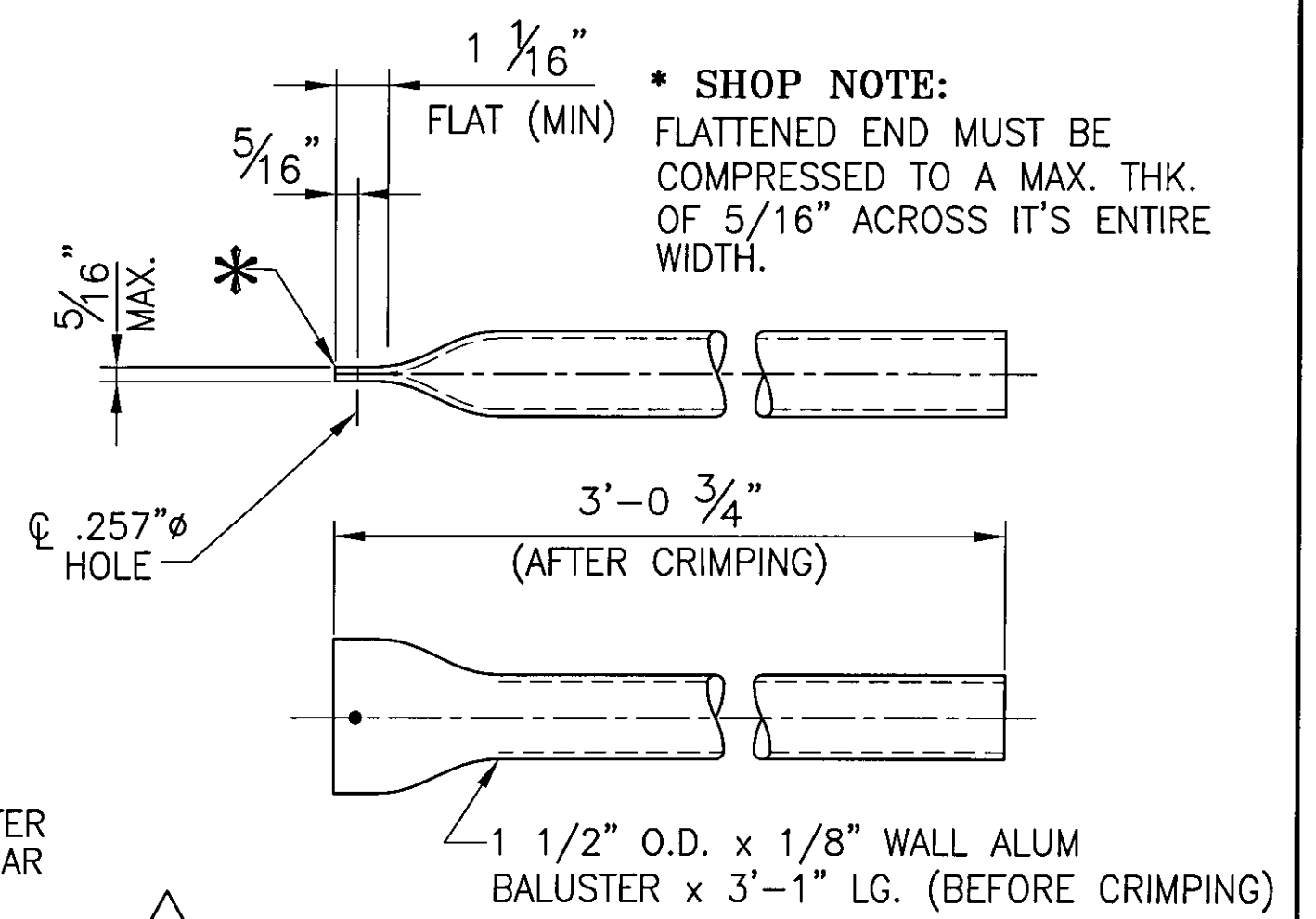
▲ 1/4\"/>



**DETAIL 'A'**  
(TYP. BALUSTER ATTACHMENT TO TOP BAR)



**DETAIL 'B'**  
(TYP. BALUSTER ATTACHMENT TO BOTTOM BAR)



**\* SHOP NOTE:**  
FLATTENED END MUST BE COMPRESSED TO A MAX. THK. OF 5/16\"/>

▲ 4 ~ REQ'D BALUSTERS 'b1' #19451  
BALUSTERS WITH 1/8\"/>

NOTE: FOR GEN. NOTES AND TYP. DETAILS SEE DWG LB5  
FOR RAILING ELEVATION SEE DWG LB7 - LB9

**ANODIZED**  
(SEE LB5 FOR SPECS.)

BRIDGE No. 7  
PROJECT No. BHF 6000 (15) S  
ITEM No: 900.640

APPROVED: _____		REC'D APPROVAL _____
DRAWING _____		DRAWING _____
<b>L.B. FOSTER COMPANY</b> 1016 GREENTREE ROAD PITTSBURGH, PENNSYLVANIA 15220		
FOR: F. R. LAFAYETTE, INCORPORATED VERMONT AGENCY OF TRANSPORTATION		
CITY OF BARRE, COUNTY OF WASHINGTON		
BRIDGE RAILING FOR PROSPECT ST. OVER STEVENS BRANCH		
3L ALUM BRIDGE RAILING ~ BALUSTER PANEL DETAILS		
MADE CMS DATE 08/07/09 JOB No. ARO569 CUST. No. _____	CHECK: BLJ DATE 08/17/09 DRAWING LB21 REV. No. ONE	

1	GENERAL REVISION PER APPROVAL COMMENTS	CMS	09/12/09
REV.	DESCRIPTION	BY	DATE