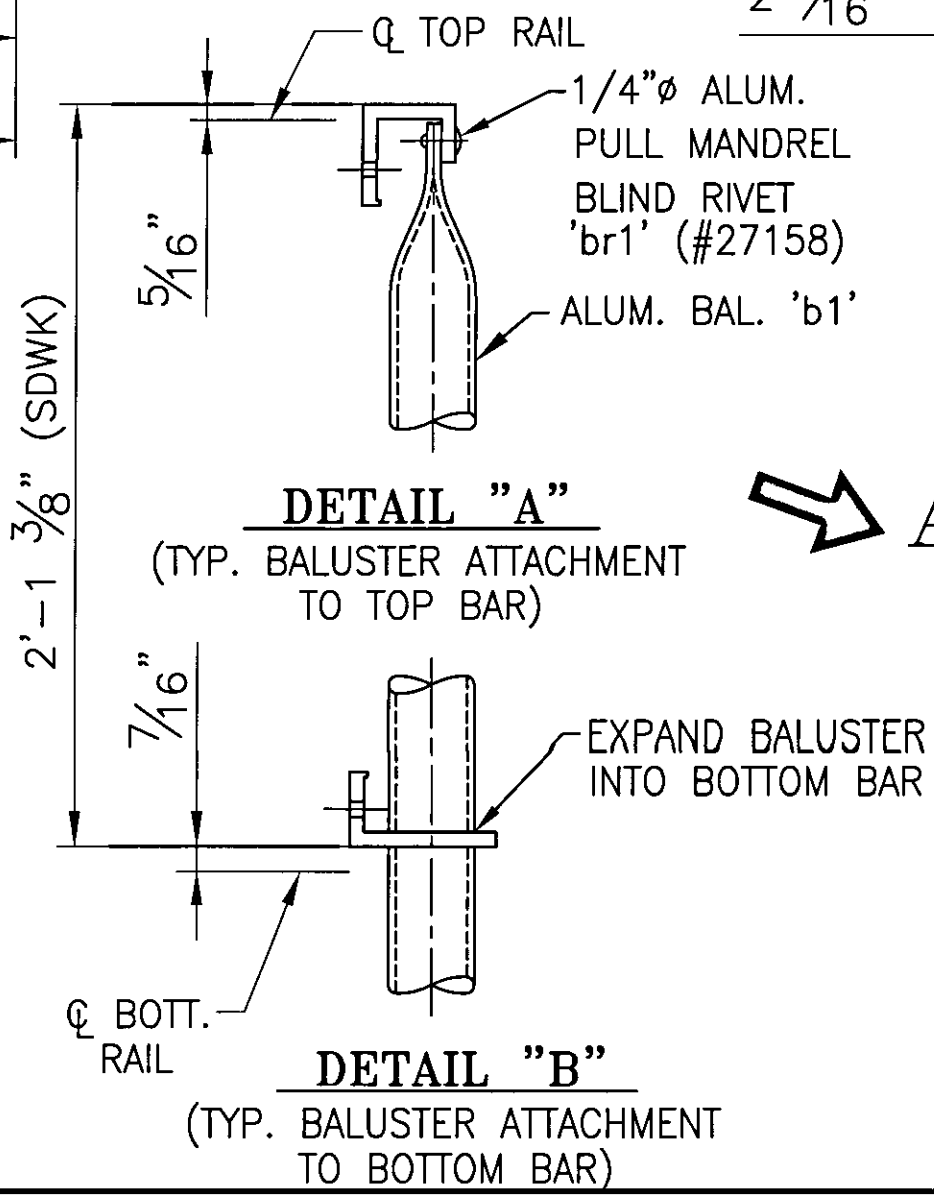
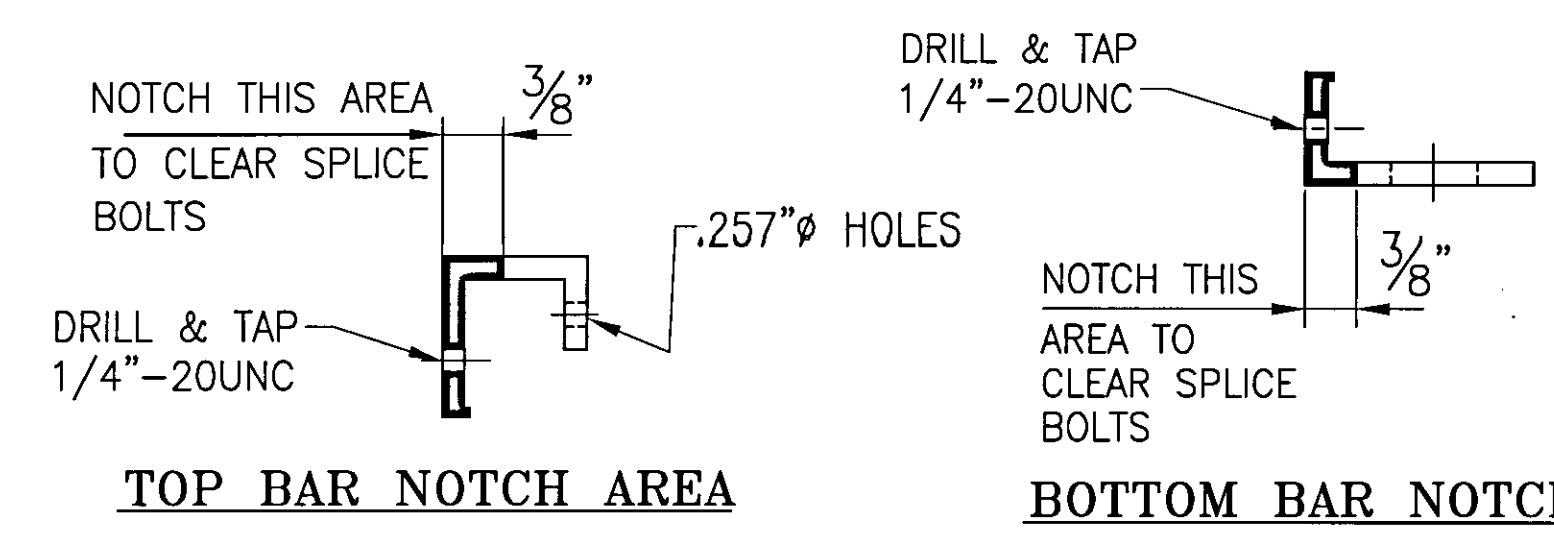
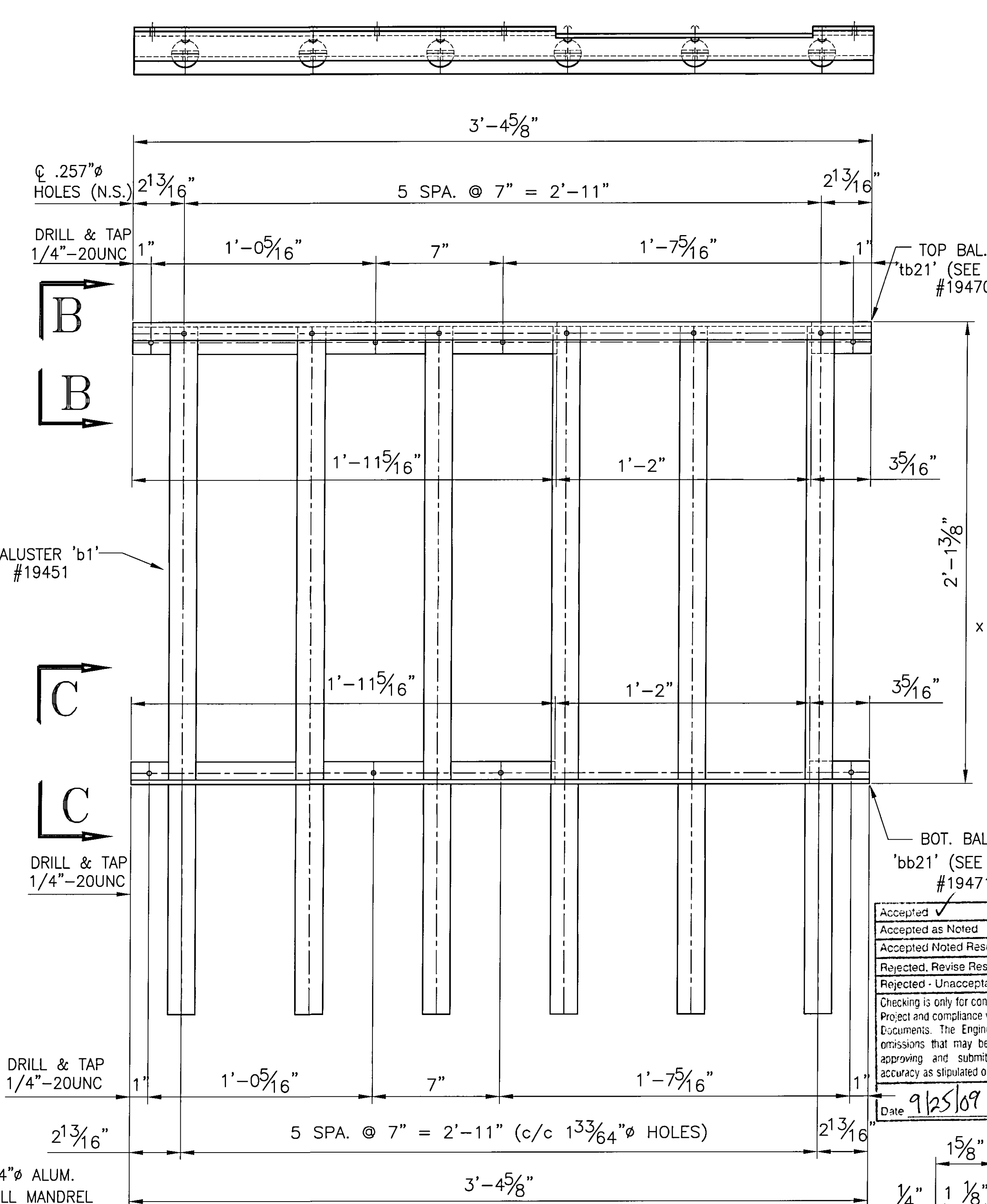


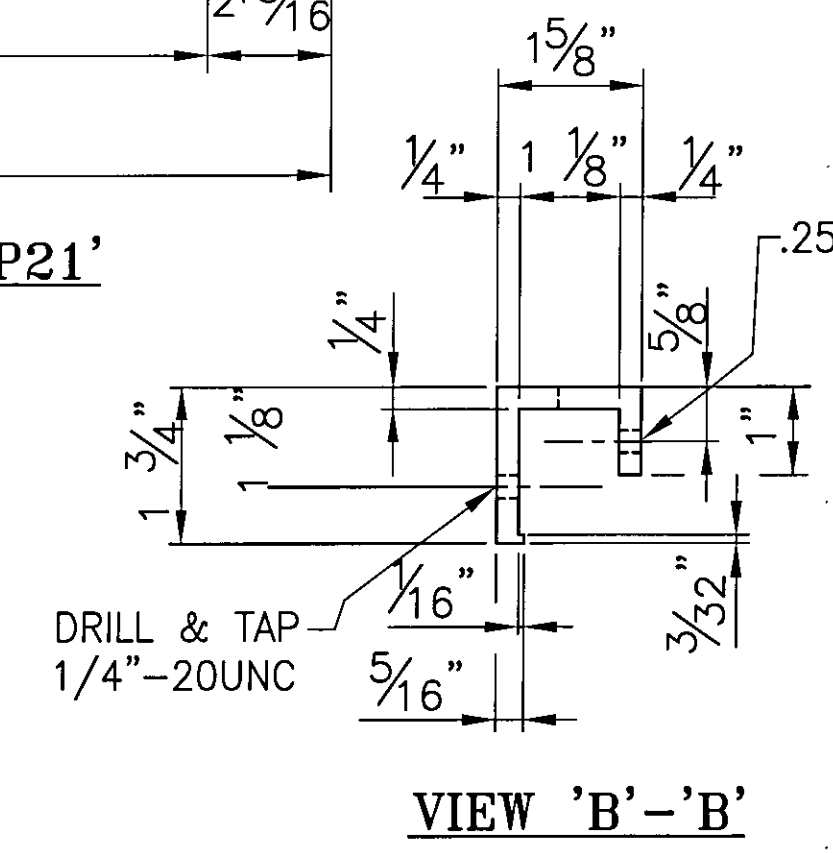
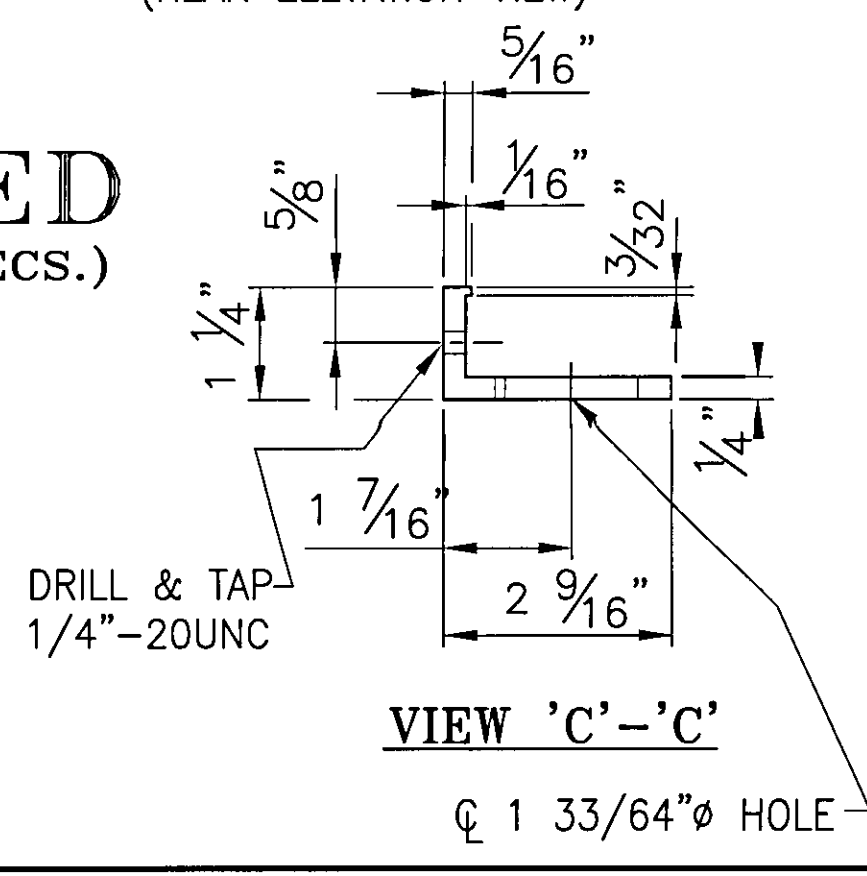
1 ONE REQ'D. ~ BALUSTER PANEL ASSEMBLY 'BP20'
(REAR ELEVATION VIEW)



ANODIZED
(SEE LB5 FOR SPECS.)



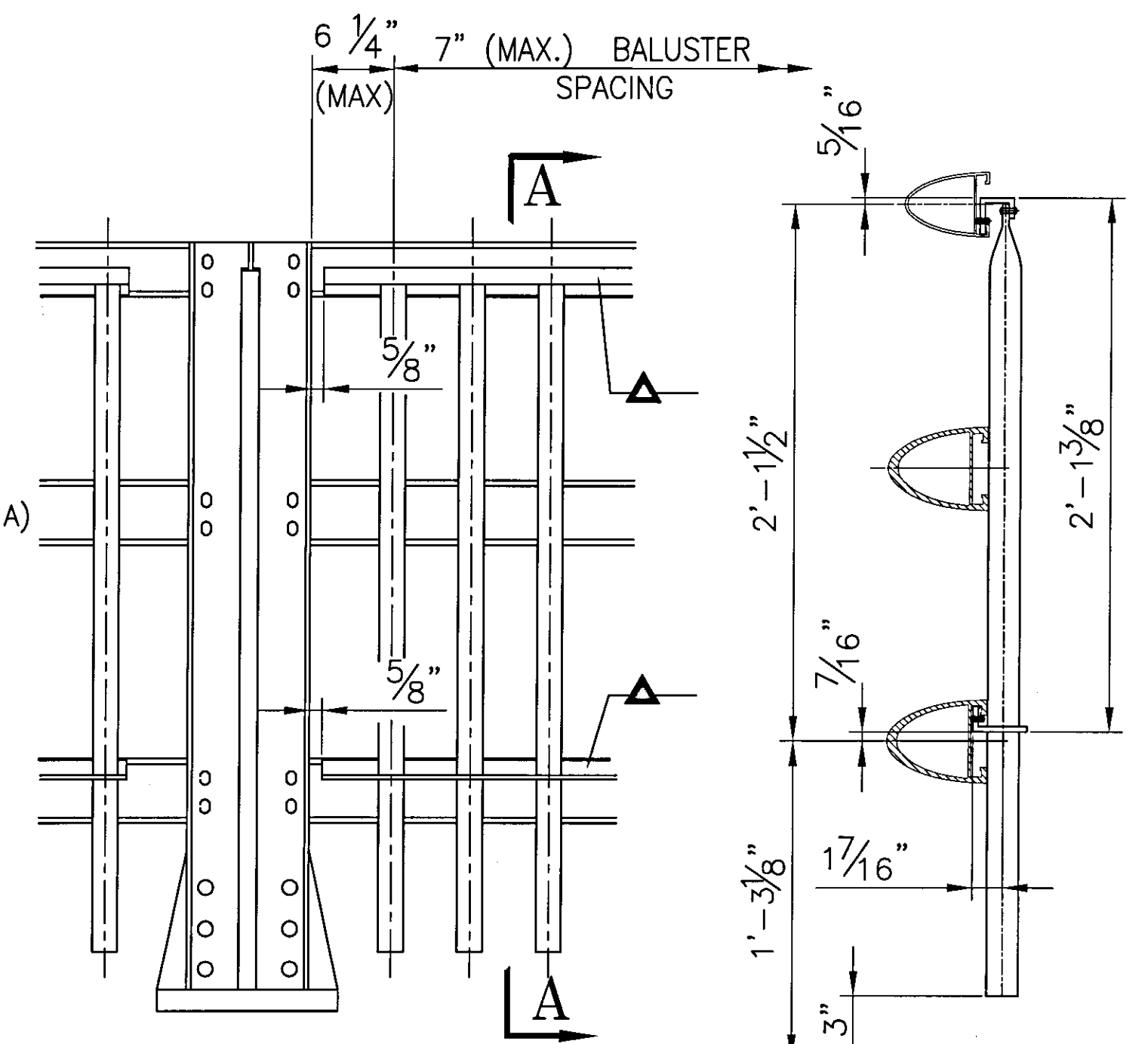
1 ONE REQ'D. ~ BALUSTER PANEL ASSEMBLY 'BP21'
(REAR ELEVATION VIEW)



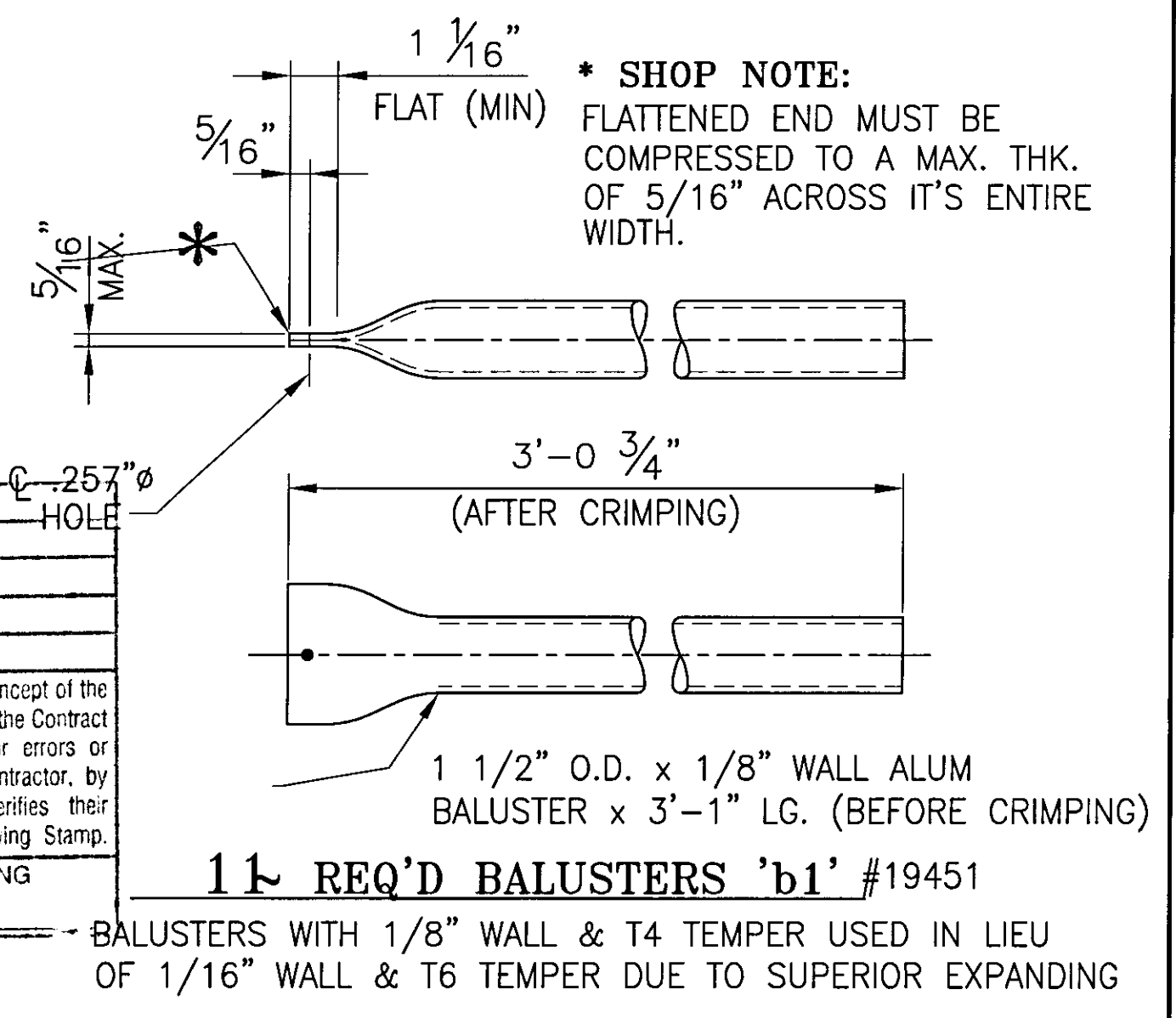
Accepted
Accepted as Noted
Accepted Noted Resubmit
Rejected, Revise Resubmit
Rejected - Unacceptable

Checking is only for conformance with the design concept of the Project and compliance with the information given in the Contract Documents. The Engineer assumes no liability for errors or omissions that may be contained herein. The Contractor, by approving and submitting these documents, verifies their accuracy as stipulated on the Contractor's Shop Drawing Stamp.

Date: 9/25/09
DUBOIS AND KING
By: ZPD



TYPICAL ELEVATION
▲ 1/4"-20UNC S.S. SOCKET SET SCREW x 1/2" LG. 'SS1' #22079, SCREW EVERY OTHER SPACE BETWEEN BALUSTERS IF POSSIBLE



NOTE: FOR GEN. NOTES AND TYP. DETAILS SEE DWG LB5
FOR RAILING ELEVATION SEE DWG LB7 - LB9

BRIDGE No. 7
PROJECT No. BHF 6000 (15) S
ITEM No: 900.640

APPROVED: _____ REC'D APPROVAL _____
DRAWING

L.B. FOSTER COMPANY
1016 GREENTREE ROAD
PITTSBURGH, PENNSYLVANIA 15220

FOR: F. R. LAFAYETTE, INCORPORATED
VERMONT AGENCY OF TRANSPORTATION
CITY OF BARRE, COUNTY OF WASHINGTON
BRIDGE RAILING FOR PROSPECT ST. OVER STEVENS BRANCH
3L ALUM BRIDGE RAILING ~ BALUSTER PANEL DETAILS

REV.	DESCRIPTION	BY	DATE
1	GENERAL REVISION PER APPROVAL COMMENTS	CMS	09 13 09

MADE CMS DATE 08/07/09 JOB No. AR0569 CUST. No.
CHECK BLJ DATE 08/17/09 DRAWING LB20 REV. No. ONE