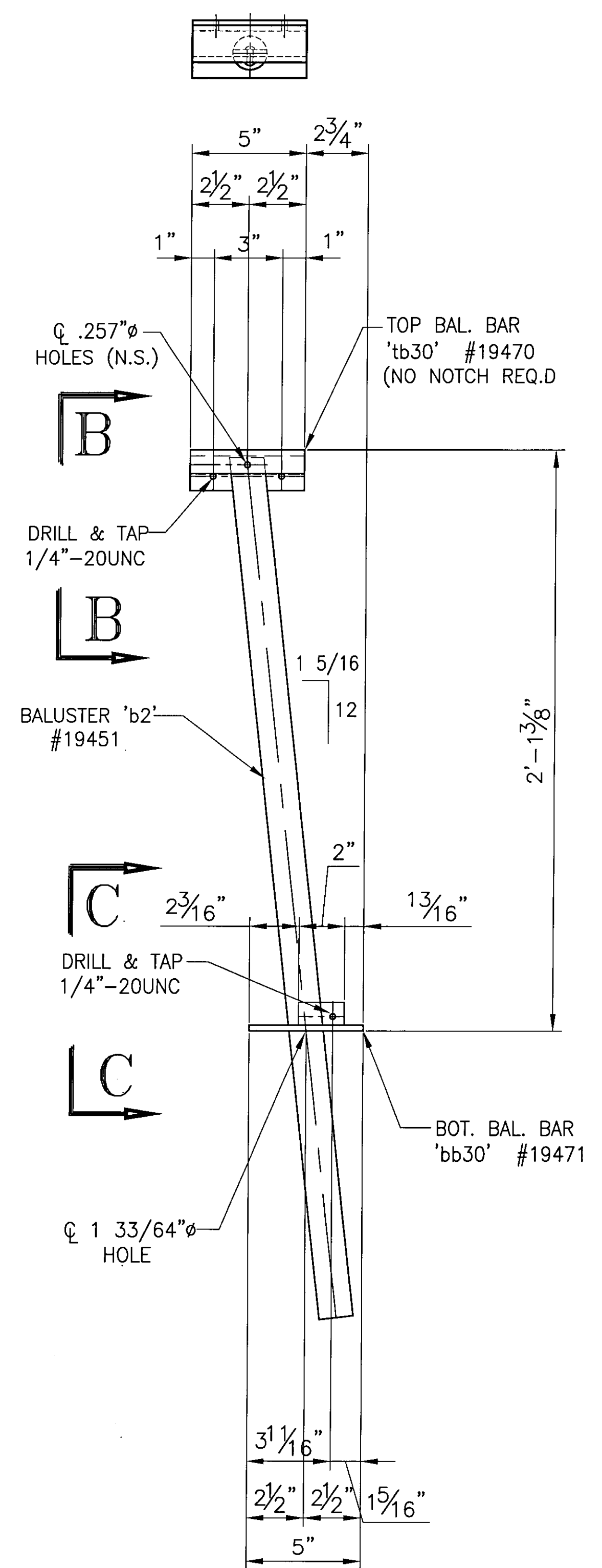
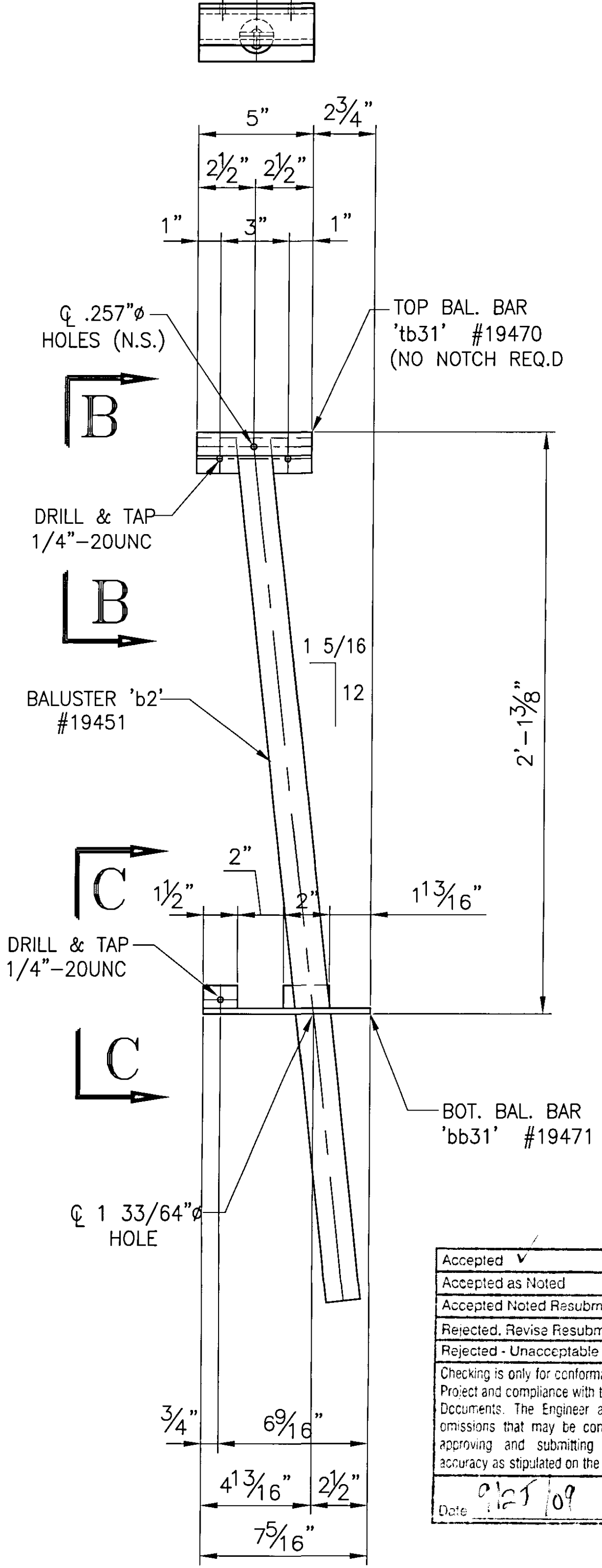


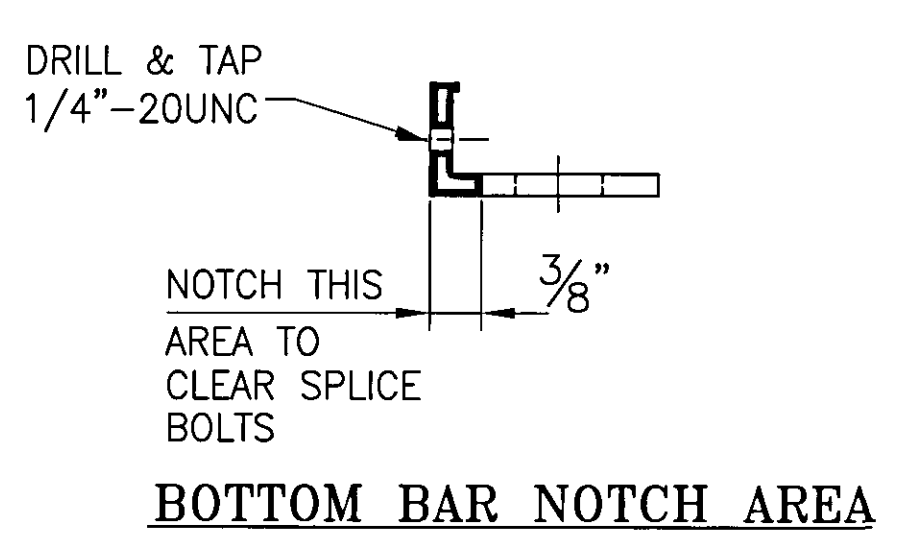
1 ONE REQ'D. ~ BALUSTER PANEL  
ASSEMBLY 'BP29'  
(REAR VIEW)



1 ONE REQ'D. ~ BALUSTER PANEL  
ASSEMBLY 'BP30'  
(REAR VIEW)



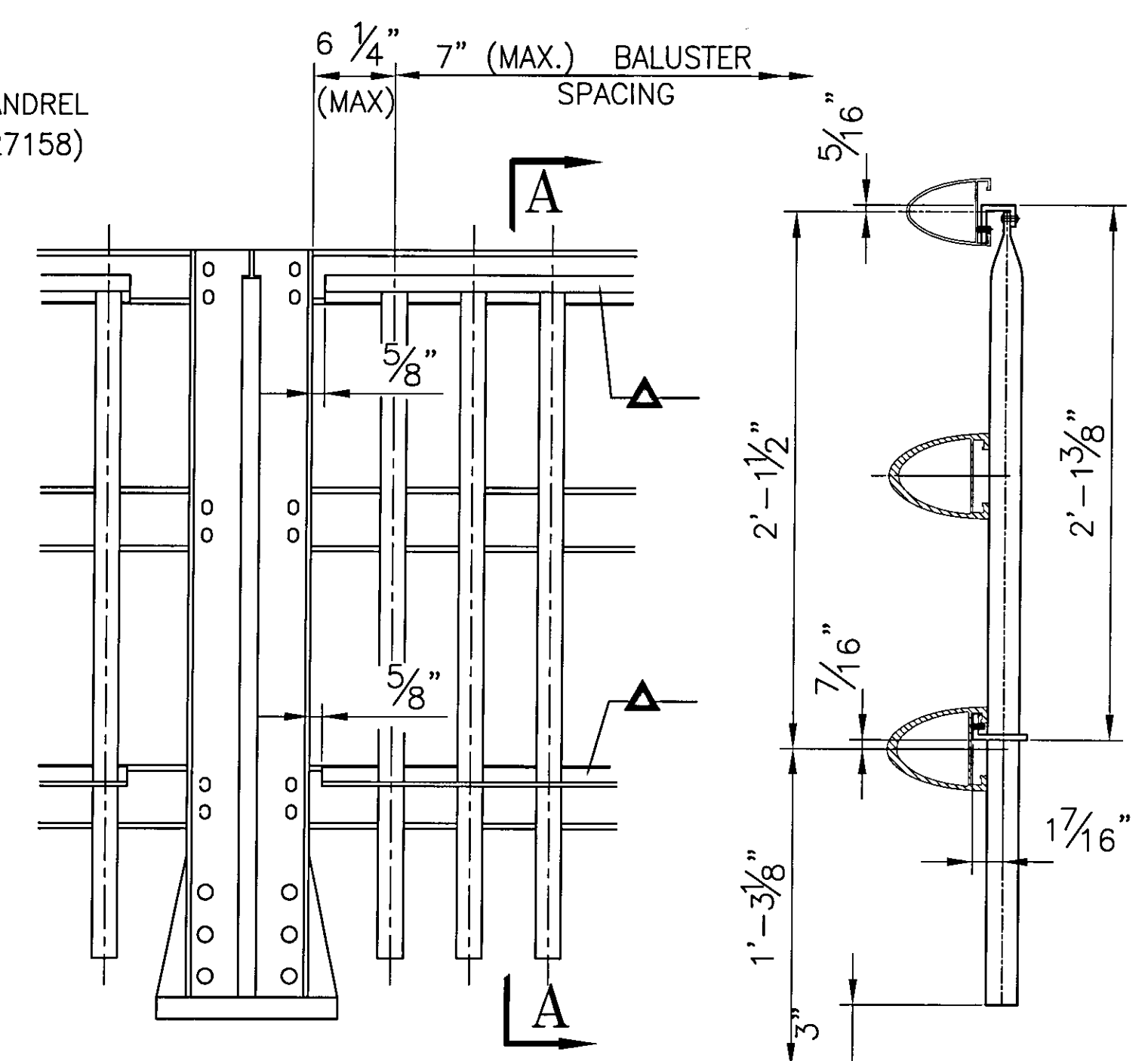
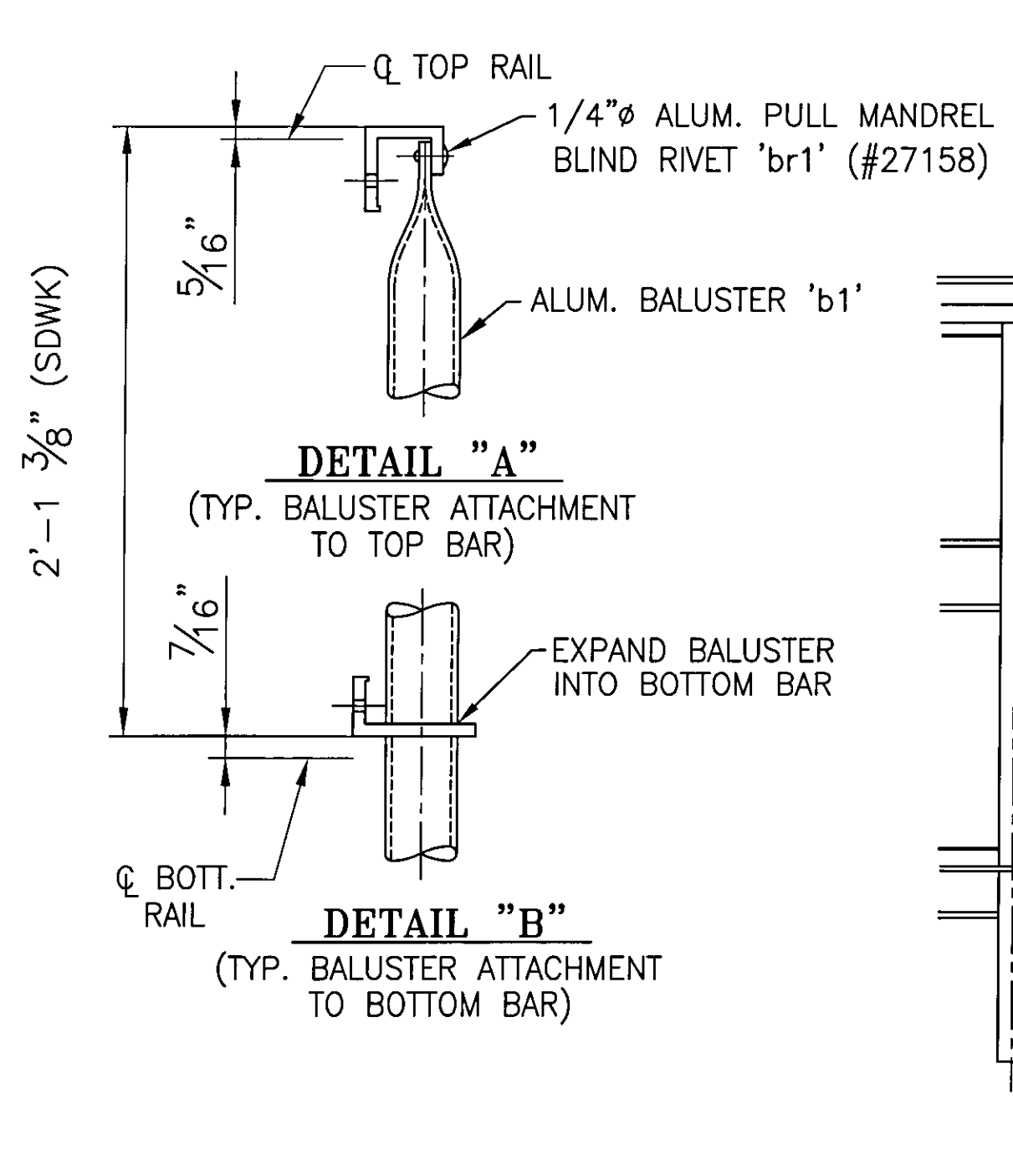
1 ONE REQ'D. ~ BALUSTER PANEL  
ASSEMBLY 'BP31'  
(REAR VIEW)



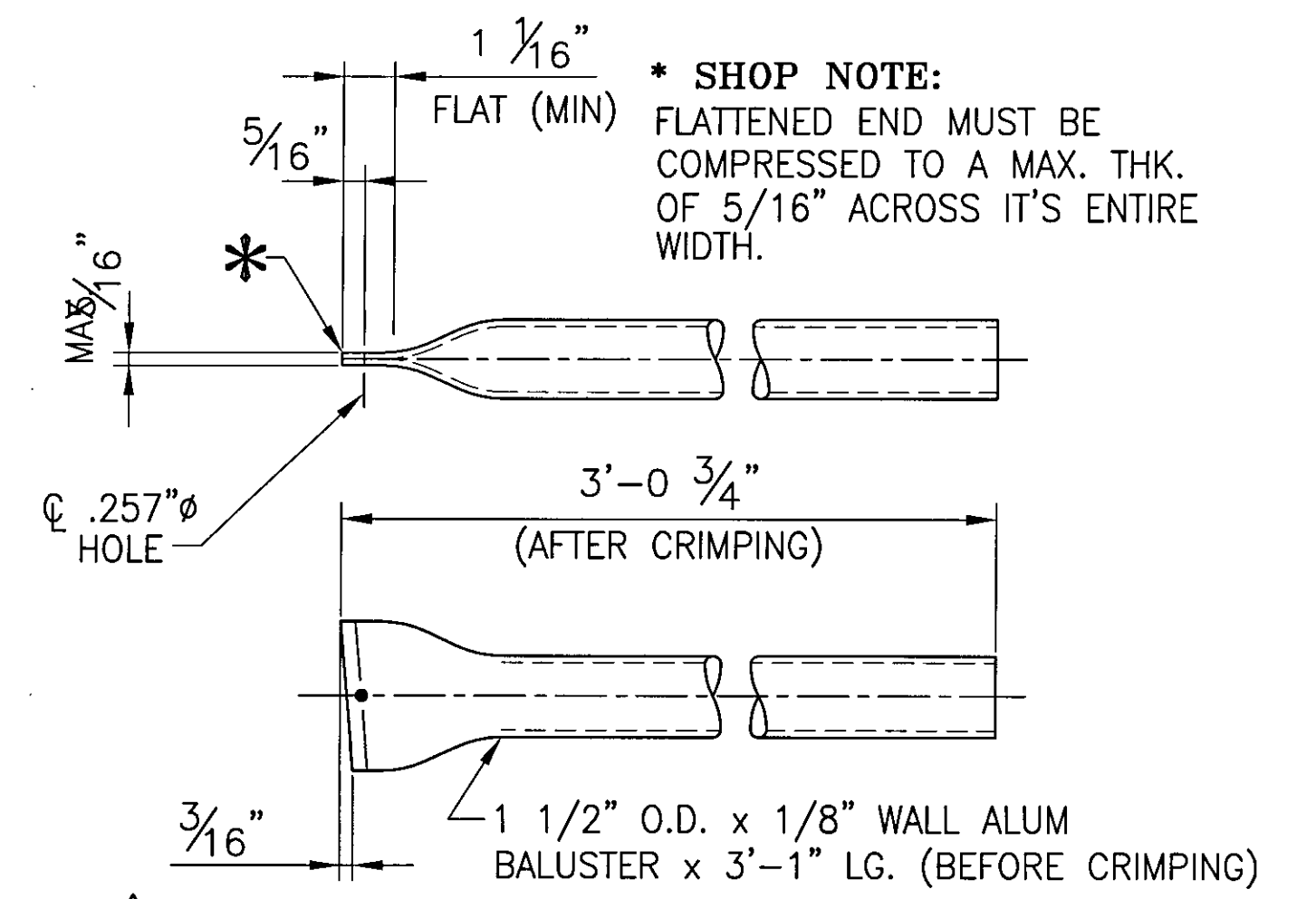
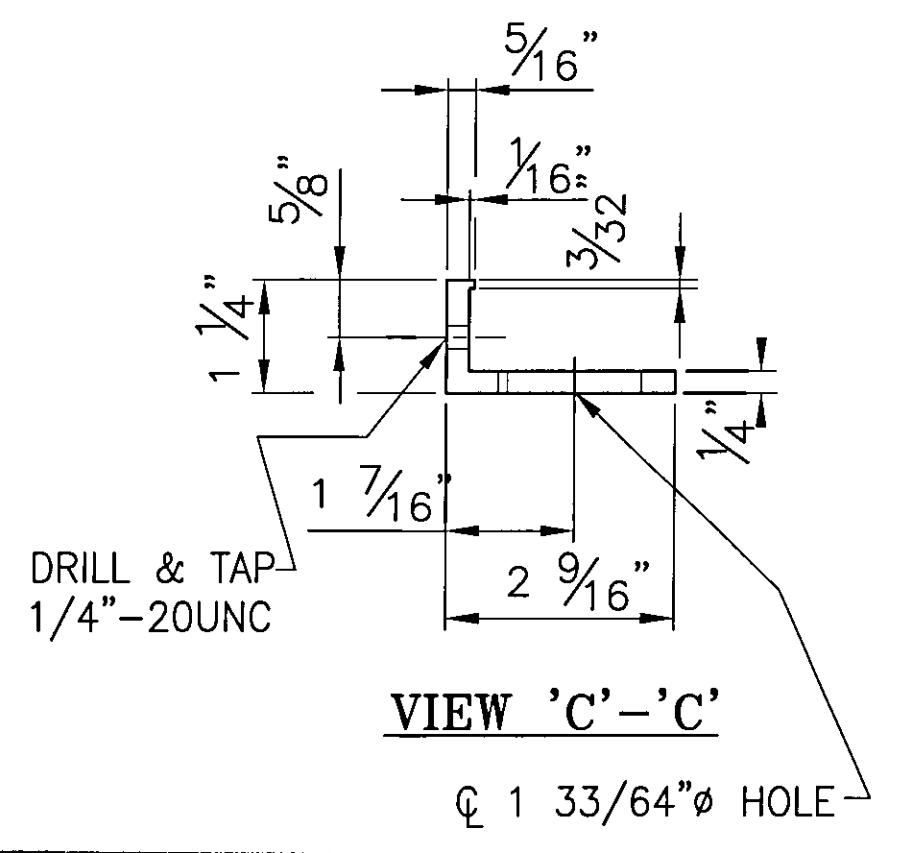
Accepted	✓
Accepted as Noted	
Accepted Noted Resubmit	
Rejected, Revise Resubmit	
Rejected - Unacceptable	

Checking is only for conformance with the design concept of the Project and compliance with the information given in the Contract Documents. The Engineer assumes no liability for errors or omissions that may be contained herein. The Contractor, by approving and submitting these documents, verifies their accuracy as stipulated on the Contractor's Shop Drawing Stamp.

Date: 08/07/09 DuBOIS AND KING  
By: ZPD



1/4"-20UNC S.S. SOCKET SET SCREW  
x 1/2" LG. 'SS1' #22079, SCREW EVERY OTHER SPACE  
BETWEEN BALUSTERS IF POSSIBLE



3 ~ REQ'D BALUSTERS 'b2' #19451  
BALUSTERS WITH 1/8" WALL & T4 TEMPER USED IN LIEU  
OF 1/16" WALL & T6 TEMPER DUE TO SUPERIOR EXPANDING

NOTE: FOR GEN. NOTES AND TYP. DETAILS  
SEE DWG LB5  
FOR RAILING ELEVATION SEE DWG LB7 - LB9

BRIDGE No. 7  
PROJECT No. BHF 6000 (15) S  
ITEM No: 900.640

APPROVED: \_\_\_\_\_ REC'D APPROVAL \_\_\_\_\_  
DRAWING \_\_\_\_\_

**L.B. FOSTER COMPANY**  
1016 GREENTREE ROAD  
PITTSBURGH, PENNSYLVANIA 15220

FOR: F. R. LAFAYETTE, INCORPORATED  
VERMONT AGENCY OF TRANSPORTATION  
CITY OF BARRÉ, COUNTY OF WASHINGTON  
BRIDGE RAILING FOR PROSPECT ST. OVER STEVENS BRANCH  
3L ALUM BRIDGE RAILING ~ BALUSTER PANEL DETAILS

1	GENERAL REVISION	CMS	09 13 09
REV.	DESCRIPTION	BY	DATE
			MADE CMS DATE 08/07/09 JOB No. AR0569 CUST. No. CHECK BLJ DATE 08/17/09 DRAWING LB17 REV. No. ONE

**ANODIZED**  
(SEE LB5 FOR SPECS.)