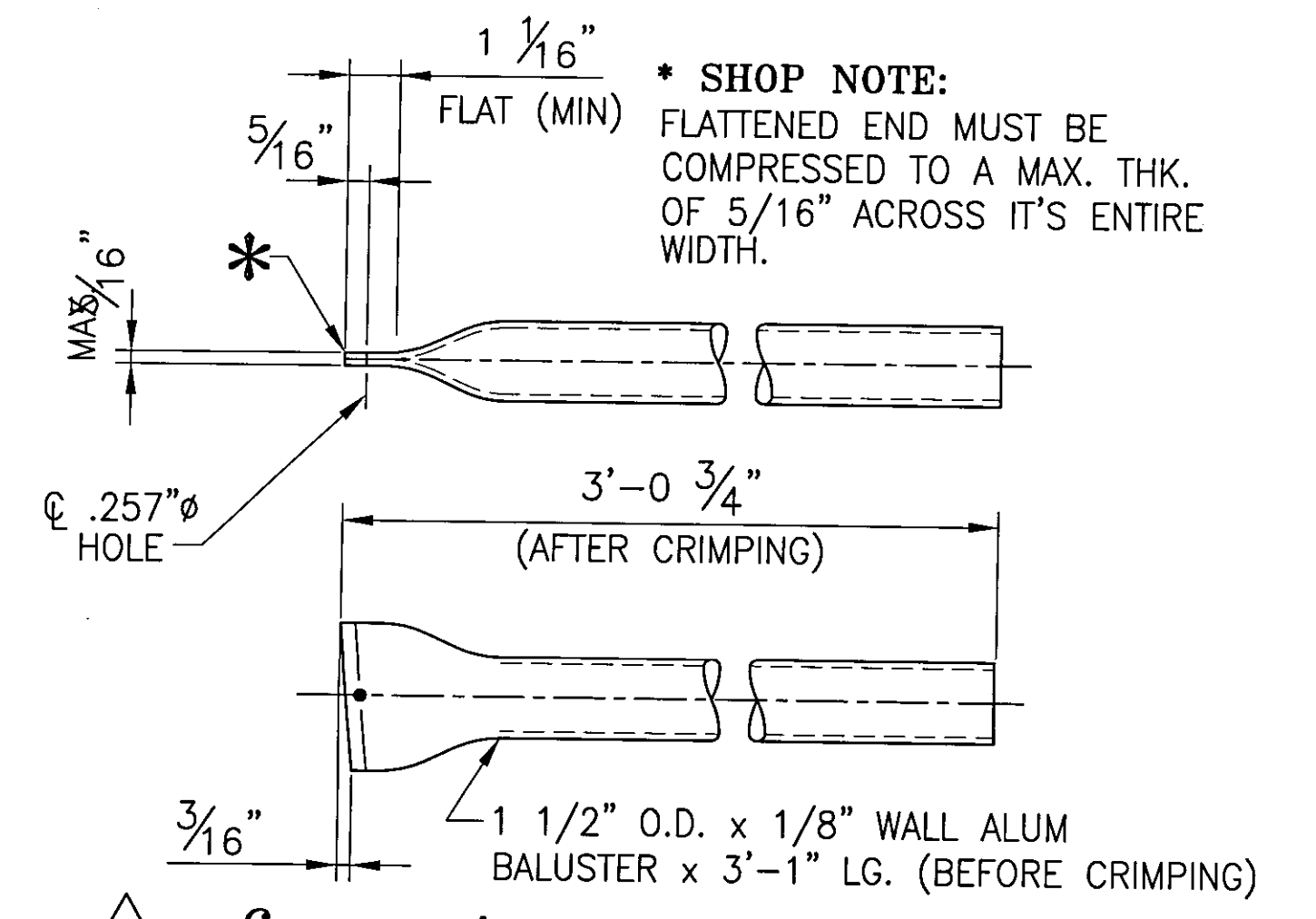
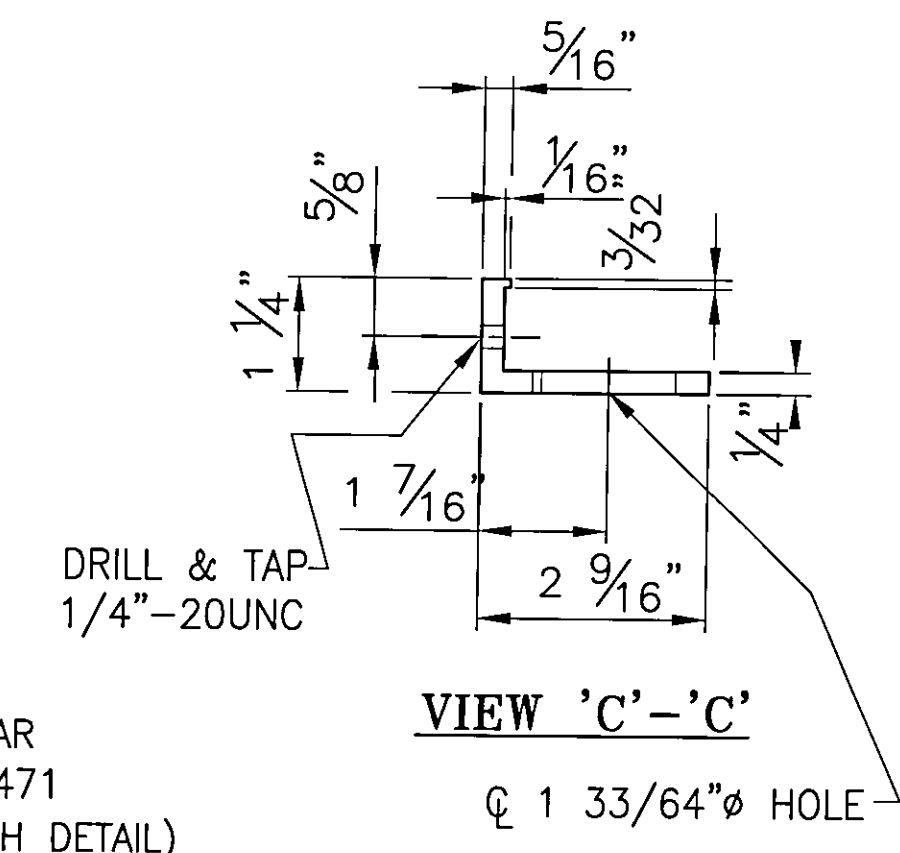


**TYPICAL ELEVATION**  
 ▲ 1/4"-20UNC S.S. SOCKET SET SCREW  
 x 1/2" LG. 'SS1' #22079, SCREW EVERY OTHER SPACE  
 BETWEEN BALUSTERS IF POSSIBLE

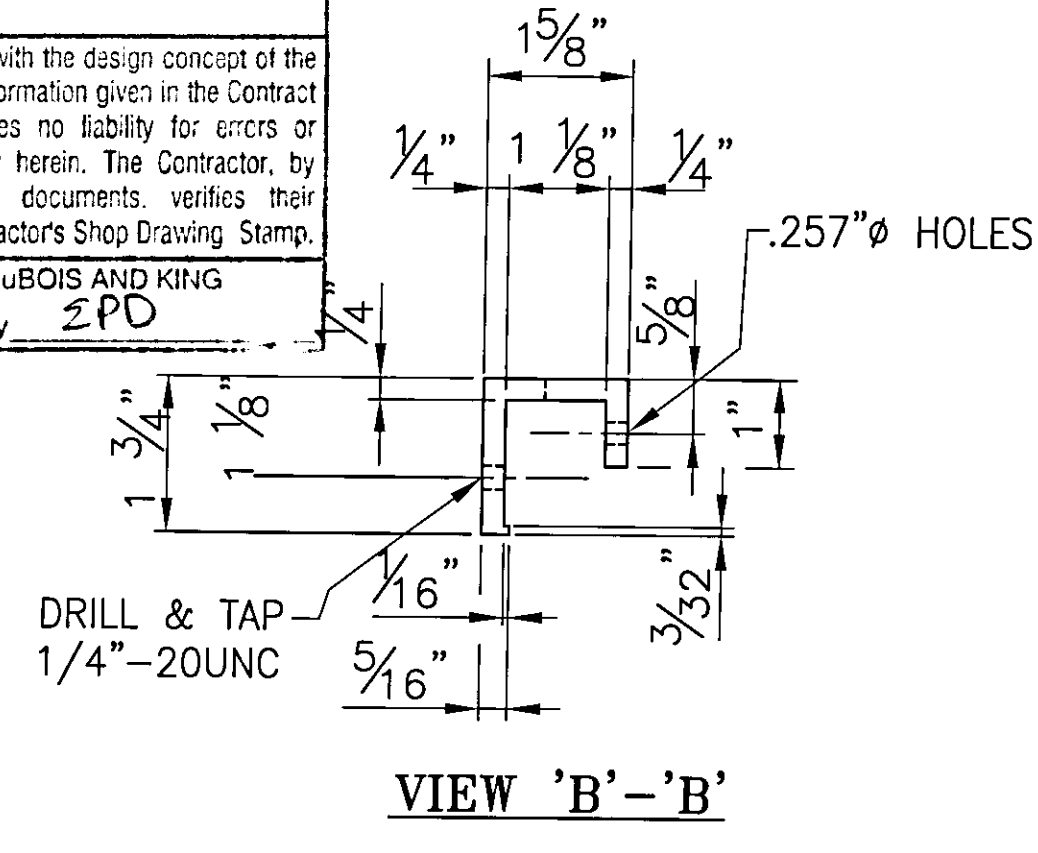


▲ 6 ~ REQ'D BALUSTERS 'b2' #19451  
 BALUSTERS WITH 1/8" WALL & T4 TEMPER USED IN LIEU  
 OF 1/16" WALL & T6 TEMPER DUE TO SUPERIOR EXPANDING  
 NOTE: FOR GEN. NOTES AND TYP. DETAILS  
 SEE DWG LB5  
 FOR RAILING ELEVATION SEE DWG LB7 - LB9

|                           |
|---------------------------|
| Accepted ✓                |
| Accepted as Noted         |
| Accepted Noted Resubmit   |
| Rejected, Revise Resubmit |
| Rejected - Unacceptable   |

Checking is only for conformance with the design concept of the Project and compliance with the information given in the Contract Documents. The Engineer assumes no liability for errors or omissions that may be contained herein. The Contractor, by approving and submitting these documents, verifies their accuracy as stipulated on the Contractor's Shop Drawing Stamp.

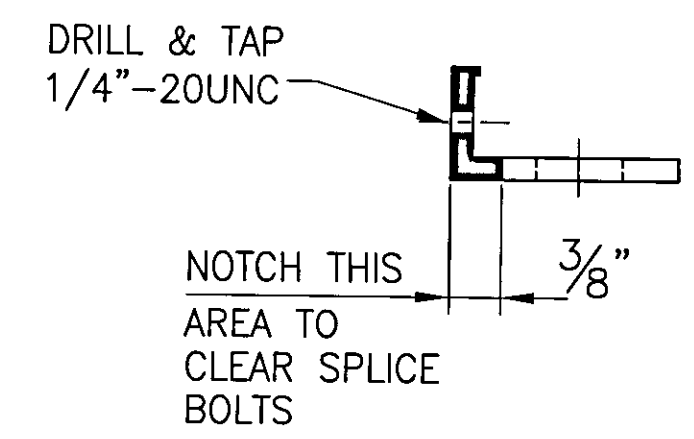
D.W.S. 9/25/09 DuBOIS AND KING  
 By ZPD



▲ 4 REQ'D. ~ BALUSTER PANEL  
**ASSEMBLY 'BP26'**  
 (REAR VIEW)

▲ 1 ONE REQ'D. ~ BALUSTER PANEL  
**ASSEMBLY 'BP27'**  
 (REAR VIEW)

▲ 1 ONE REQ'D. ~ BALUSTER PANEL  
**ASSEMBLY 'BP28'**  
 (REAR VIEW)



**BOTTOM BAR NOTCH AREA**

**ANODIZED**  
 (SEE LB5 FOR SPECS.)

|      |                                       |     |          |
|------|---------------------------------------|-----|----------|
| 1    | GENERAL REVISION PER APPROVAL MARKUPS | CMS | 09/13/09 |
| REV. | DESCRIPTION                           | BY  | DATE     |

MADE CMS DATE 08/09/09 JOB No. ARO569 CUST. No. \_\_\_\_\_  
 CHECK BLJ DATE 08/17/09 DRAWING LB16

BRIDGE No. 7  
 PROJECT No. BHF 6000 (15) S  
 ITEM No. 900.640

APPROVED: \_\_\_\_\_ REC'D APPROVAL \_\_\_\_\_  
 \_\_\_\_\_ DRAWING \_\_\_\_\_

**L.B. FOSTER COMPANY**  
 1016 GREENTREE ROAD  
 PITTSBURGH, PENNSYLVANIA 15220

FOR: F. R. LAFAYETTE, INCORPORATED  
 VERMONT AGENCY OF TRANSPORTATION  
 CITY OF BARRE, COUNTY OF WASHINGTON  
 BRIDGE RAILING FOR PROSPECT ST. OVER STEVENS BRANCH  
 3L ALUM BRIDGE RAILING ~ BALUSTER PANEL DETAILS