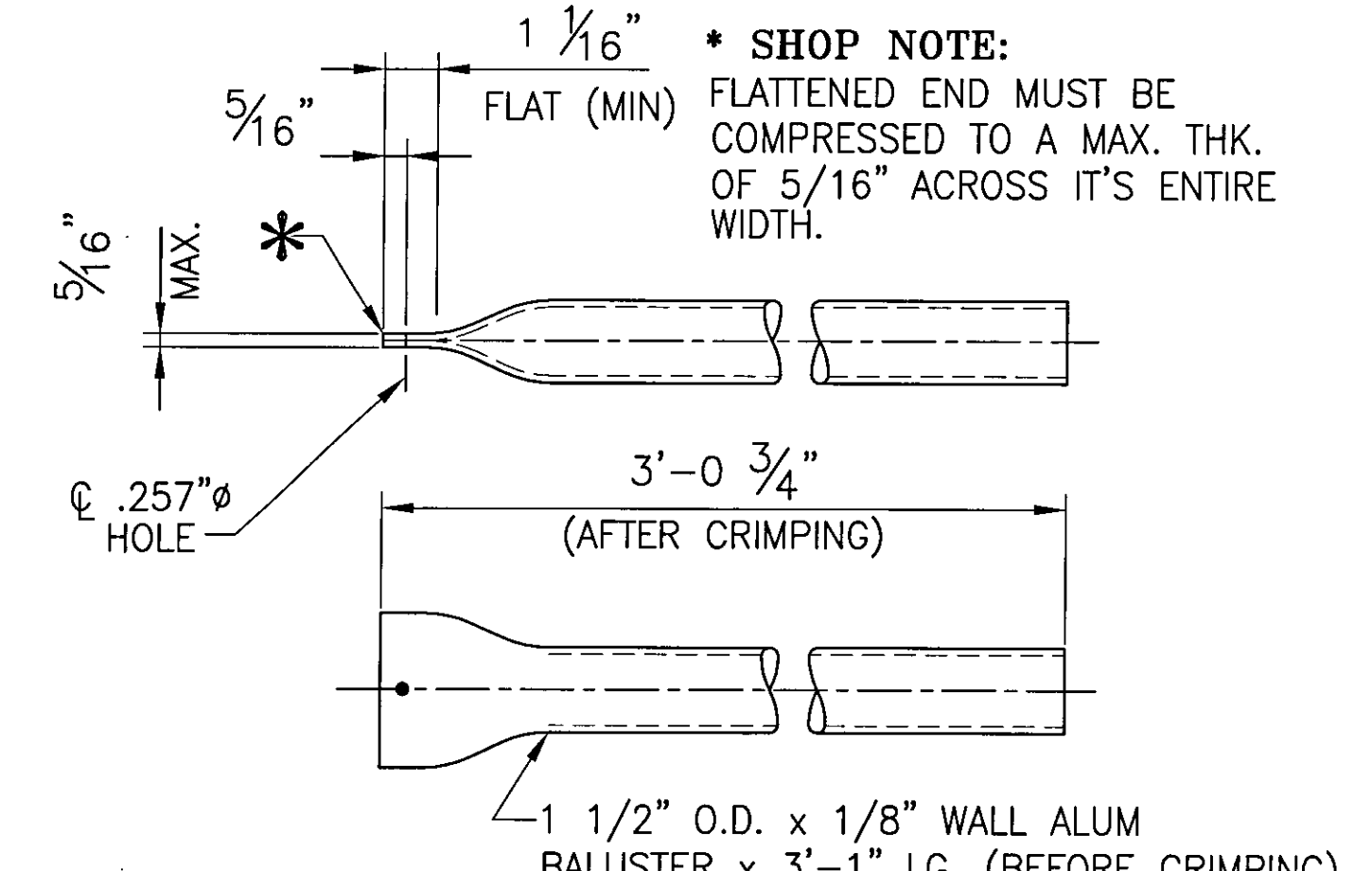
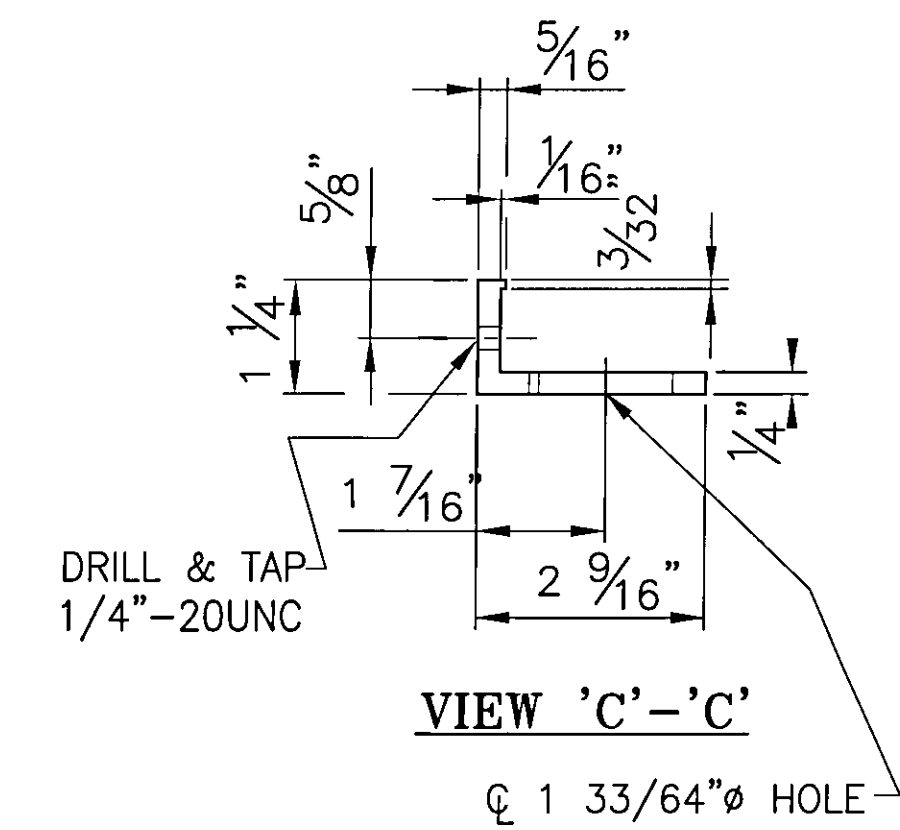


TYPICAL ELEVATION
 1/4"-20UNC S.S. SOCKET SET SCREW
 x 1/2" LG. 'SS1' #22079, SCREW EVERY OTHER SPACE BETWEEN BALUSTERS IF POSSIBLE



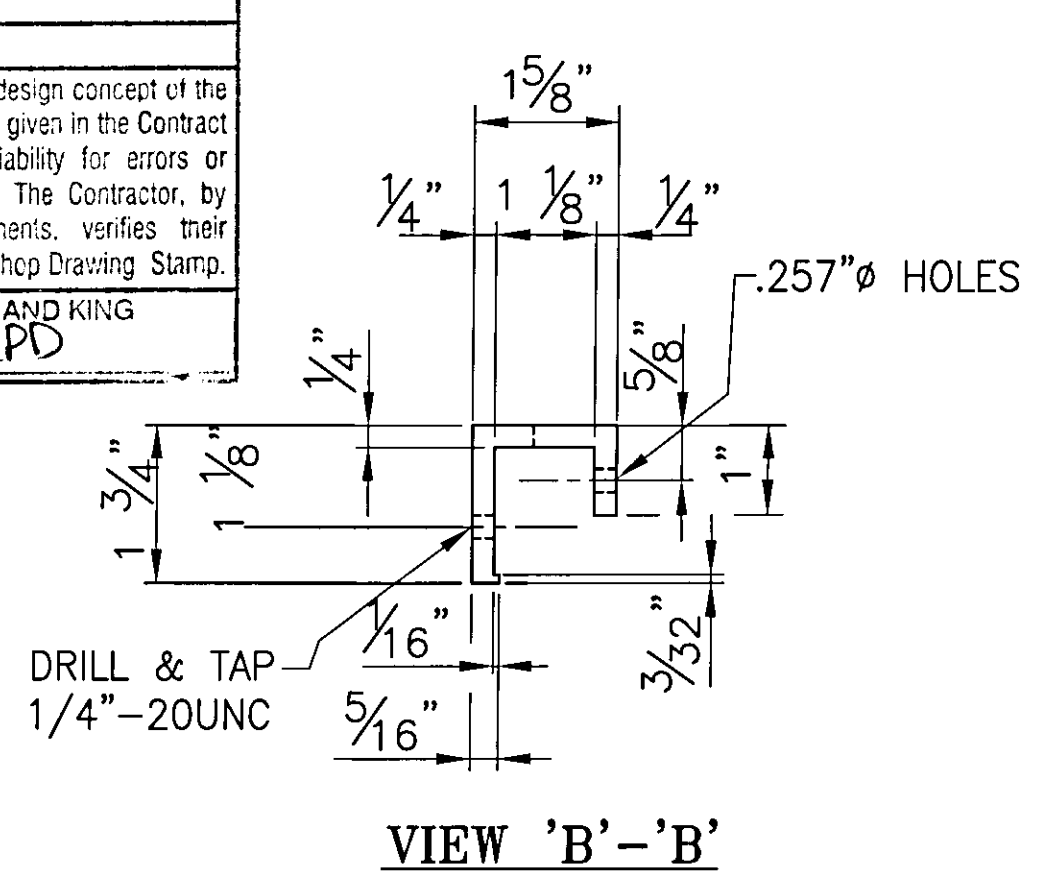
3 ~ REQ'D BALUSTERS 'b1' #19451
 BALUSTERS WITH 1/8" WALL & T4 TEMPER USED IN LIEU OF 1/16" WALL & T6 TEMPER DUE TO SUPERIOR EXPANDING

NOTE: FOR GEN. NOTES AND TYP. DETAILS SEE DWG LB5
 FOR RAILING ELEVATION SEE DWG LB7 - LB9

Accepted
Accepted as Noted
Accepted Noted Resubmit
Rejected, Revise Resubmit
Rejected - Unacceptable

Checking is only for conformance with the design concept of the Project and compliance with the information given in the Contract Documents. The Engineer assumes no liability for errors or omissions that may be contained herein. The Contractor, by approving and submitting these documents, verifies their accuracy as stipulated on the Contractor's Shop Drawing Stamp.

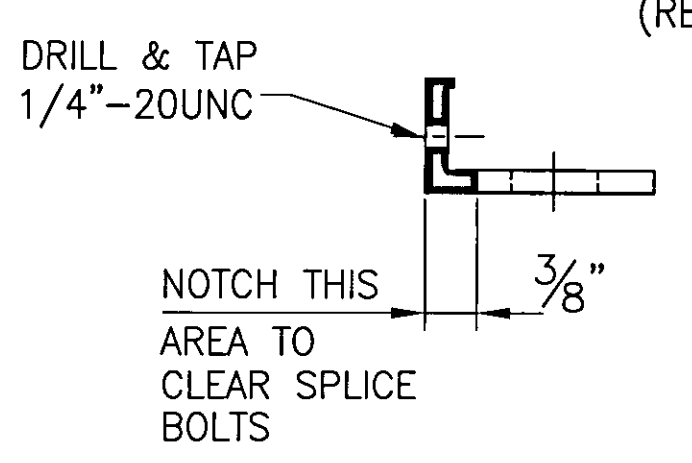
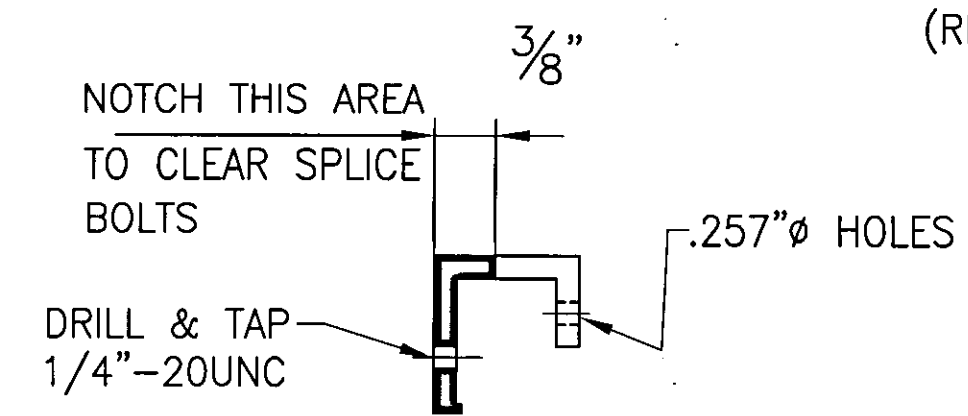
Date: 9/25/09 By: DuBOIS AND KING 2PD



ONE REQ'D. ~ BALUSTER PANEL ASSEMBLY 'BP7' (REAR VIEW)

ONE REQ'D. ~ BALUSTER PANEL ASSEMBLY 'BP8' (REAR VIEW)

ONE REQ'D. ~ BALUSTER PANEL ASSEMBLY 'BP9' (REAR VIEW)



ANODIZED
 (SEE LB5 FOR SPECS.)

REV.	DESCRIPTION	BY	DATE

BRIDGE No. 7
 PROJECT No. BHF 6000 (15) S
 ITEM No: 900.640

APPROVED: _____ REC'D APPROVAL _____
 DRAWING _____

L.B. FOSTER COMPANY
 1016 GREENTREE ROAD
 PITTSBURGH, PENNSYLVANIA 15220

FOR: F. R. LAFAYETTE, INCORPORATED
 VERMONT AGENCY OF TRANSPORTATION
 CITY OF BARRE, COUNTY OF WASHINGTON
 BRIDGE RAILING FOR PROSPECT ST. OVER STEVENS BRANCH
 3L ALUM BRIDGE RAILING ~ BALUSTER PANEL DETAILS

MADE CMS DATE 08/05/09 JOB No. AR0569 CUST. No.
 CHECK BLJ DATE 08/17/09 DRAWING LB15 REV. No.