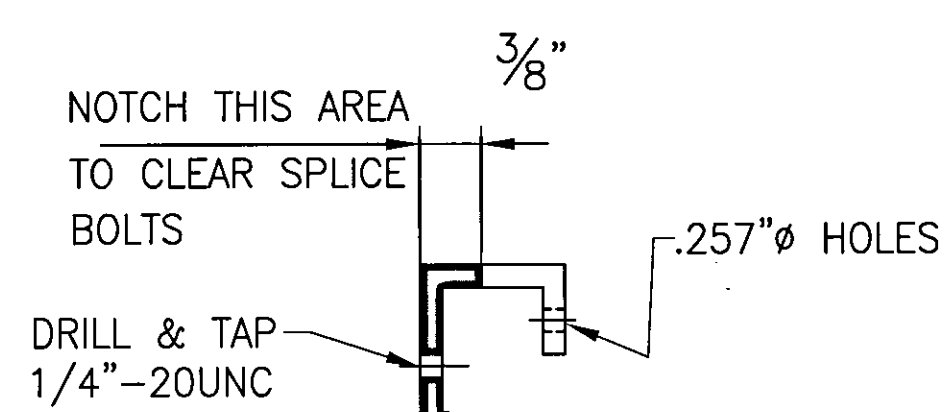
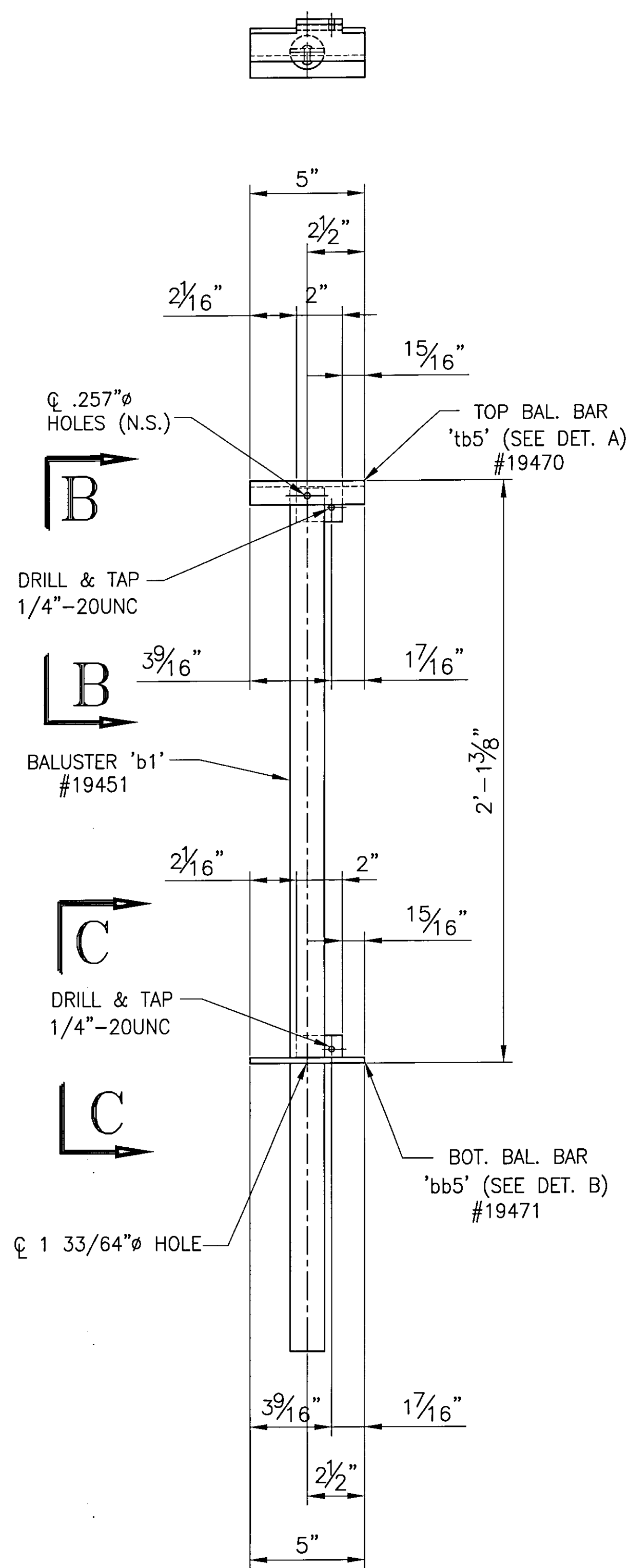


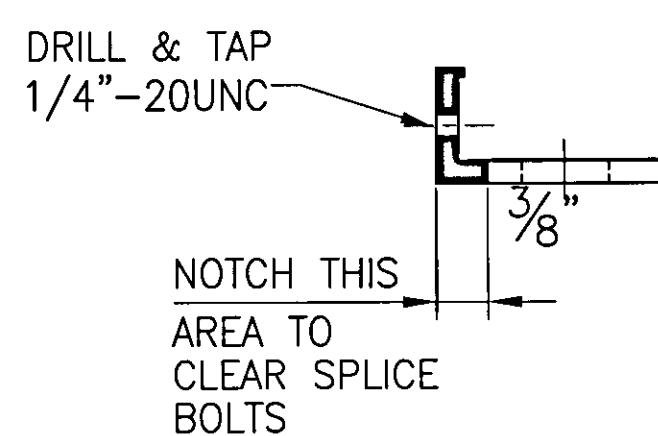
ONE REQ'D. ~ BALUSTER PANEL
ASSEMBLY 'BP4'
(REAR VIEW)



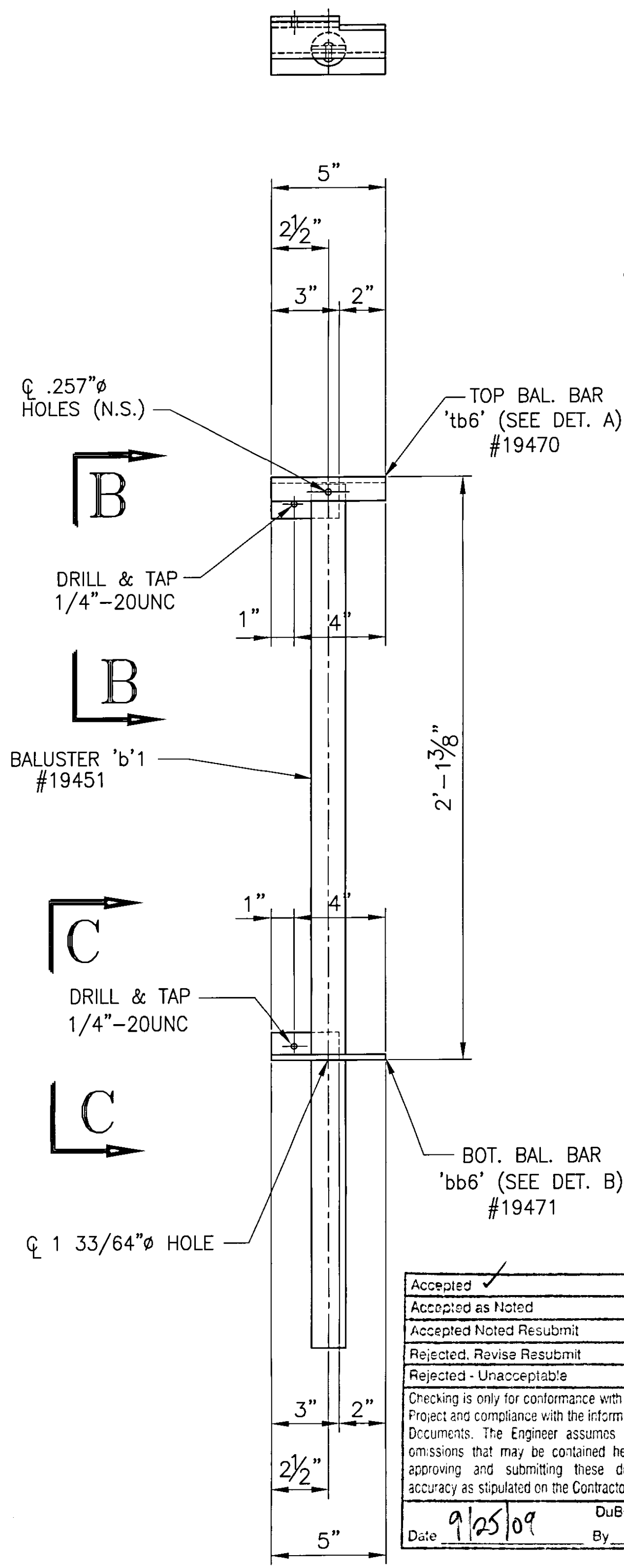
TOP BAR NOTCH AREA



ONE REQ'D. ~ BALUSTER PANEL
ASSEMBLY 'BP5'
(REAR VIEW)



BOTTOM BAR NOTCH AREA

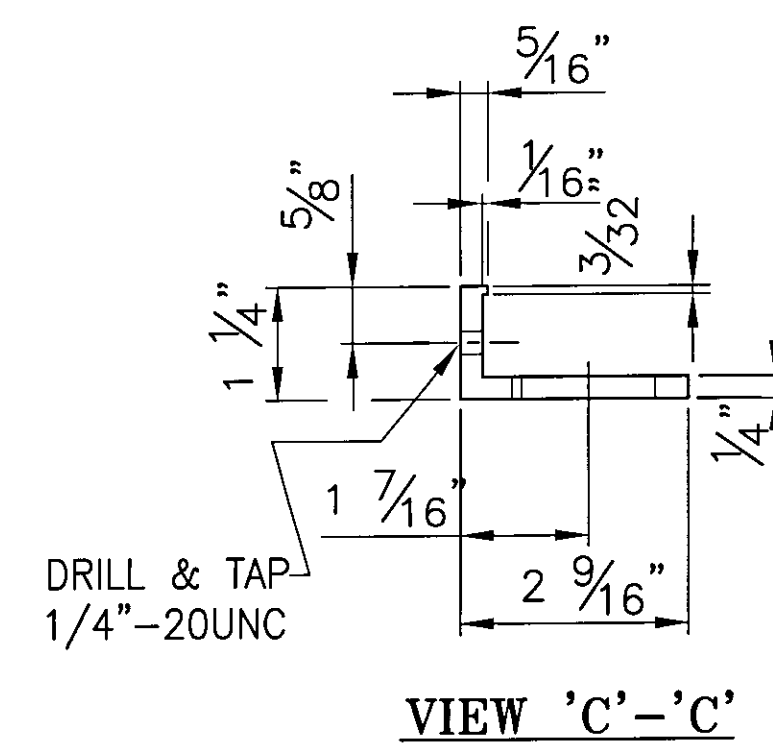
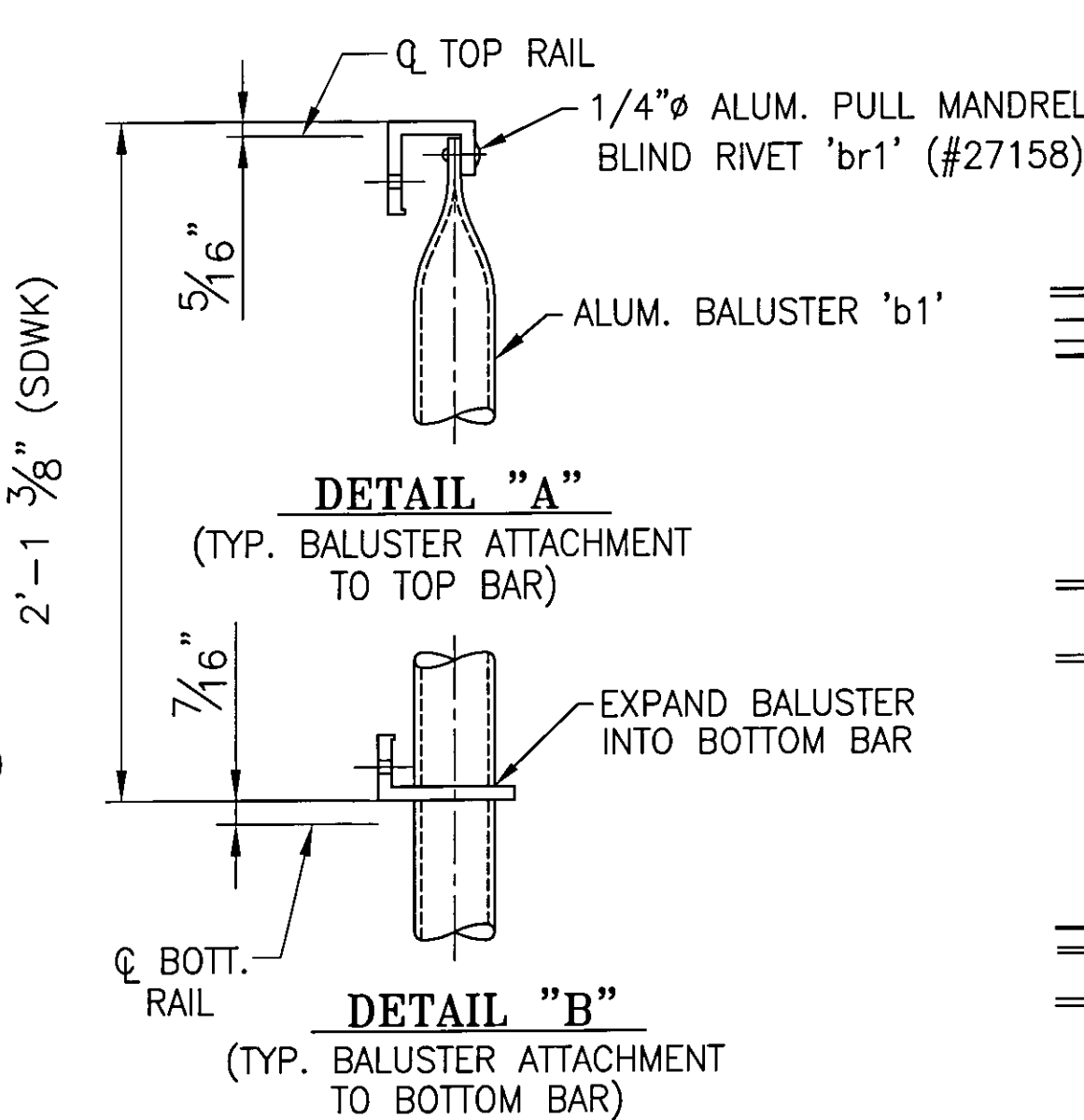


ONE REQ'D. ~ BALUSTER PANEL
ASSEMBLY 'BP6'
(REAR VIEW)

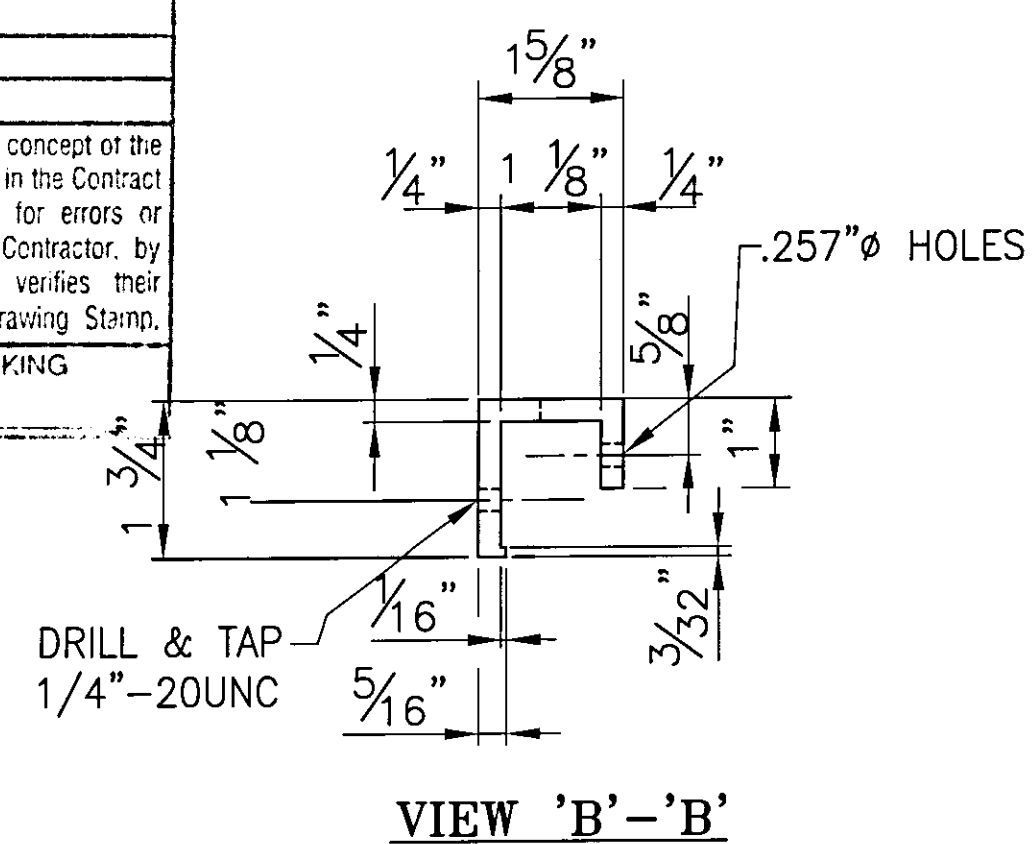
Accepted	✓
Accepted as Noted	
Accepted Noted Resubmit	
Rejected, Revise Resubmit	
Rejected - Unacceptable	

Checking is only for conformance with the design concept of the Project and compliance with the information given in the Contract Documents. The Engineer assumes no liability for errors or omissions that may be contained herein. The Contractor, by approving and submitting these documents, verifies their accuracy as stipulated on the Contractor's Shop Drawing Stamp.

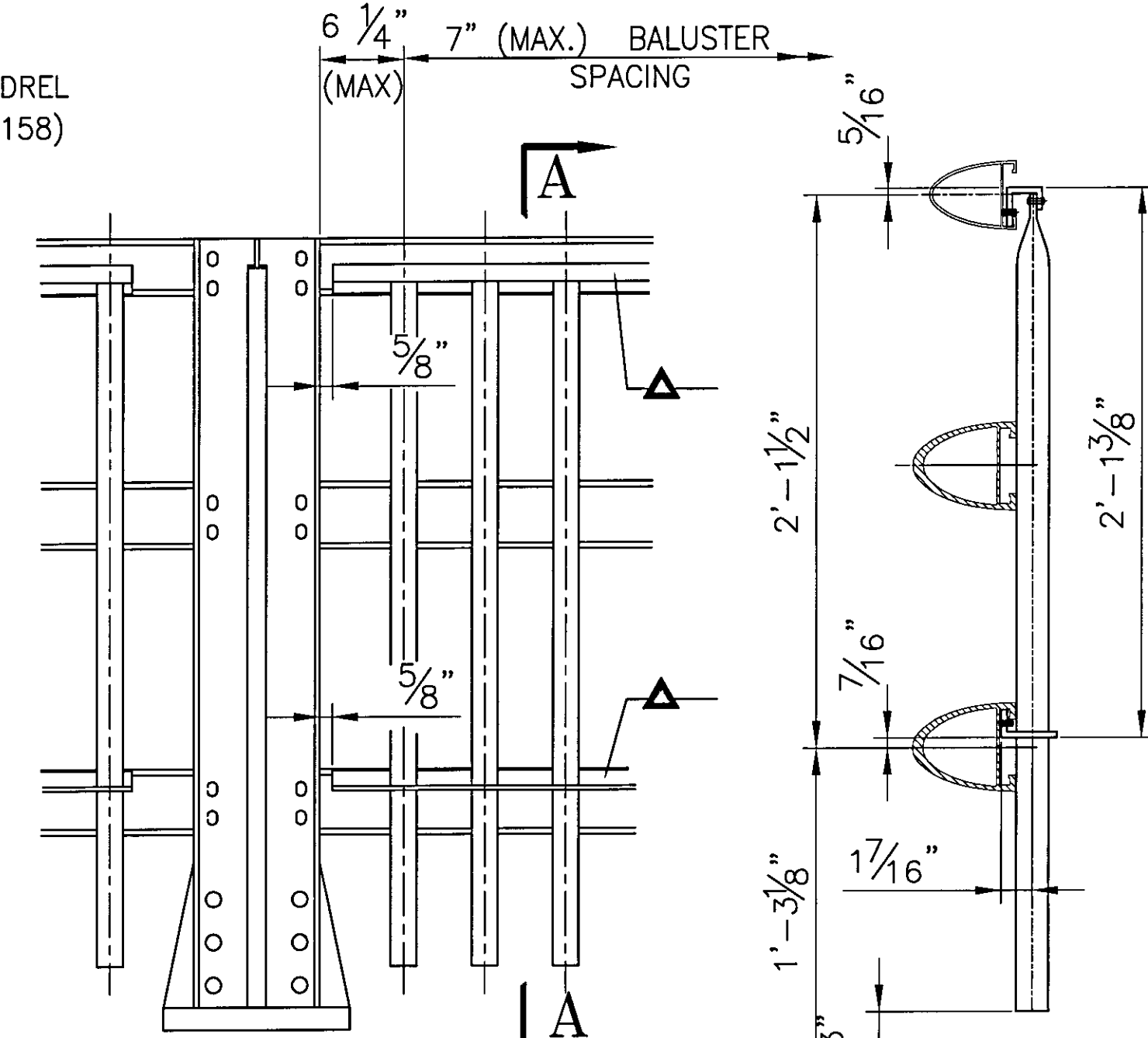
Date: 9/25/09
By: ZPD



VIEW 'C'-C'



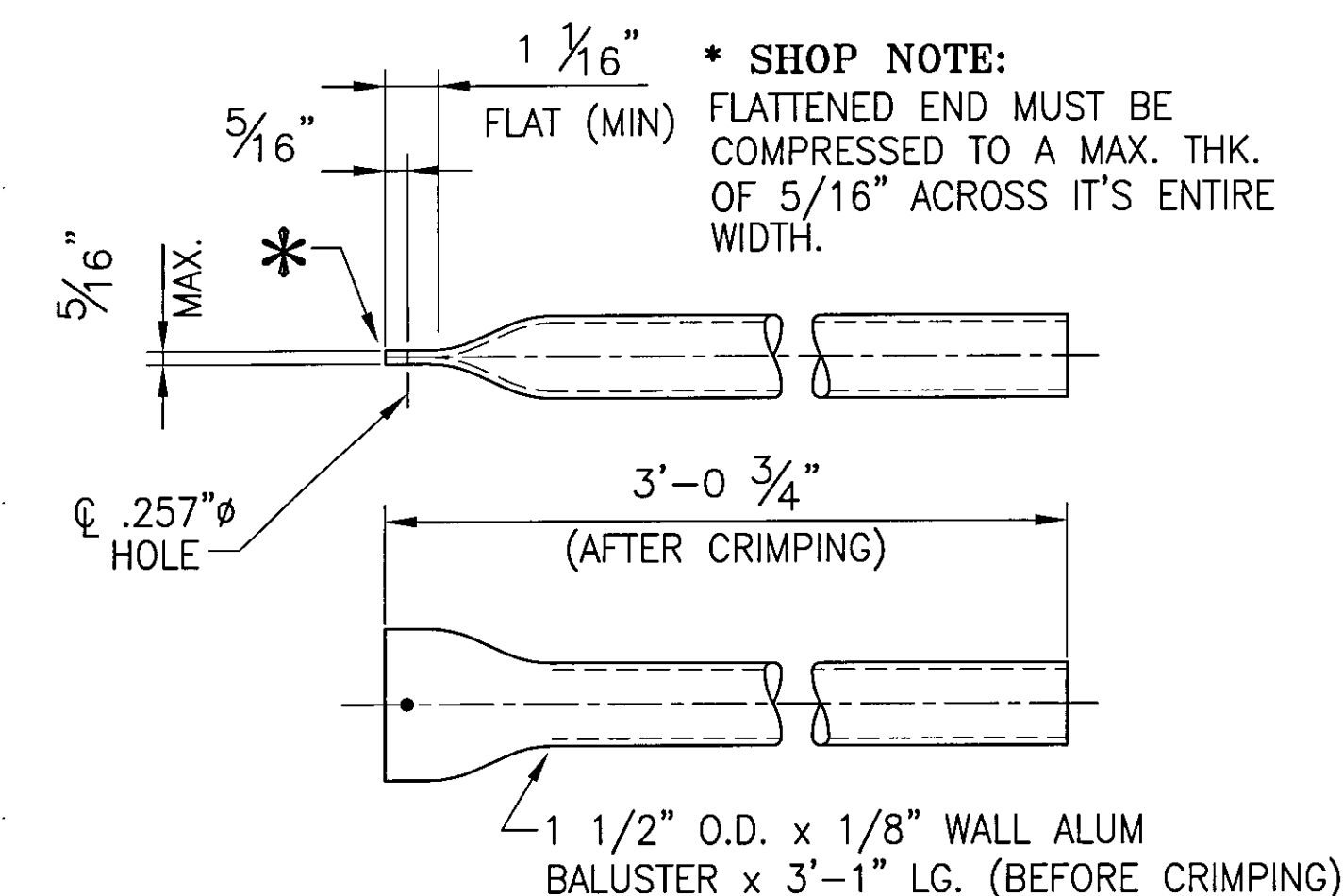
VIEW 'B'-B'



TYPICAL ELEVATION

▲ 1/4"-20UNC S.S. SOCKET SET SCREW
x 1/2" LG. 'SS1' #22079, SCREW EVERY OTHER SPACE
BETWEEN BALUSTERS IF POSSIBLE

SECTION
A-A



3 ~ REQ'D BALUSTERS 'b1' #19451
BALUSTERS WITH 1/8" WALL & T4 TEMPER USED IN LIEU
OF 1/16" WALL & T6 TEMPER DUE TO SUPERIOR EXPANDING

NOTE: FOR GEN. NOTES AND TYP. DETAILS
SEE DWG LB5
FOR RAILING ELEVATION SEE DWG LB7 - LB9

BRIDGE No. 7
PROJECT No. BHF 6000 (15) S
ITEM No: 900.640

APPROVED: _____	REC'D APPROVAL _____
	DRAWING _____

L.B. FOSTER COMPANY
1016 GREENTREE ROAD
PITTSBURGH, PENNSYLVANIA 15220

FOR: F. R. LAFAYETTE, INCORPORATED
VERMONT AGENCY OF TRANSPORTATION
CITY OF BARRE, COUNTY OF WASHINGTON
BRIDGE RAILING FOR PROSPECT ST. OVER STEVENS BRANCH
3L ALUM BRIDGE RAILING ~ BALUSTER PANEL DETAILS

1	GENERAL REVISION	CMS	09 13 09
REV.	DESCRIPTION	BY	DATE
	MADE CMS DATE 08/07/09 JOB No. AR0569 CUST. No.		
	CHECK BLJ DATE 08/17/09 DRAWING LB14		REV. No. ONE

➔ **ANODIZED**
(SEE LB5 FOR SPECS.)