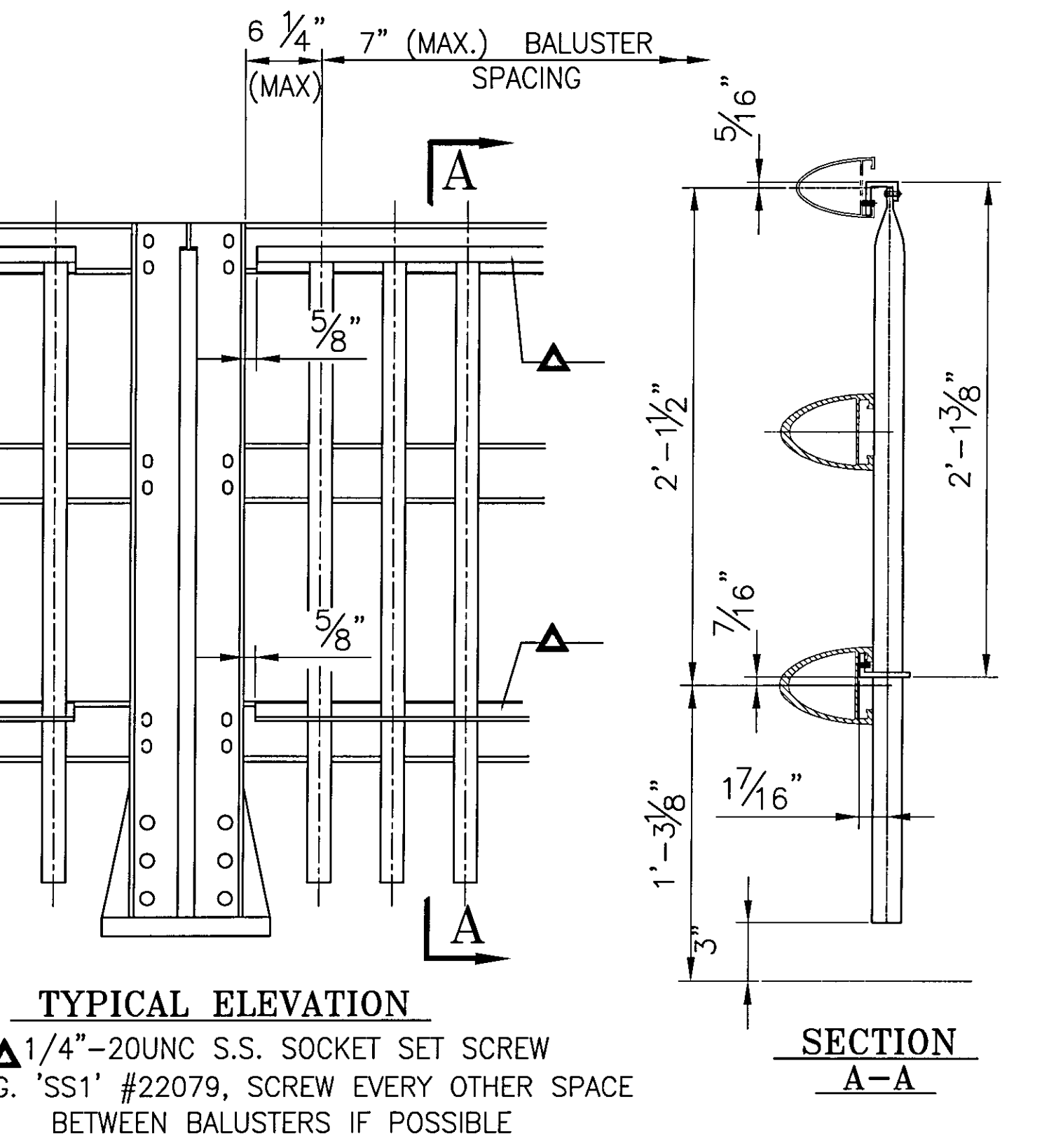


ONE REQ'D. ~ BALUSTER PANEL  
 ASSEMBLY 'BP17A'  
 (REAR ELEVATION VIEW)

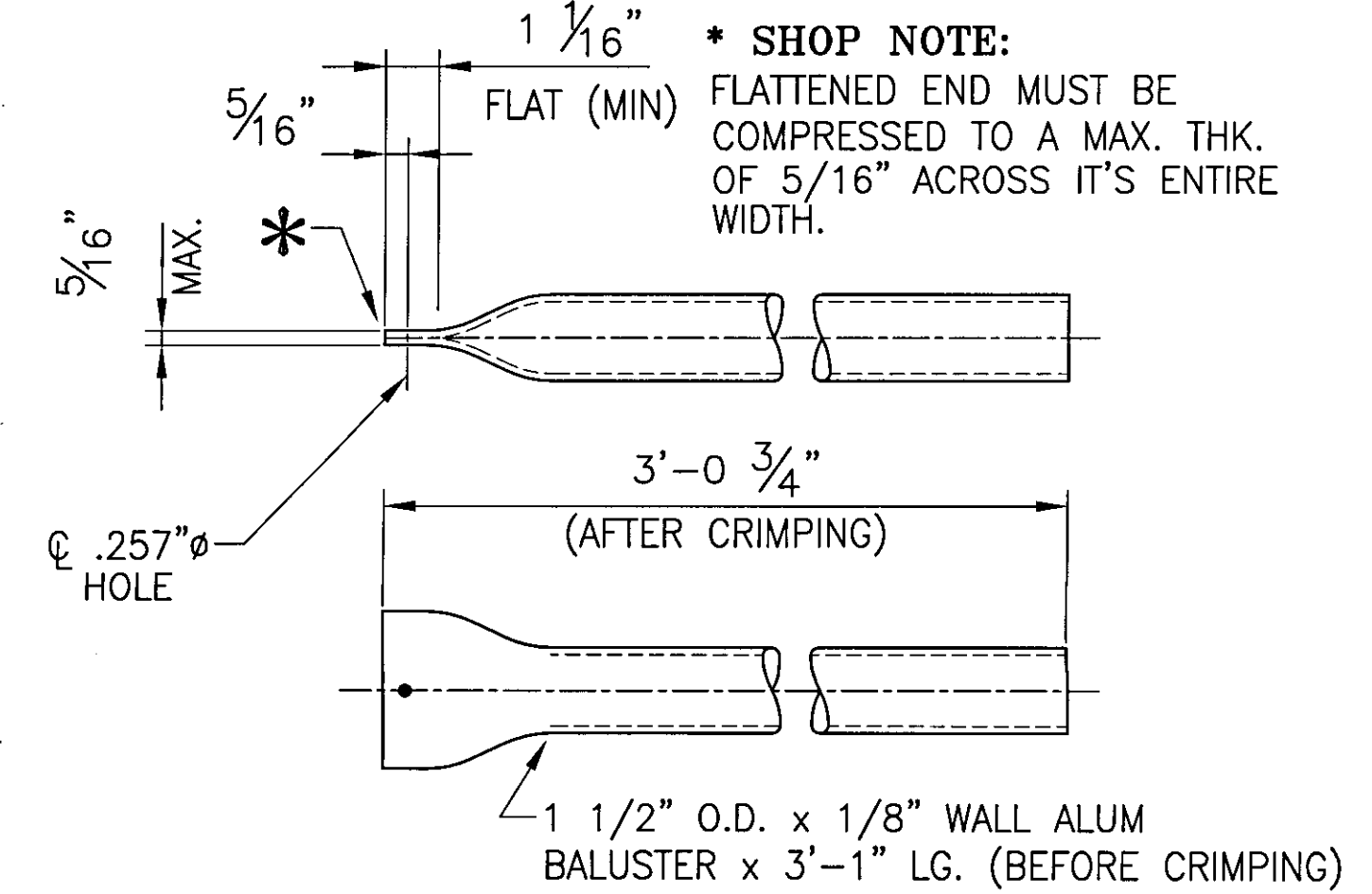
ONE REQ'D. ~ BALUSTER PANEL  
 ASSEMBLY 'BP17B'  
 (REAR ELEVATION VIEW)

ONE REQ'D. ~ BALUSTER PANEL  
 ASSEMBLY 'BP17C'  
 (REAR ELEVATION VIEW)

ONE REQ'D. ~ BALUSTER PANEL  
 ASSEMBLY 'BP17D'  
 (REAR ELEVATION VIEW)

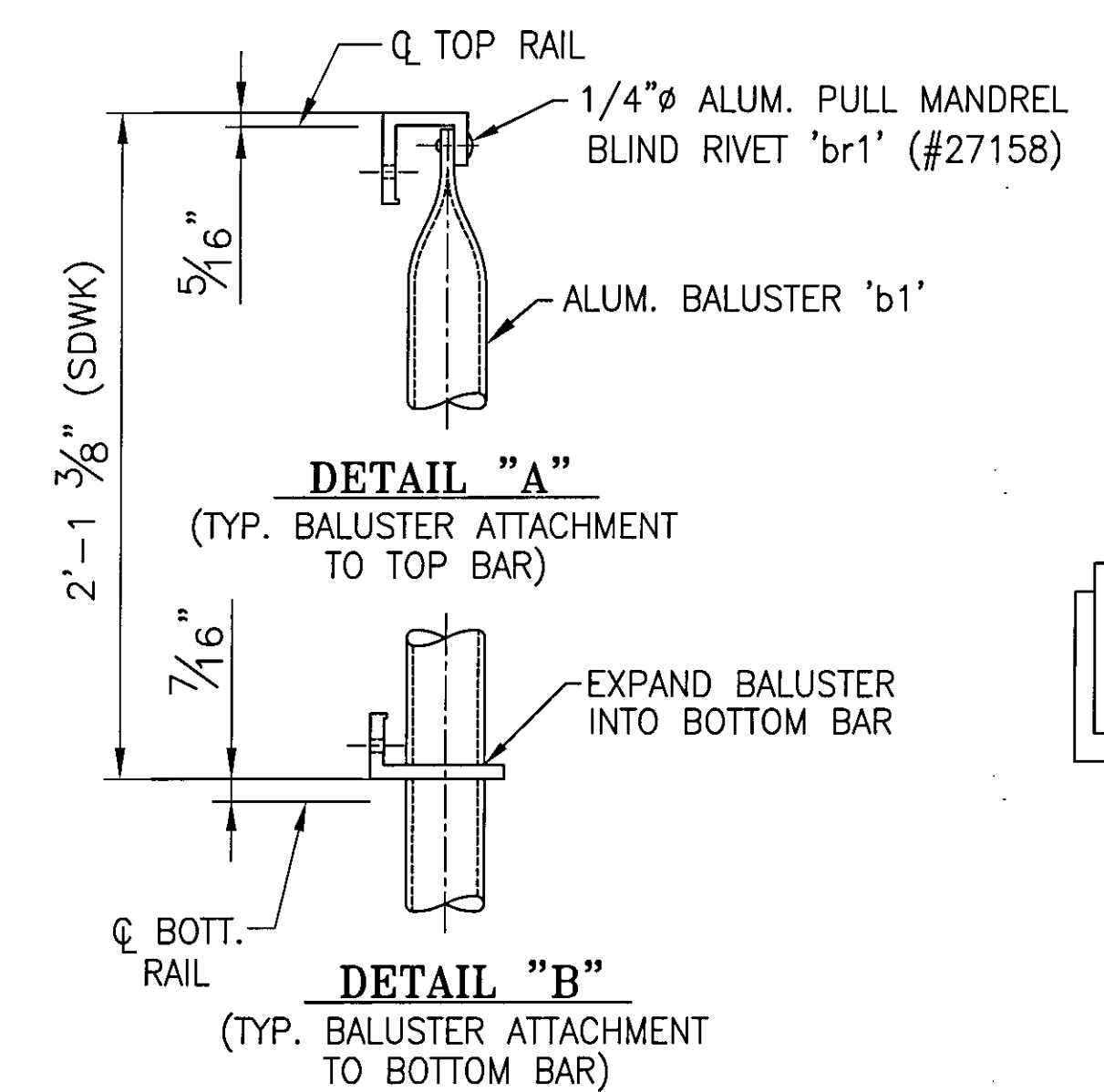


TYPICAL ELEVATION  
 1/4"-20UNC S.S. SOCKET SET SCREW x 1/2" LG. 'SS1' #22079, SCREW EVERY OTHER SPACE BETWEEN BALUSTERS IF POSSIBLE

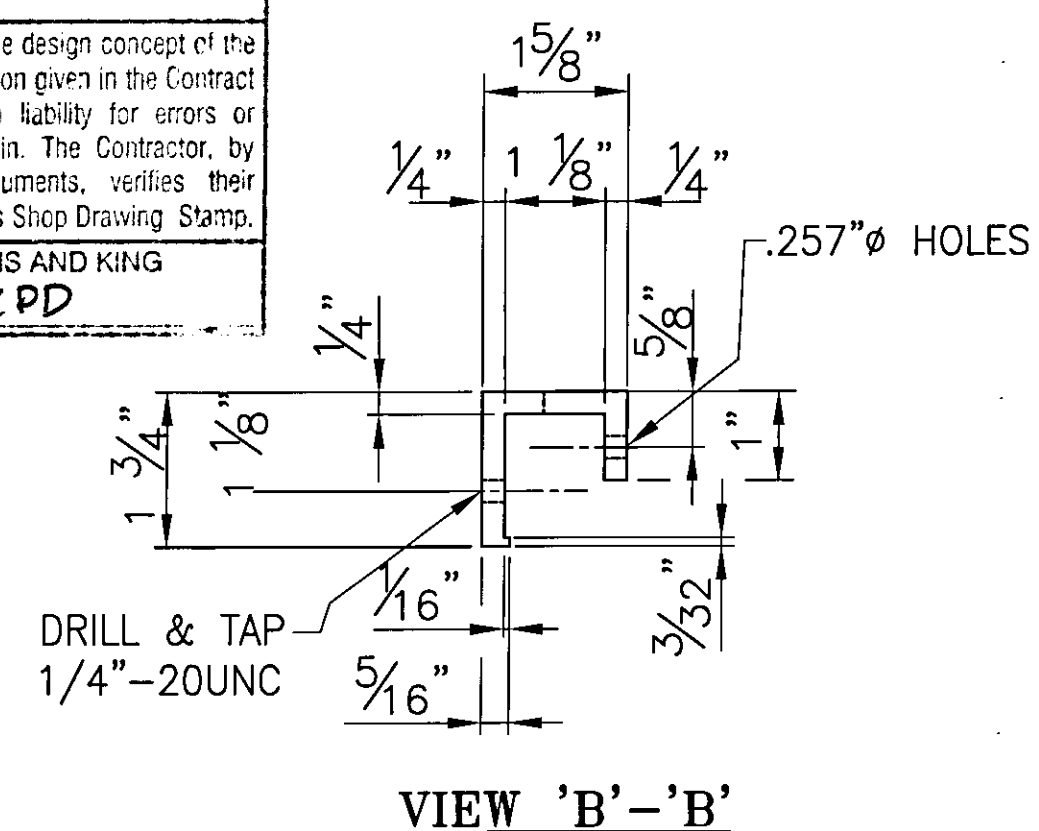
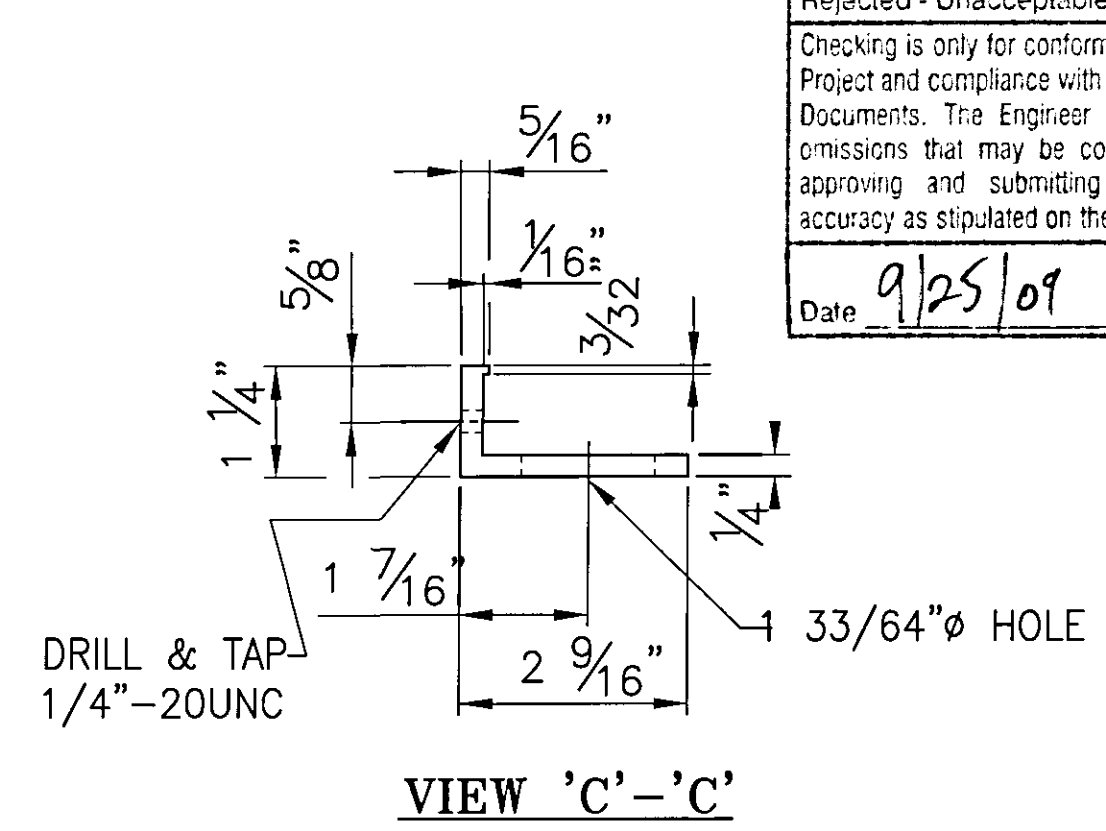


6 ~ REQ'D BALUSTERS 'b1' #19451  
 BALUSTERS WITH 1/8" WALL & T4 TEMPER USED IN LIEU OF 1/16" WALL & T6 TEMPER DUE TO SUPERIOR EXPANDING

NOTE: FOR GEN. NOTES AND TYP. DETAILS SEE DWG LB5  
 FOR RAILING ELEVATION SEE DWG LB7 - LB9



SEE LB13 FOR BP16 DETAILS



Accepted
Accepted as Noted
Accepted Noted Resubmit
Rejected - Unacceptable
Rejected - Unacceptable

Checking is only for conformance with the design concept of the Project and compliance with the information given in the Contract Documents. The Engineer assumes no liability for errors or omissions that may be contained herein. The Contractor, by approving and submitting these documents, verifies their accuracy as stipulated on the Contractor's Shop Drawing Stamp.

Date: 9/25/09  
 DuBois and King  
 By: ZPD

ANODIZED  
 (SEE LB5 FOR SPECS.)

REV.	DESCRIPTION	BY	DATE
1	GENERAL REVISION PER APPROVAL COMMENTS	CMS	05 12 09
MADE CMS DATE 08/09/09 JOB No. AR0569 CUST. No.		CHECK BLJ DATE 08/17/09 DRAWING LB13A REV. No. ONE	

BRIDGE No. 7  
 PROJECT No. BHF 6000 (15) S  
 ITEM No: 900.640

APPROVED: \_\_\_\_\_ REC'D APPROVAL \_\_\_\_\_  
 DRAWING \_\_\_\_\_  
**L.B. FOSTER COMPANY**  
 1016 GREENTREE ROAD  
 PITTSBURGH, PENNSYLVANIA 15220

FOR: F. R. LAFAYETTE, INCORPORATED  
 VERMONT AGENCY OF TRANSPORTATION  
 CITY OF BARRE, COUNTY OF WASHINGTON  
 BRIDGE RAILING FOR PROSPECT ST. OVER STEVENS BRANCH  
 3L ALUM BRIDGE RAILING ~ MITERED BALUSTER PANEL DETAILS