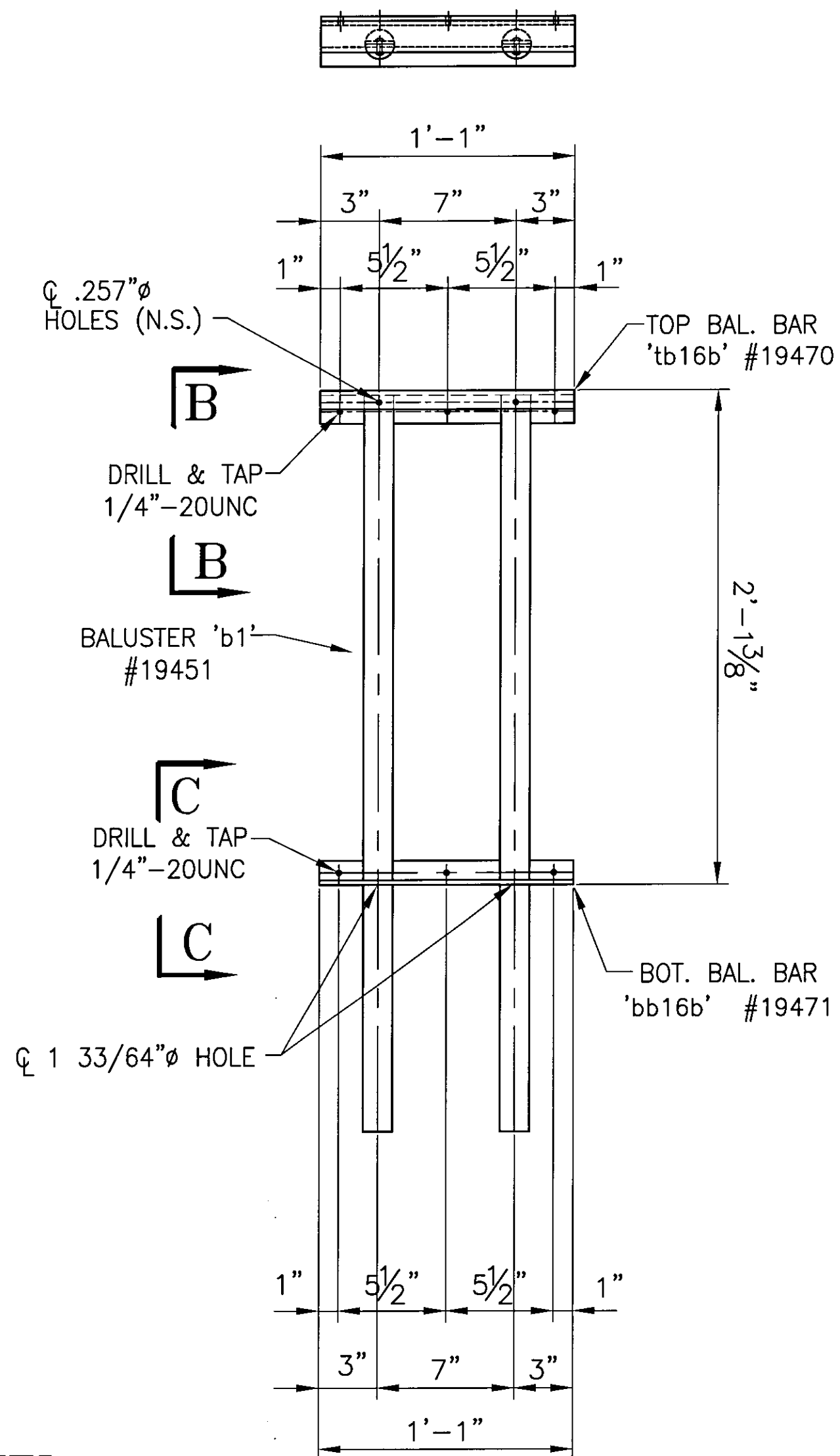
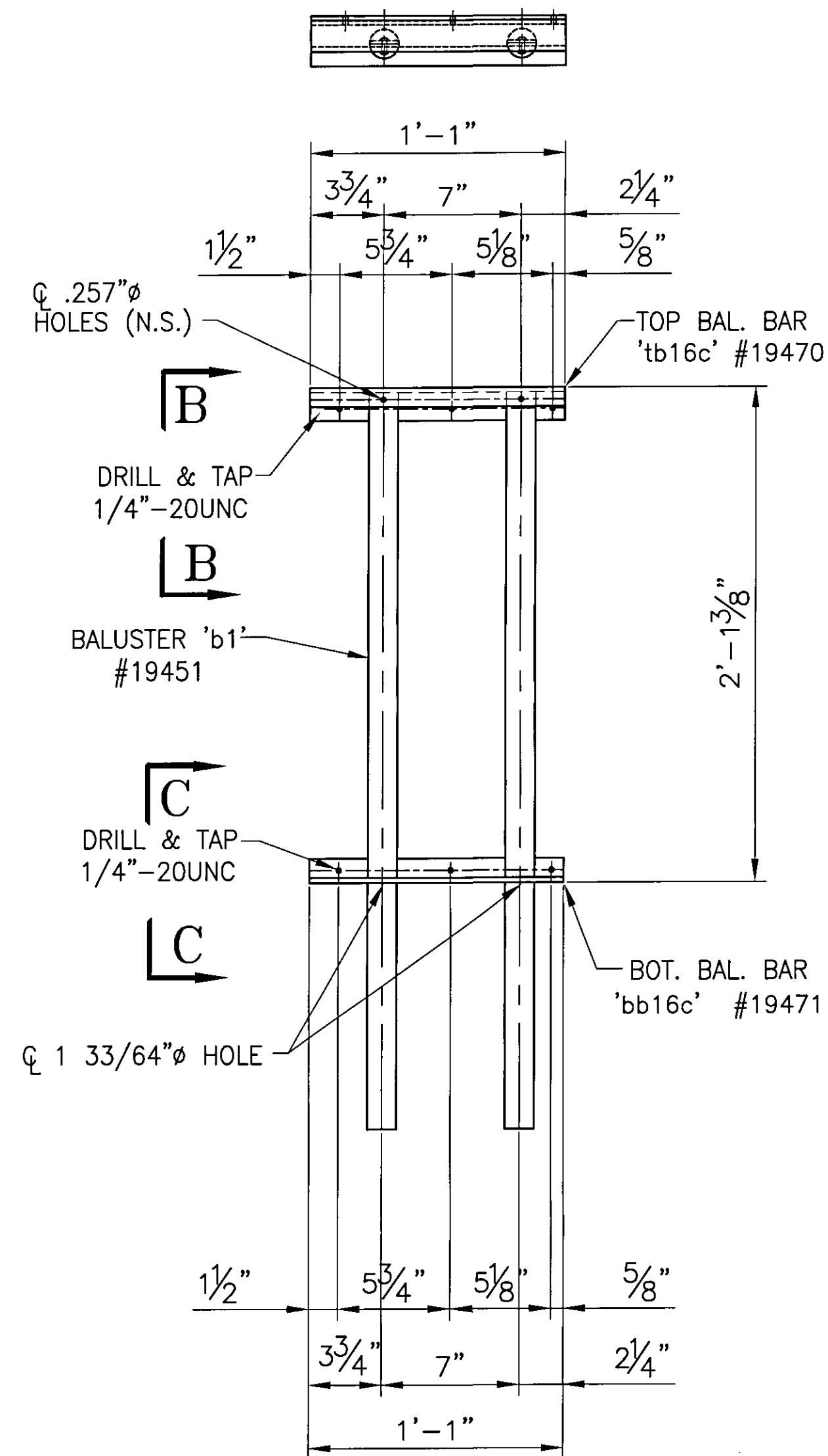


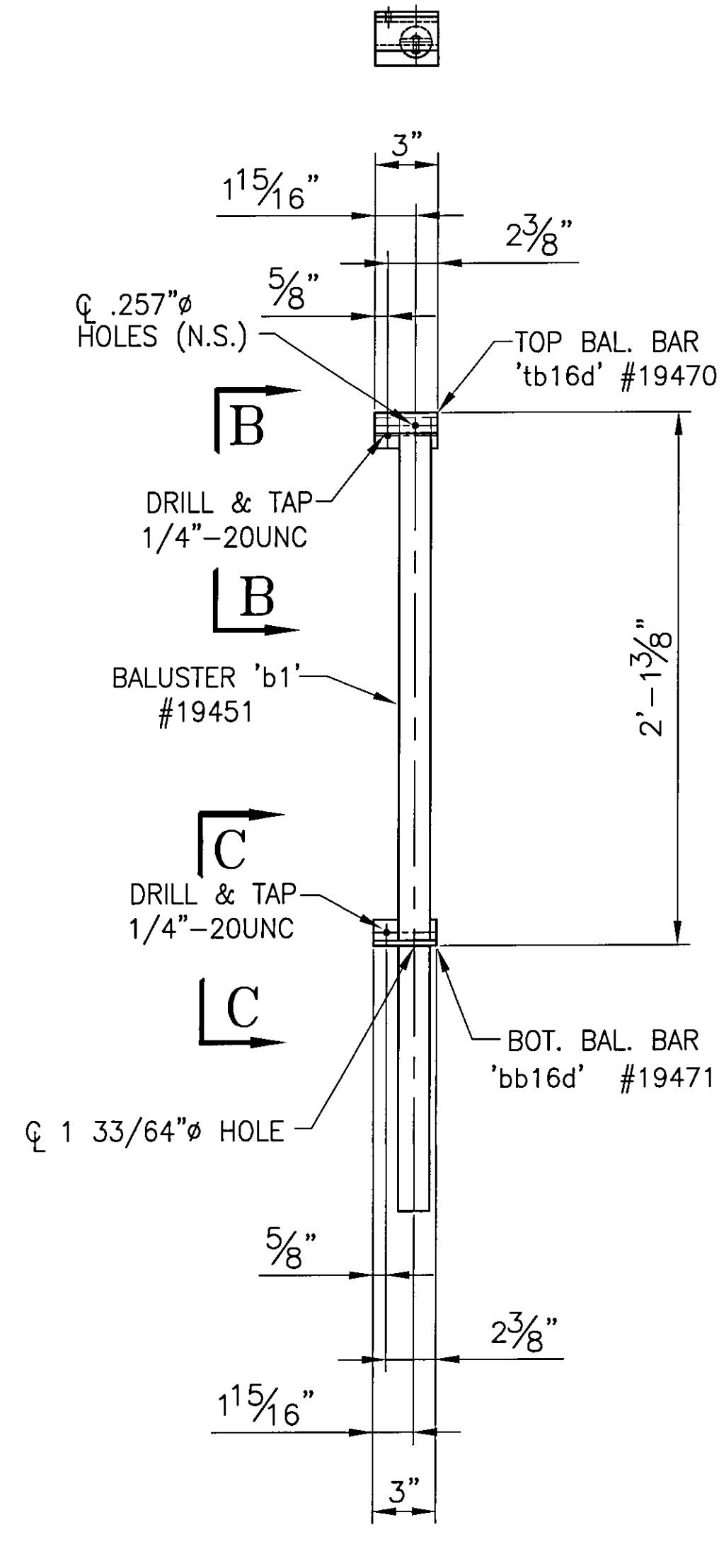
ONE REQ'D. ~ BALUSTER PANEL
 ASSEMBLY 'BP16A'
 (REAR ELEVATION VIEW)



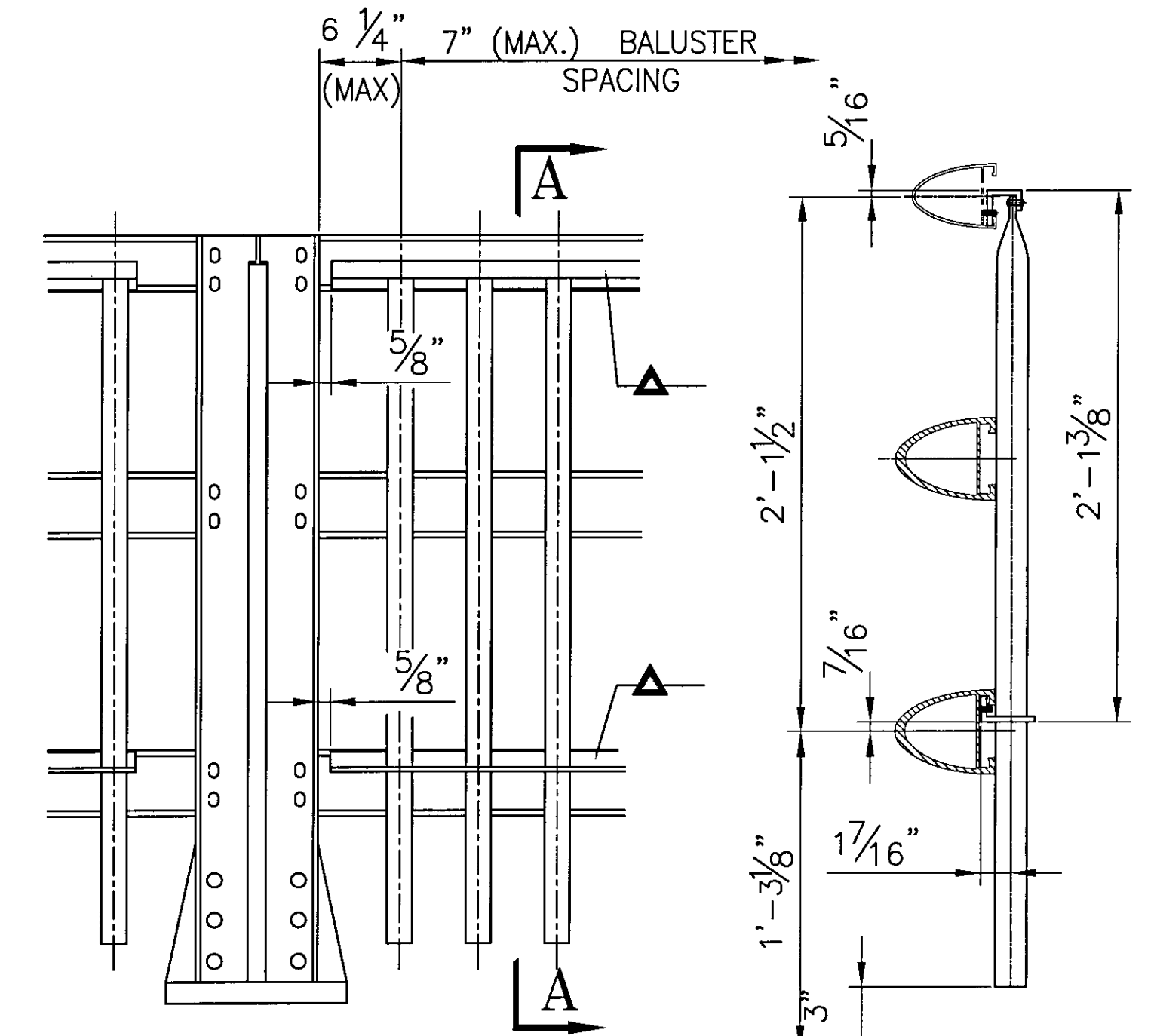
ONE REQ'D. ~ BALUSTER PANEL
 ASSEMBLY 'BP16B'
 (REAR ELEVATION VIEW)



ONE REQ'D. ~ BALUSTER PANEL
 ASSEMBLY 'BP16C'
 (REAR ELEVATION VIEW)

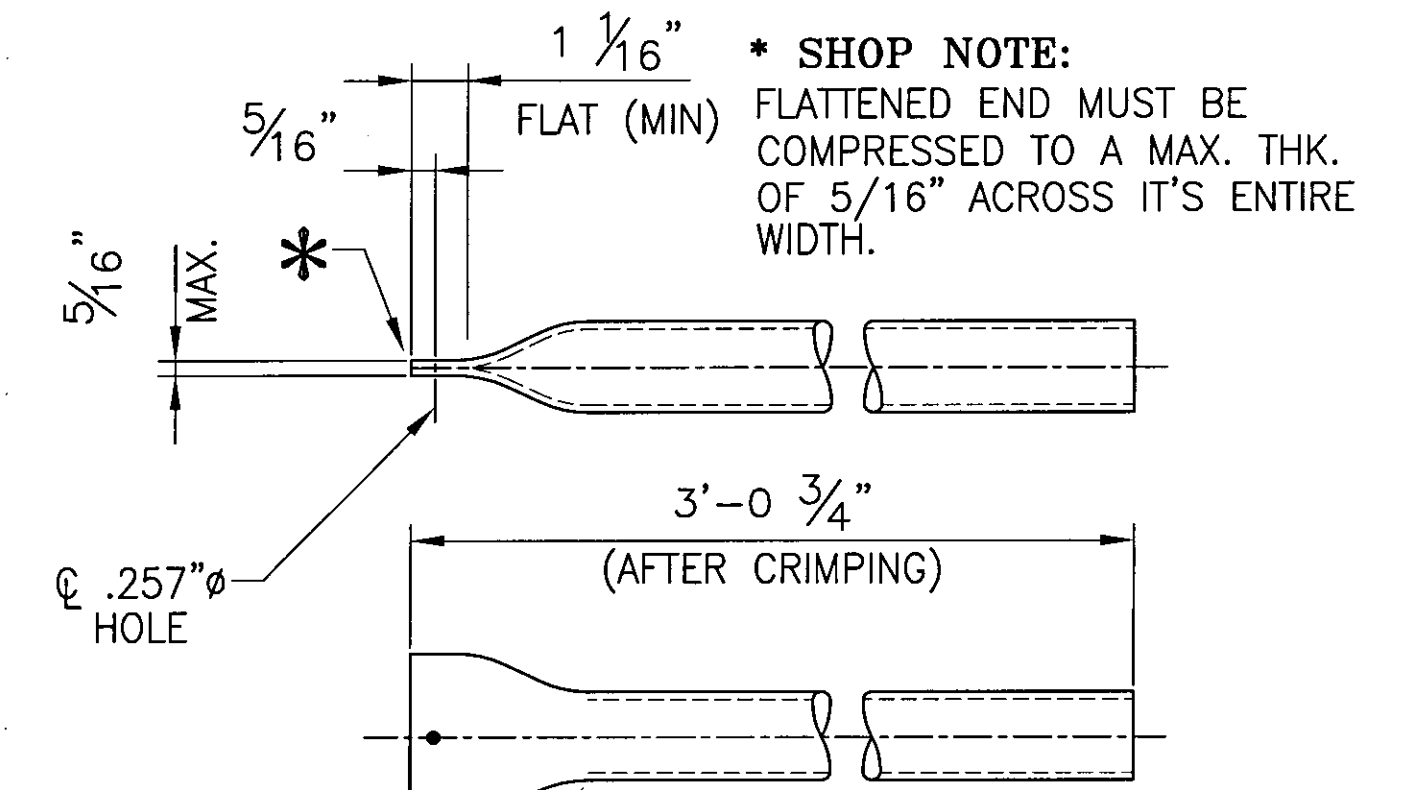


ONE REQ'D. ~ BALUSTER PANEL
 ASSEMBLY 'BP16D'
 (REAR ELEVATION VIEW)



TYPICAL ELEVATION
 1/4"-20UNC S.S. SOCKET SET SCREW
 x 1/2" LG. 'SS1' #22079, SCREW EVERY OTHER SPACE
 BETWEEN BALUSTERS IF POSSIBLE

SECTION
 A-A



6 ~ REQ'D BALUSTERS 'b1' #19451

BALUSTERS WITH 1/8" WALL & T4 TEMPER USED IN LIEU
 OF 1/16" WALL & T6 TEMPER DUE TO SUPERIOR EXPANDING

NOTE: FOR GEN. NOTES AND TYP. DETAILS
 SEE DWG LB5
 FOR RAILING ELEVATION SEE DWG LB7 - LB9

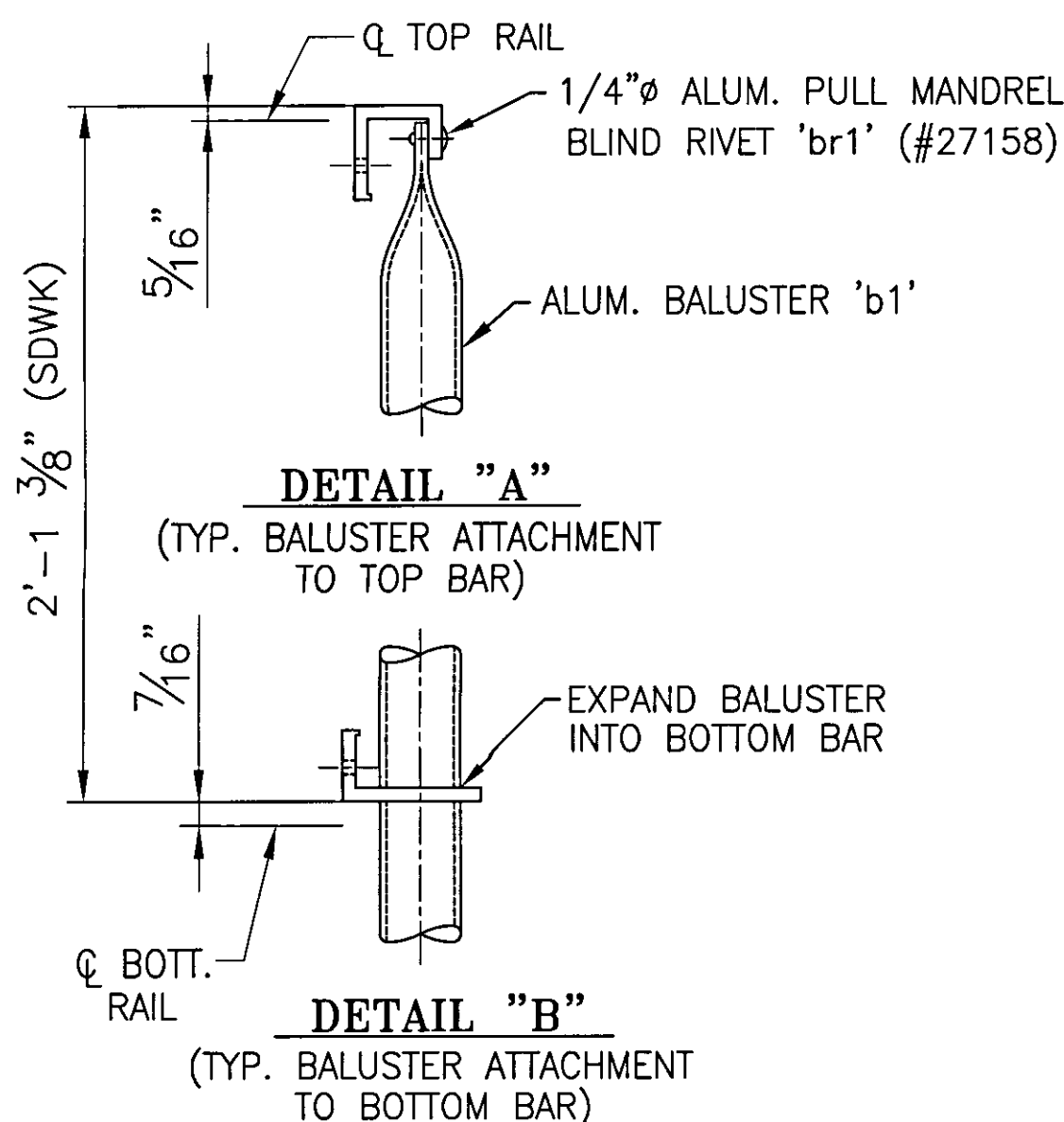
BRIDGE No. 7
 PROJECT No. BHF 6000 (15) S
 ITEM No. 900.640

APPROVED: _____ REC'D APPROVAL _____
 _____ DRAWING _____

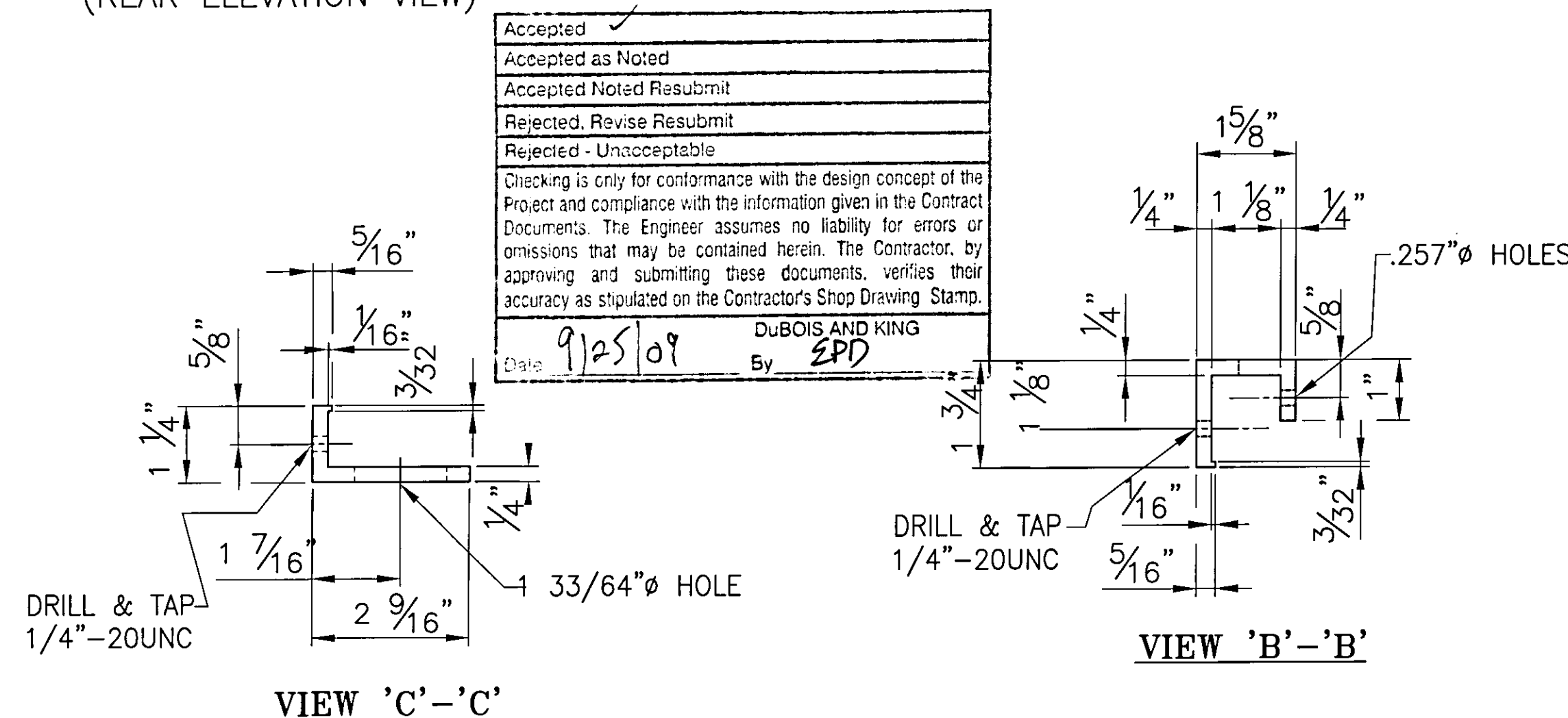
L.B. FOSTER COMPANY
 1016 GREENTREE ROAD
 PITTSBURGH, PENNSYLVANIA 15220

FOR: F. R. LAFAYETTE, INCORPORATED
 VERMONT AGENCY OF TRANSPORTATION
 CITY OF BARRE, COUNTY OF WASHINGTON
 BRIDGE RAILING FOR PROSPECT ST. OVER STEVENS BRANCH
 3L ALUM BRIDGE RAILING ~ MITERED BALUSTER PANEL DETAILS

MADE CMS DATE 08/09/09 JOB No. AR0569 CUST. No.
 CHECK BLJ DATE 08/17/09 DRAWING LB13 REV. No. ONE



SEE LB13A FOR BP17 DETAILS



ANODIZED
 (SEE LB5 FOR SPECS.)

REV.	DESCRIPTION	BY	DATE
1	GENERAL REVISION	CMS	09 13 09