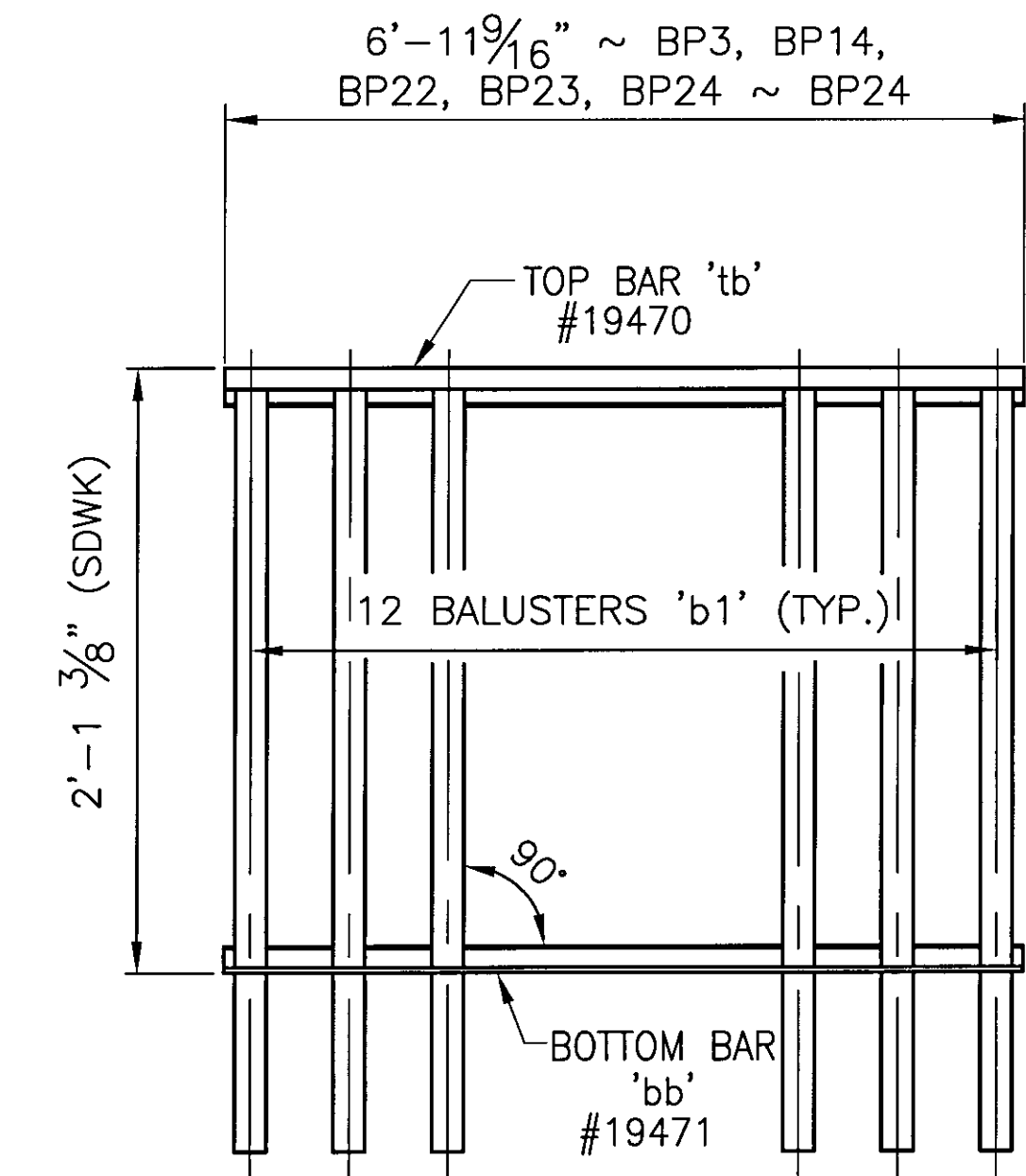
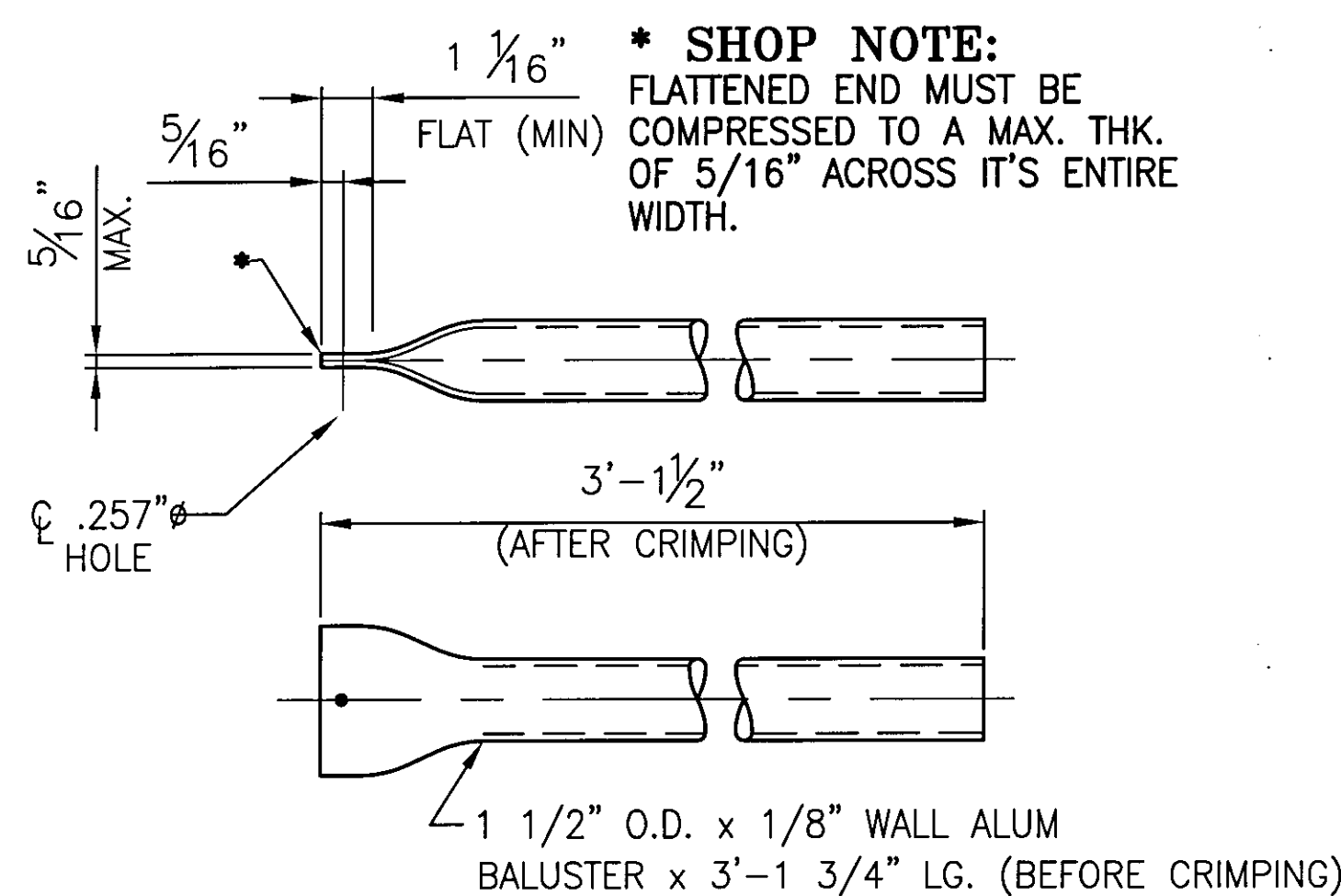


**TYPICAL ELEVATION**  
 Δ 1/4"-20UNC S.S. SOCKET SET SCREW x 1/2" - 'SS1' (#22079) EVERY OTHER SPACE BETWEEN BALUSTERS IF POSSIBLE

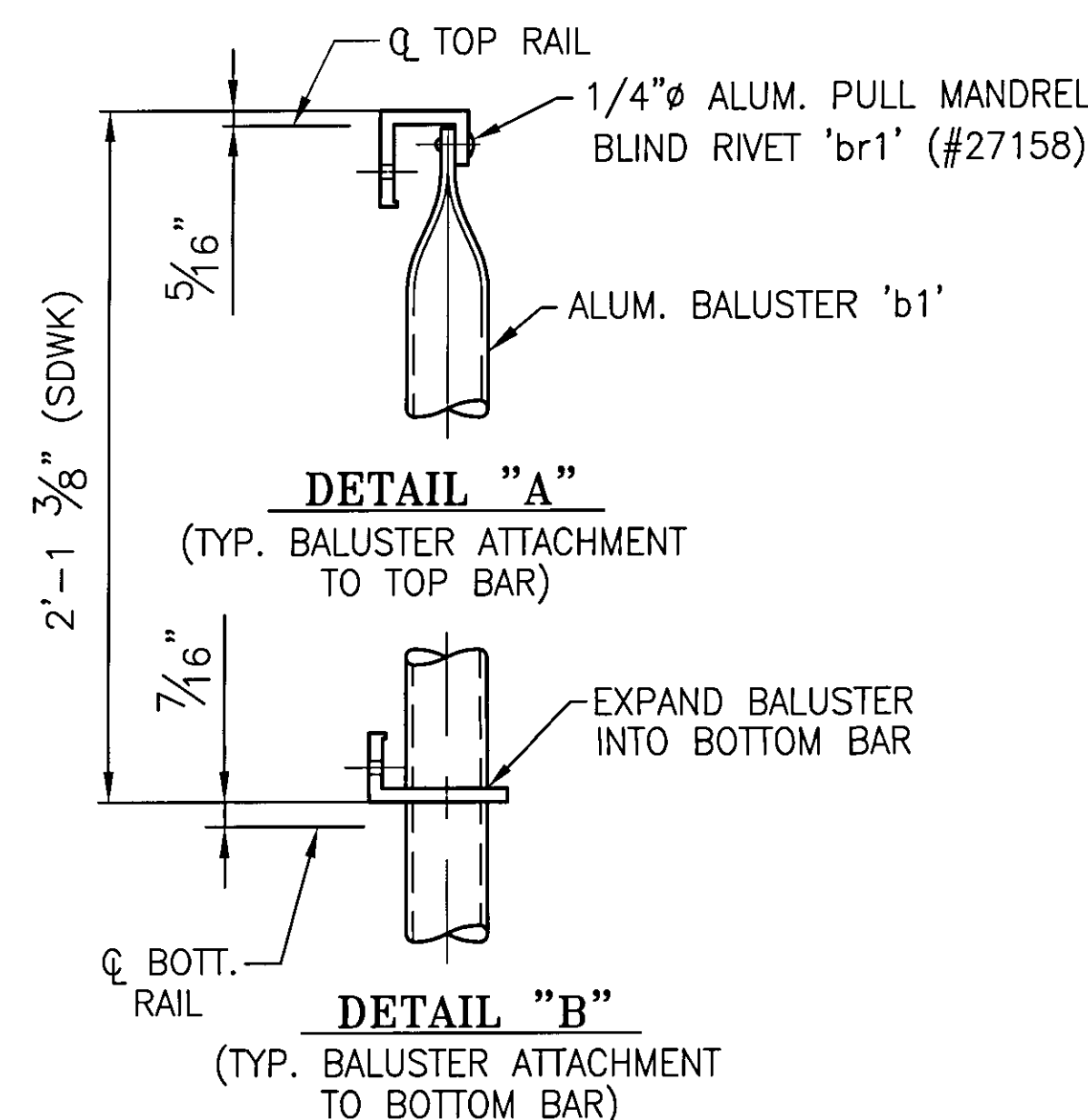


- ONE REQ'D. ~ BALUSTER PANEL ASSEMBLY 'BP3'
- ONE REQ'D. ~ BALUSTER PANEL ASSEMBLY 'BP14'
- ONE REQ'D. ~ BALUSTER PANEL ASSEMBLY 'BP22'
- ONE REQ'D. ~ BALUSTER PANEL ASSEMBLY 'BP23'
- ONE REQ'D. ~ BALUSTER PANEL ASSEMBLY 'BP24'

MARK	QTY	"A"	"B"	"C"	"D"	"E"	"F"	"G"	"H"	"J"	"K"	"L"	"M"	"N"	"P"	PANEL ASSY.
tb3 bb3	1	6'-11 9/16"	3 1/4"	11	6'-5"	3 5/16"	1'-11 3/8"	2'-0 7/16"	1 1/4"	5 1/2"	1'-9 9/16"	1'-8 7/16"	1'-2"	5 1/2"	1 5/16"	BP3
tb14 bb14	1	6'-11 9/16"	3 5/16"	11	6'-5"	3 1/4"	2'-0 1/4"	1'-11 9/16"	1 5/16"	5 1/2"	1'-10 1/2"	1'-7 1/2"	1'-2"	5 1/2"	1 1/4"	BP14
tb22 bb22	1	6'-11 9/16"	3 5/16"	11	6'-5"	3 1/4"	2'-10 1/8"	1'-1 11/16"	1 5/16"	1'-0 1/2"	1'-9"	2'-4"	-	5 1/2"	1 1/4"	BP22
tb23 bb23	1	6'-11 9/16"	3 5/16"	11	6'-5"	3 1/4"	2'-9 3/8"	1'-2 7/16"	1 5/16"	1'-0 1/2"	1'-9"	1'-9"	-	1'-0 1/2"	1 1/4"	BP23
tb24 bb24	1	6'-11 9/16"	3 5/16"	11	6'-5"	3 1/4"	2'-8 5/8"	1'-3 3/16"	1 5/16"	1'-0 1/2"	1'-9"	1'-9"	-	1'-0 1/2"	1 1/4"	BP24



60 ~ REQ'D BALUSTERS 'b1'  
 #19451



NOTE: FOR GEN. NOTES AND TYP. DETAILS SEE DWG LB1

Accepted	Accepted as Noted
Accepted - Noted Resubmit	Rejected - Revise Resubmit
Rejected - Unacceptable	

Checking is only for conformance with the design concept of the Project and compliance with the information given in the Contract Documents. The Engineer assumes no liability for errors or omissions that may be contained herein. The Contractor, by approving and submitting these documents, verifies their accuracy as stipulated on the Contractor's Shop Drawing Stamp.

Date: 9/25/09 By: DuBOIS AND KING / EPD

REV.	DESCRIPTION	BY	DATE
1	REVISED PER APPROVER COMMENTS	CMS	09 13 09

**ANODIZED**  
 (SEE LB5 FOR NOTES)

BRIDGE No. 7  
 PROJECT No. BHF 6000 (15) S  
 ITEM No: 900.640

APPROVED:	REC'D APPROVAL
DRAWING	
<b>L.B. FOSTER COMPANY</b> 1016 GREENTREE ROAD PITTSBURGH, PENNSYLVANIA 15220	
FOR: F. R. LAFAYETTE, INCORPORATED VERMONT AGENCY OF TRANSPORTATION CITY OF BARRE, COUNTY OF WASHINGTON BRIDGE RAILING FOR PROSPECT ST. OVER STEVENS BRANCH 3L ALUM BRIDGE RAILING ~ BALUSTER PANEL DETAILS	
MADE CMS DATE 08/09/09 JOB No. ARO569 CUST. No.	CHECKED BLJ DATE 08/17/09 DRAWING LB12 REV. No. ONE