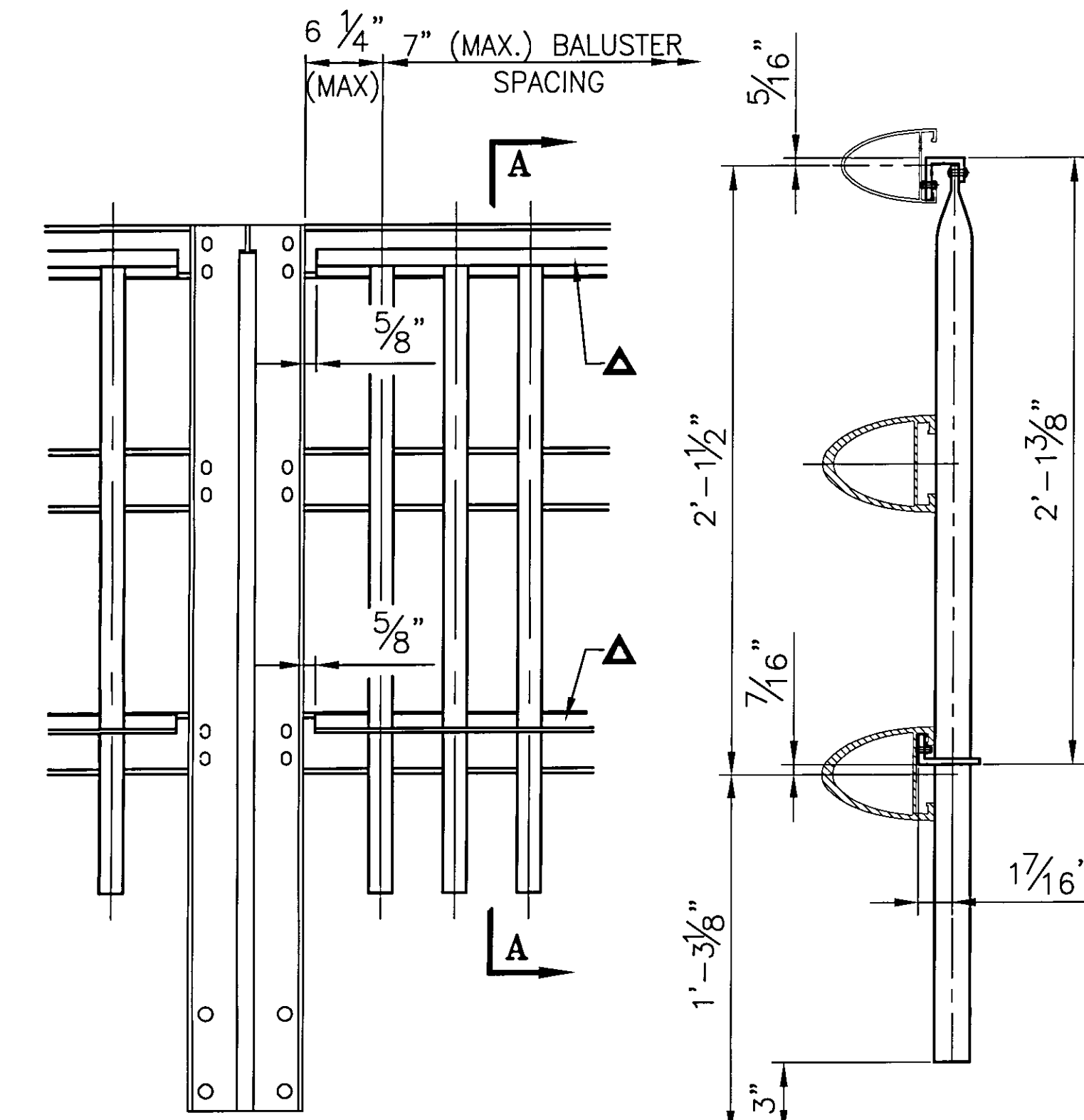
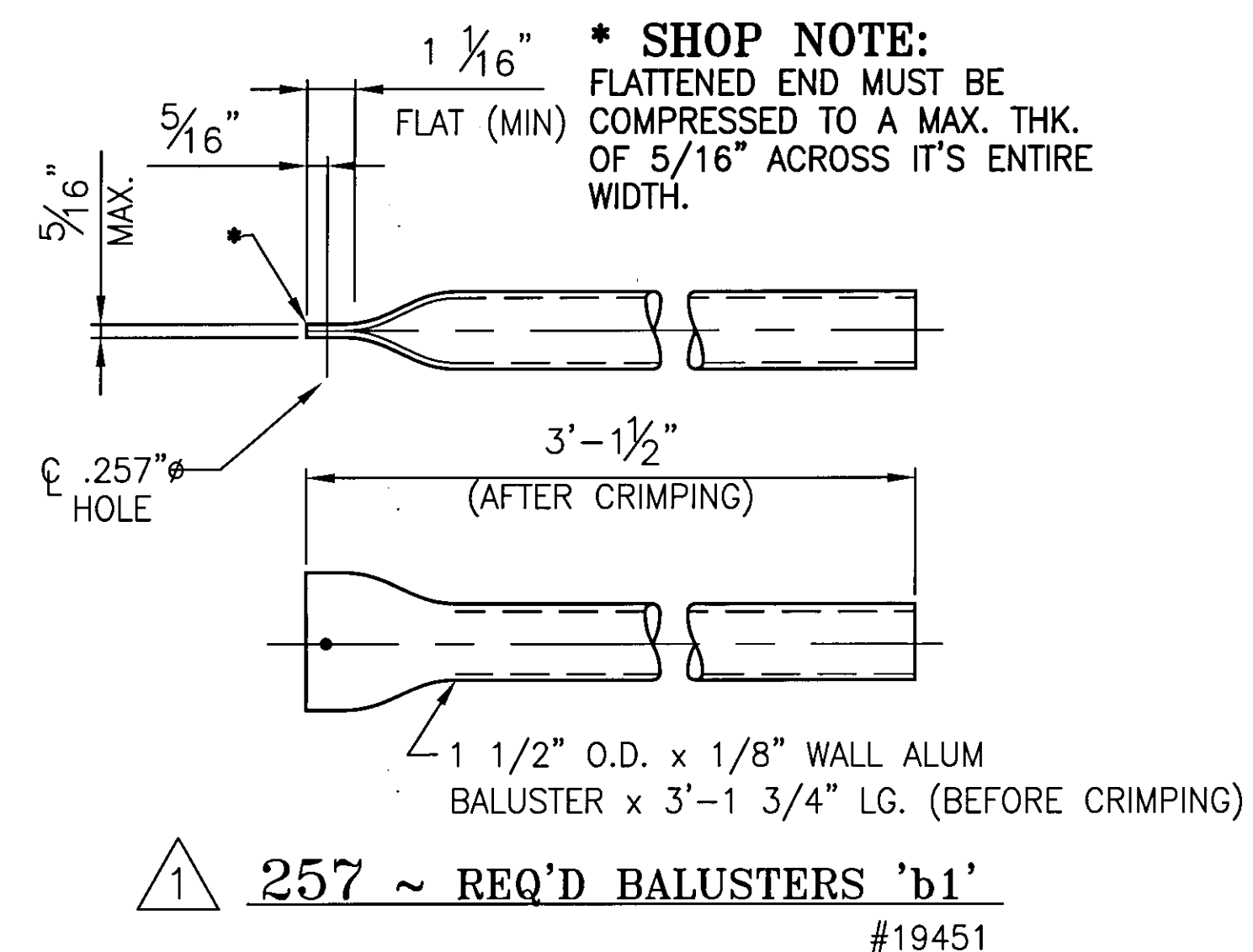
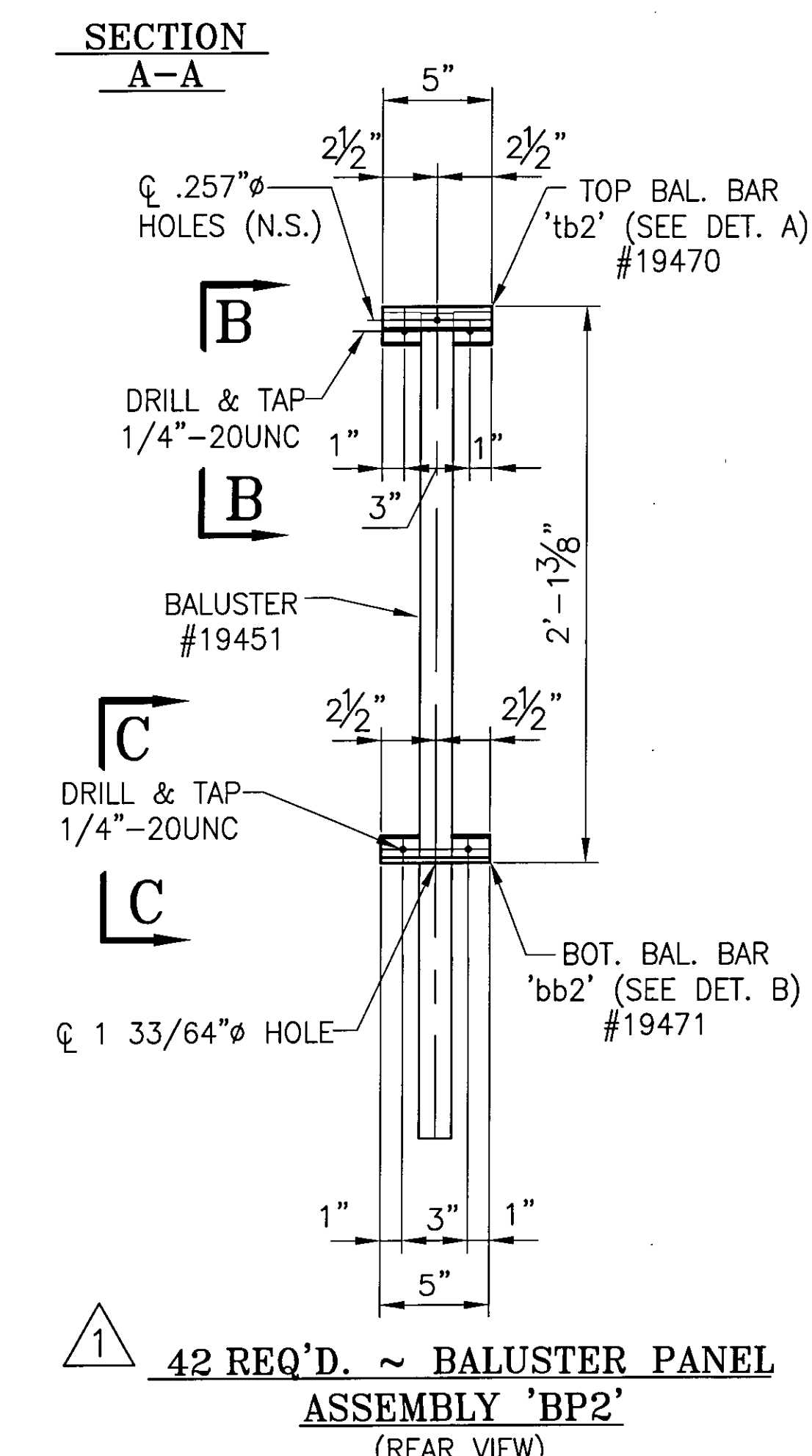
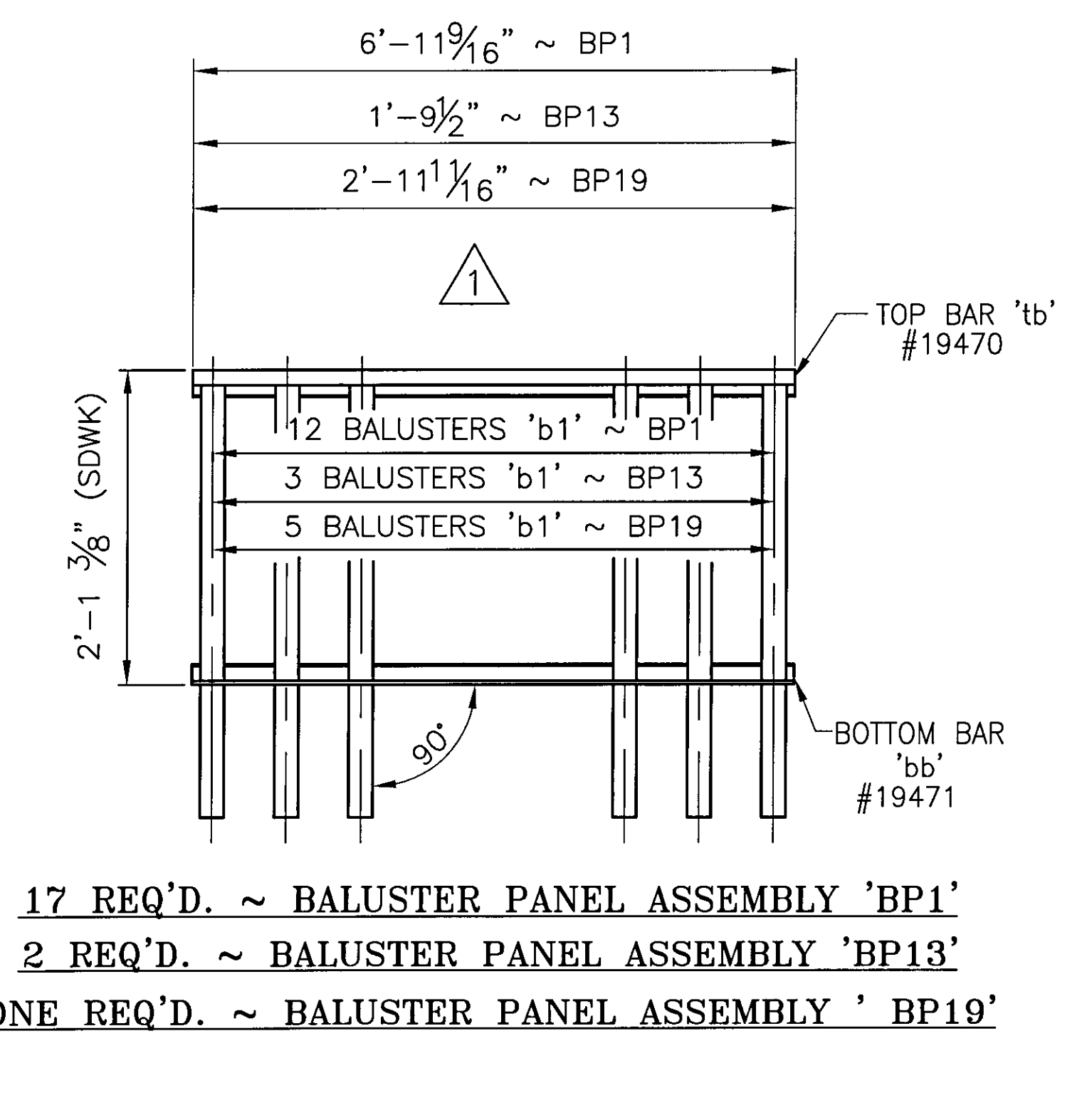
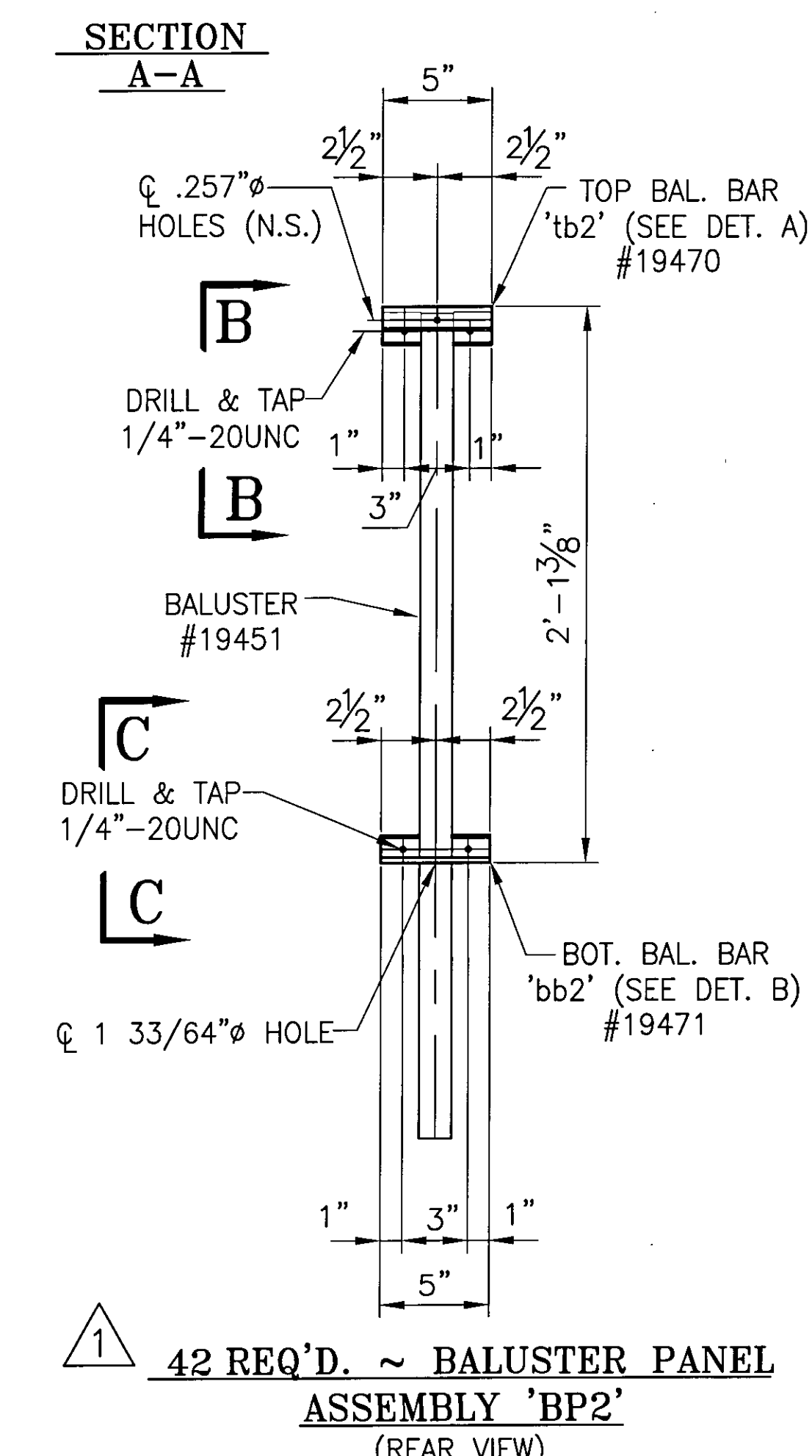
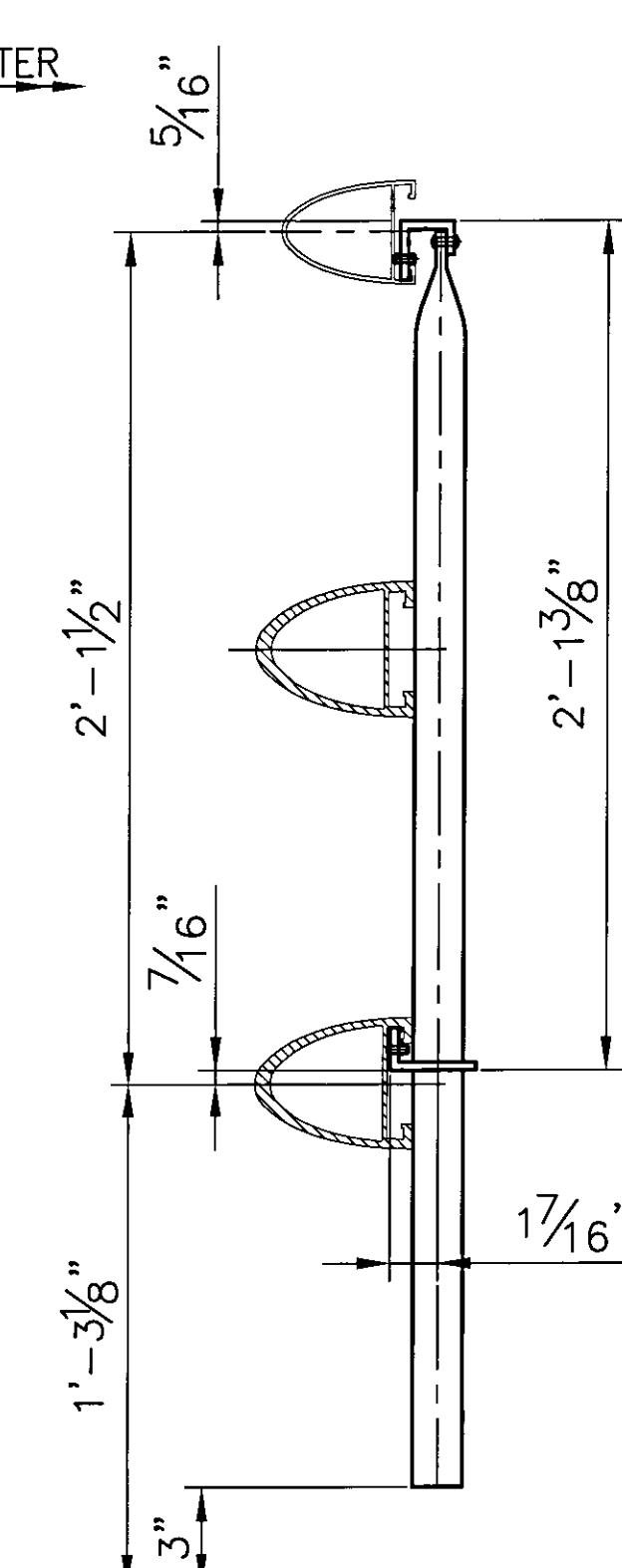


MARK	QTY	"A"	"B"	"C"	"D"	"E"	"F"	"G"	"H"	"J"	"K"	"L"	PANEL ASSY.
tb1 bb1	17	6'-11 9/16"	3 1/4"	11	6'-5"	3 5/16"	1 1/4"	5 1/2"	5	5'-10"	5 1/2"	1 5/16"	BP1
tb13 bb13	2	1'-9 1/2"	3 3/4"	2	1'-2"	3 3/4"	1 1/2"	1'-0 3/4"	-	-	5 3/4"	1 1/2"	BP13
tb19 bb19	1	2'-11 11/16"	3 7/8"	4	2'-4"	3 7/8"	1 9/16"	5 3/4"	1	1'-2"	1'-0 3/4"	1 5/8"	BP19



**TYPICAL ELEVATION**

▲ 1/4"-20UNC S.S. SOCKET SET SCREW x 1/2" - 'SS1' (#22079) EVERY OTHER SPACE BETWEEN BALUSTERS IF POSSIBLE



**ANODIZED**  
(SEE LB5 FOR NOTES)

Accepted
Accepted as Noted
Accepted Noted Resubmit
Rejected - Revise Resubmit
Rejected - Unacceptable

Checked by: **DUBOIS AND KING**  
By: **ZPP**  
Date: **9/25/09**

NOTE: FOR GEN. NOTES AND TYP. DETAILS SEE DWG LB5

BRIDGE No. 7  
PROJECT No. BHF 6000 (15) S  
ITEM No: 900.640

APPROVED: \_\_\_\_\_ REC'D APPROVAL \_\_\_\_\_  
DRAWING \_\_\_\_\_

**L.B. FOSTER COMPANY**  
1016 GREENTREE ROAD  
PITTSBURGH, PENNSYLVANIA 15220

FOR: F. R. LAFAYETTE, INCORPORATED  
VERMONT AGENCY OF TRANSPORTATION  
CITY OF BARRE, COUNTY OF WASHINGTON  
BRIDGE RAILING FOR PROSPECT ST. OVER STEVENS BRANCH  
3L ALUM BRIDGE RAILING ~ BALUSTER PANEL DETAILS

MADE CMS DATE 08/06/09 JOB No. AR0569 CUST. No. \_\_\_\_\_  
CHECK BLJ DATE 8/17/09 DRAWING LB11 REV. No. ONE

REV.	DESCRIPTION	BY	DATE
1	REVISED PER APPROVER COMMENTS	CMS	09 13 09