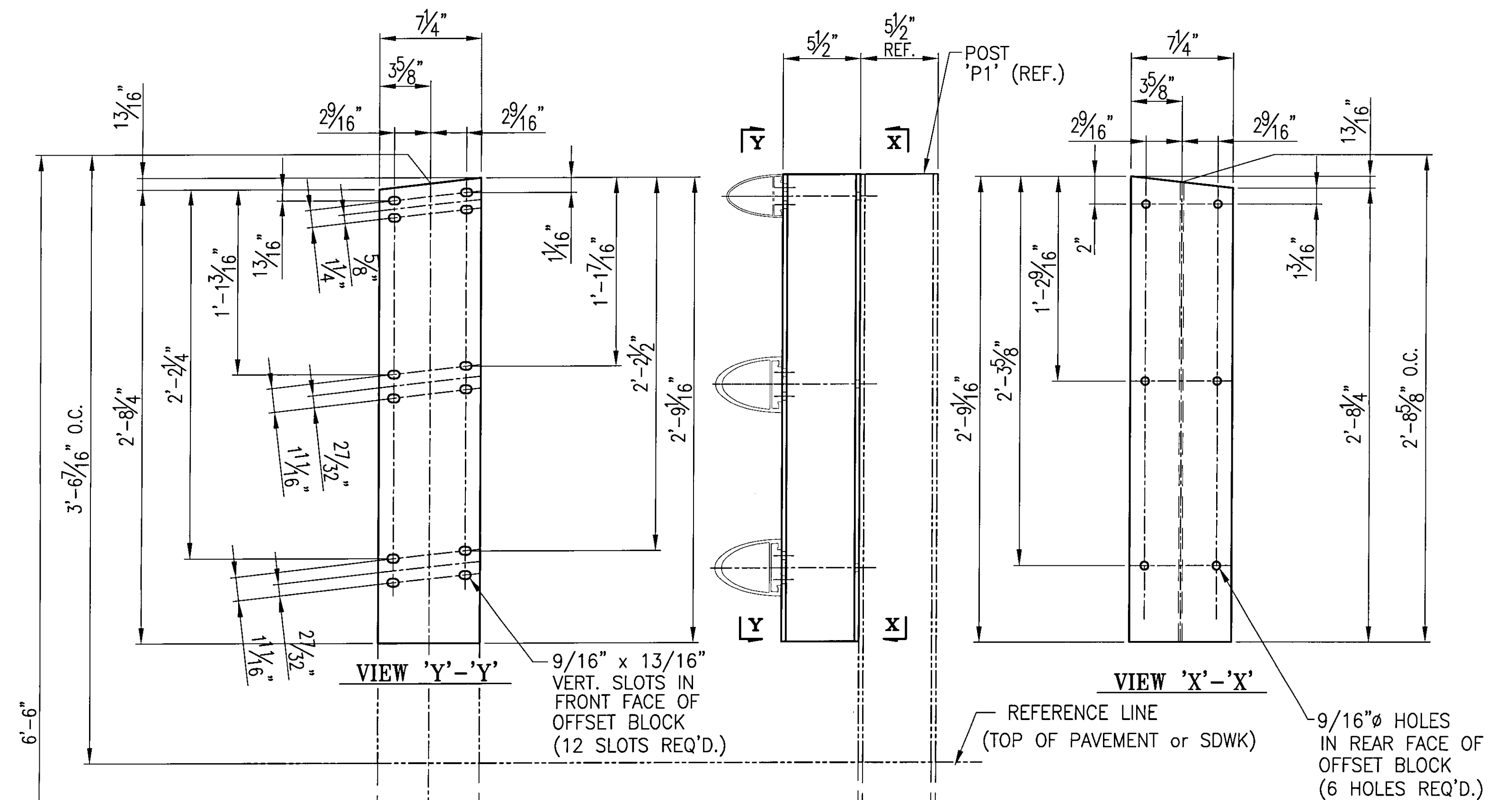
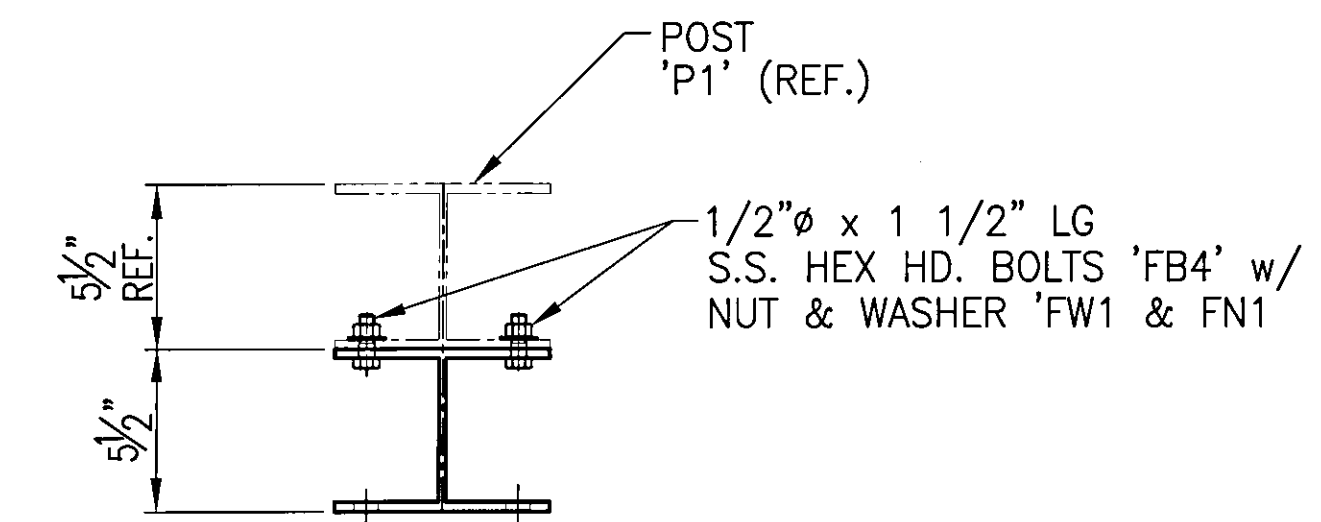


△ 5 ~ REQ'D FABRICATED RAIL POSTS P1

NOTE:
 2 CLAMPING BARS CB-01-H (#28596) PER POST
 4 CLAMPING BARS CB-03-A (#19447) PER POST
 w/ 1/2"Ø-13 UNC S.S. BOLT x 1" LG. 'FB1', 1 1/16" O.D. x 17/32" I.D. x 3/32" THK. ALUM WASHER 'FW1' (#15280 & # 19404) (16 PER POST)



△ 5 ~ REQ'D FABRICATED RAIL POST OFFSET BLOCK 'OB1'

Accepted as Noted	
Accepted Noted Resubmit	
Rejected, Revise Resubmit	
Rejected - Unacceptable	
Checking is only for conformance with the design concept of the Project and compliance with the information given in the Contract Documents. The Engineer assumes no liability for errors or omissions that may be contained herein. The Contractor, by approving and submitting these documents, verifies their accuracy as stipulated on the Contractor's Shop Drawing Stamp.	
Date 9/25/09	DuBOIS AND KING By EPD

ANODIZED
 (SEE LB5 FOR NOTES)

BRIDGE No. 7 PROJECT No. BHF 6000 (15) S ITEM No: 900.640

APPROVED: _____ REC'D APPROVAL _____
 DRAWING _____

L.B. FOSTER COMPANY
 1016 GREENTREE ROAD
 PITTSBURGH, PENNSYLVANIA 15220

FOR: F. R. LAFAYETTE, INCORPORATED
 VERMONT AGENCY OF TRANSPORTATION
 CITY OF BARRE, COUNTY OF WASHINGTON
 BRIDGE RAILING FOR PROSPECT ST. OVER STEVENS BRANCH
 3L ALUM BRIDGE RAILING ~ POST DETAILS BEHIND BLOCK WALL

△	REVISED PER APPROVER COMMENTS	CMS	09 13 09
REV.	DESCRIPTION	BY	DATE
MADE CMS DATE 07/01/09 JOB No. ARO569 CUST. No.		CHECK BLJ DATE 08/14/09 DRAWING LB6 REV. No. ONE	