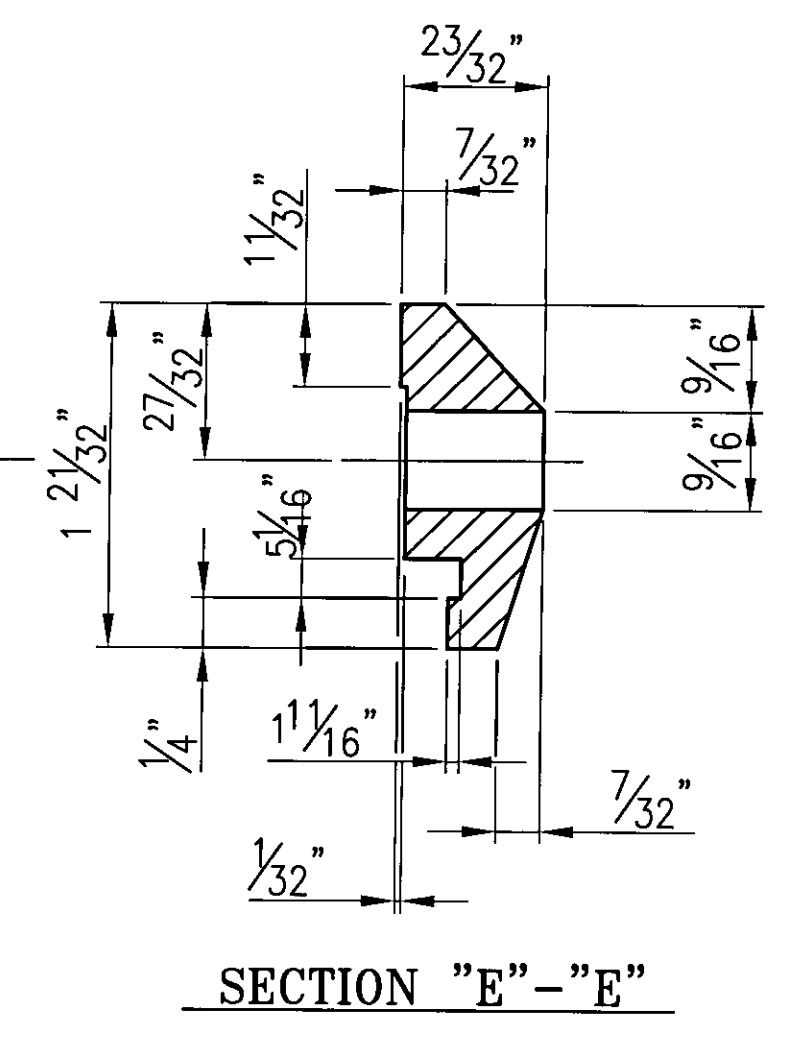
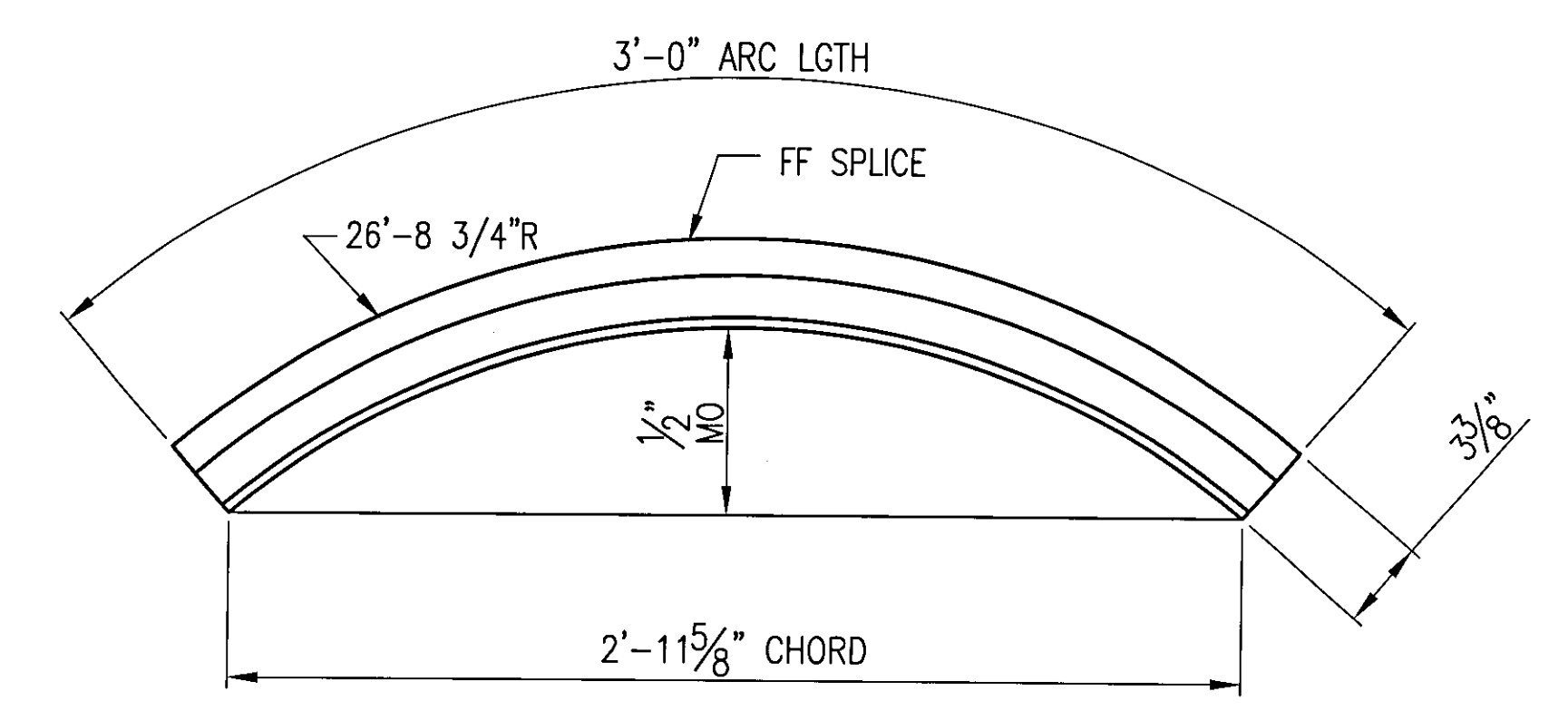


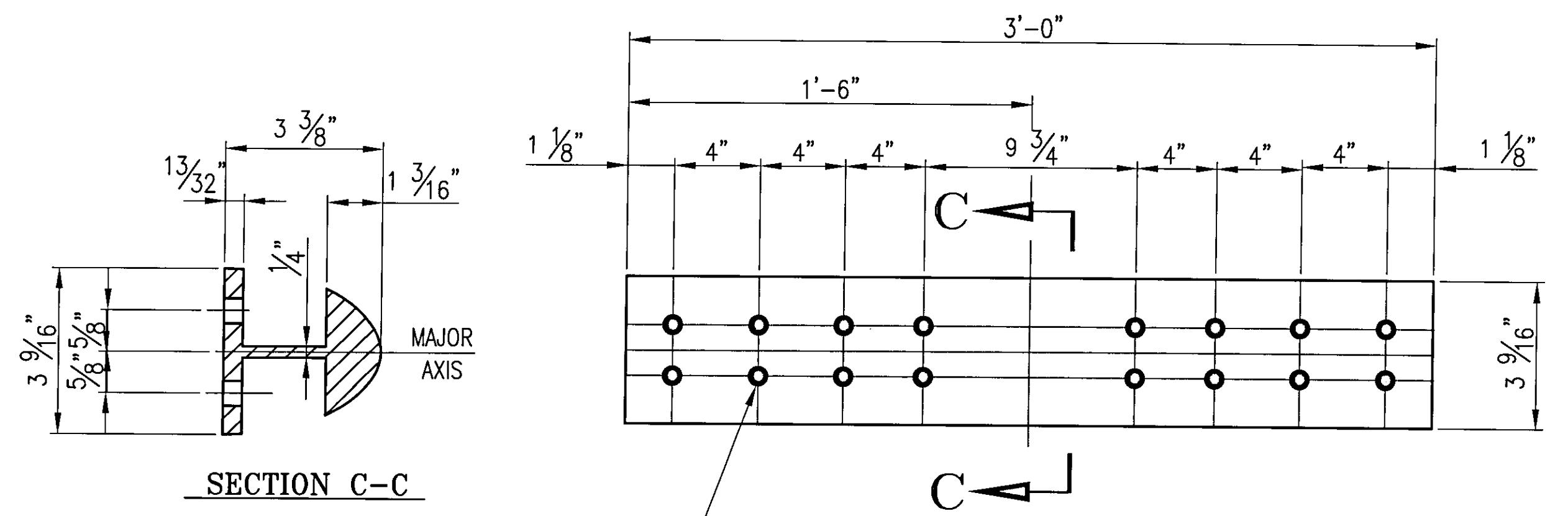
28 ~ REQ'D CLAMP BARS CB-03-A
#19447



SECTION "E"- "E"

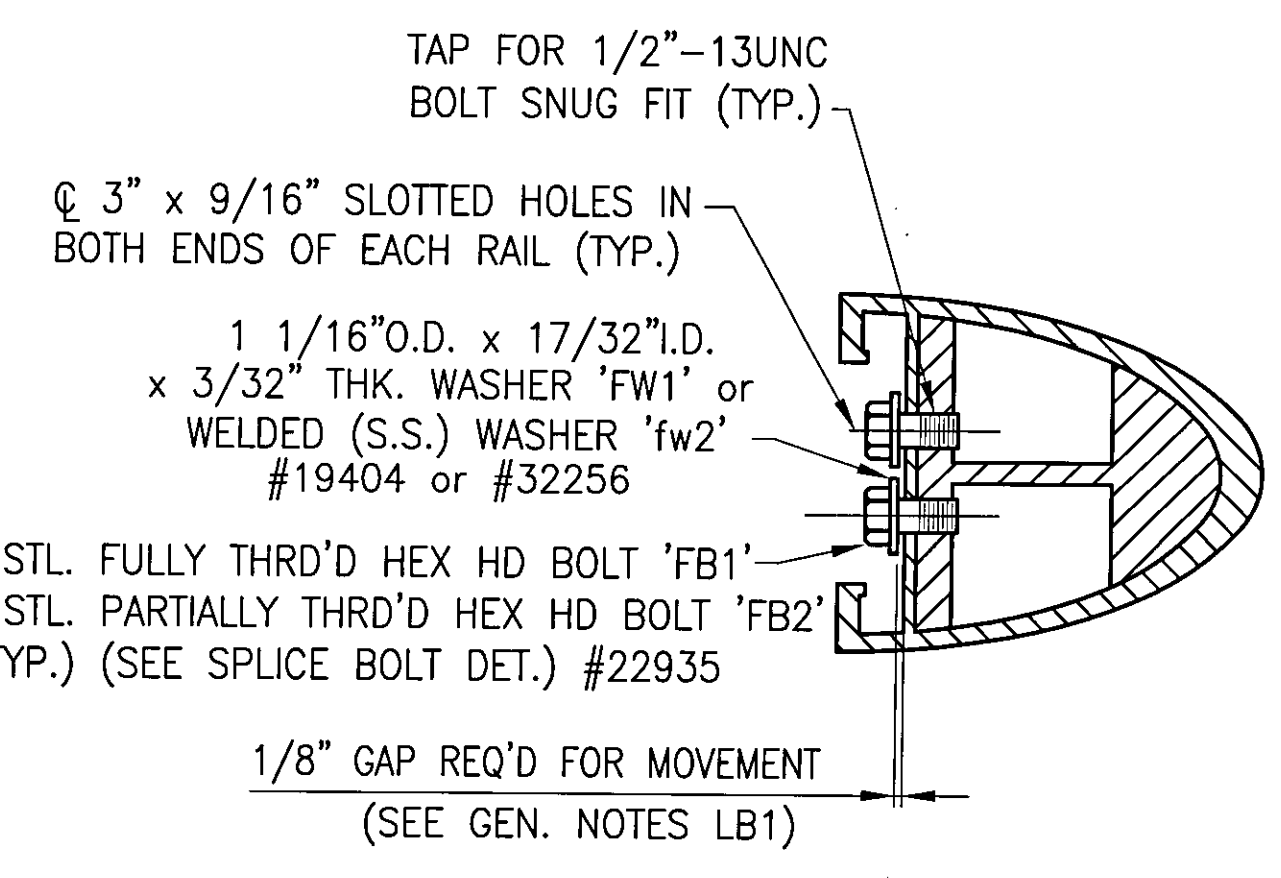


2 ~ REQ'D SPLICES SS-03-A
(REAR VIEW) #19502

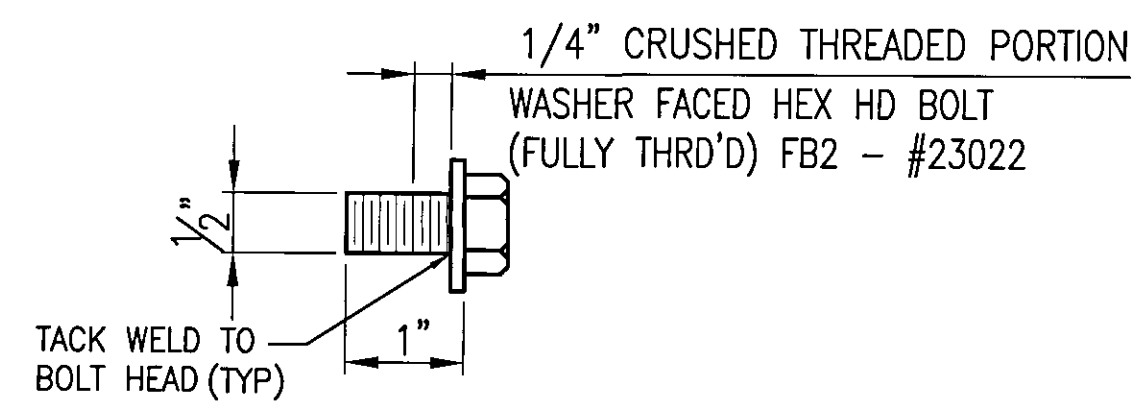


SECTION C-C

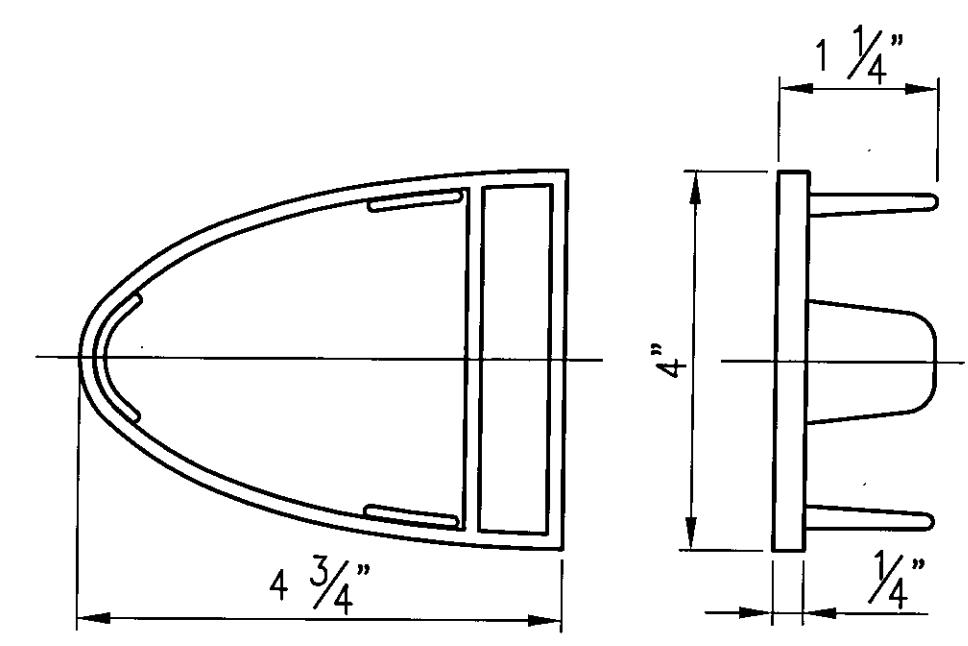
TAP FOR 1/2"-13UNC BOLT (TYP. 16 PLACES)(PARTIALLY THRD'D) TIGHTEN SECURELY TO THE END OF THREADS AND LEAVING AN 1/8" GAP.



BRIDGE RAIL AND SPLICE BAR - ASSEMBLY DETAIL



SPLICE BOLT DETAILS



4 ~ REQ'D. ALUM
END CAPS EC1
#19345

Accepted as Noted	<input checked="" type="checkbox"/>
Accepted Noted Resubmit	<input type="checkbox"/>
Rejected. Revise Resubmit	<input type="checkbox"/>
Rejected - Unacceptable	<input type="checkbox"/>
Checking is only for conformance with the design concept of this Project and compliance with the information given in the Contract Documents. The Engineer assumes no liability for errors or omissions that may be contained herein. The Contractor, by approving and submitting these documents, verifies their accuracy as stipulated on the Contractors Shop Drawing Stamp.	
Date	9/27/09
By	DUBOIS AND KING zpb

ANODIZED
(SEE LB1 FOR NOTES)

BRIDGE No. 7
PROJECT No. BHF 6000 (15) S
ITEM No. 900.640

APPROVED:	REC'D APPROVAL
DRAWING	
L.B. FOSTER COMPANY 1016 GREENTREE ROAD PITTSBURGH, PENNSYLVANIA 15220	
FOR: F. R. LAFAYETTE, INCORPORATED VERMONT DEPARTMENT OF TRANSPORTATION CITY OF BARRE, COUNTY OF WASHINGTON - BURNHAM STREET CORNER DETAIL - BRIDGE RAILING FOR PROSPECT ST. OVER STEVENS BRANCH MISC. RAILING DETAILS	
MADE CMS DATE 06/27/09 JOB No. ARO569 CUST. No.	CHECK BLJ DATE 07/06/09 DRAWING LB4 REV. No.

REV.	DESCRIPTION	BY	DATE