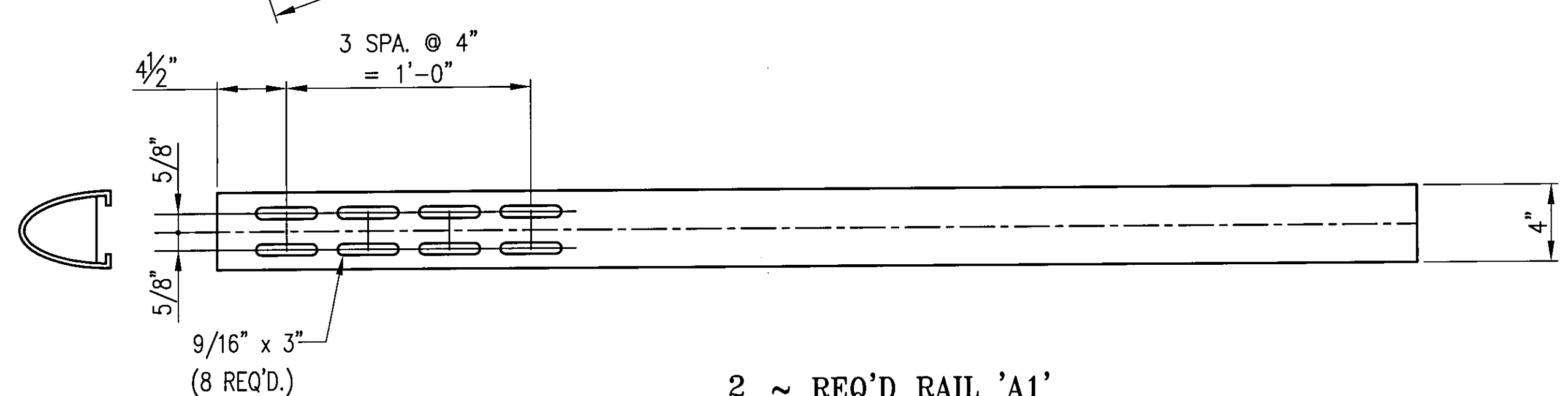
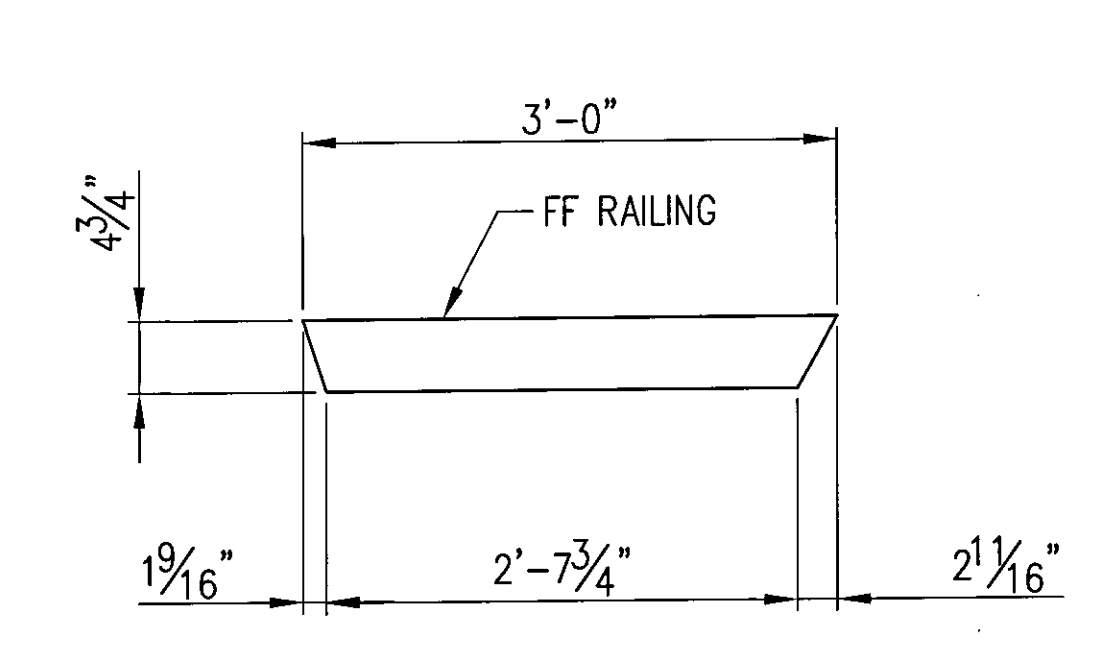


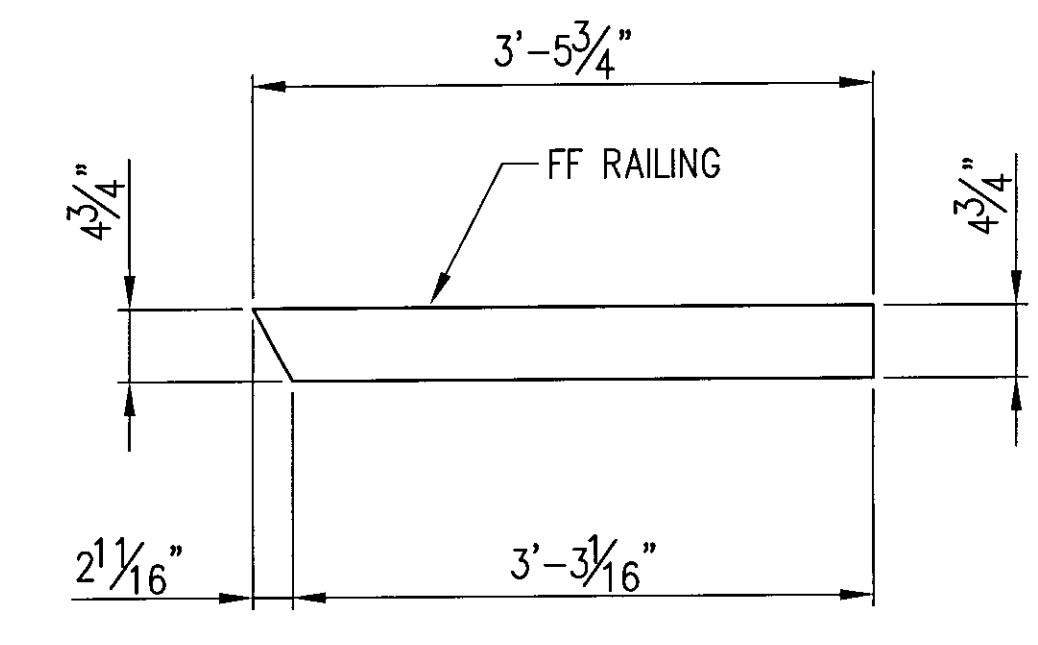
2 ~ REQ'D COMPOUND MITERED RAIL 'A2'
 2 PCS. RAILING 'a2a' x 8'-2 3/8" LG.
 2 PCS. RAILING 'a2b' x 3'-0" LG.
 2 PCS. RAILING 'a2c' x 3'-5 3/4" LG.



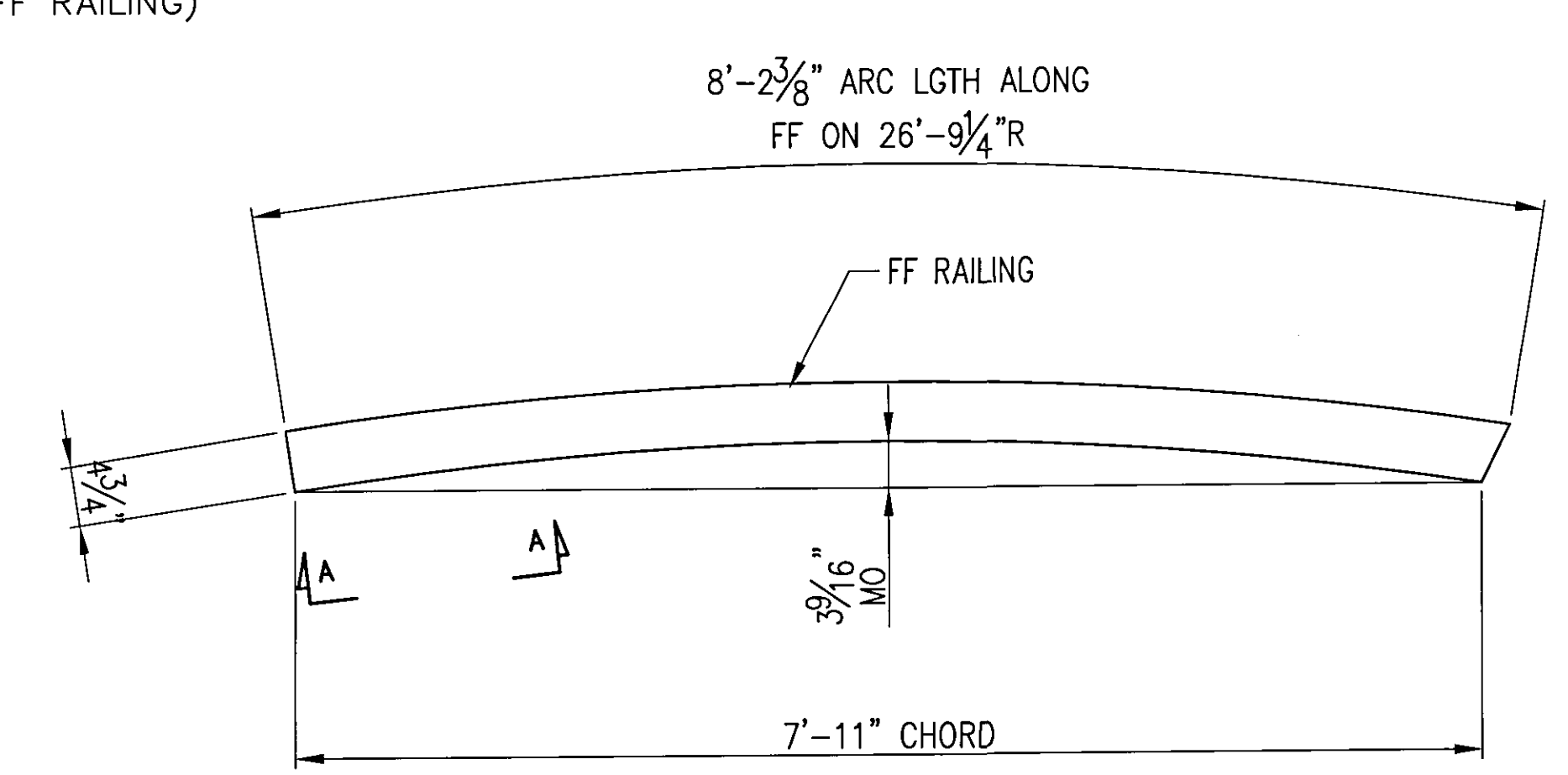
2 ~ REQ'D RAIL 'A1'
 (REAR VIEW)
 2 PCS. RAILING x 23'-6" LG. (ALONG FF RAILING)



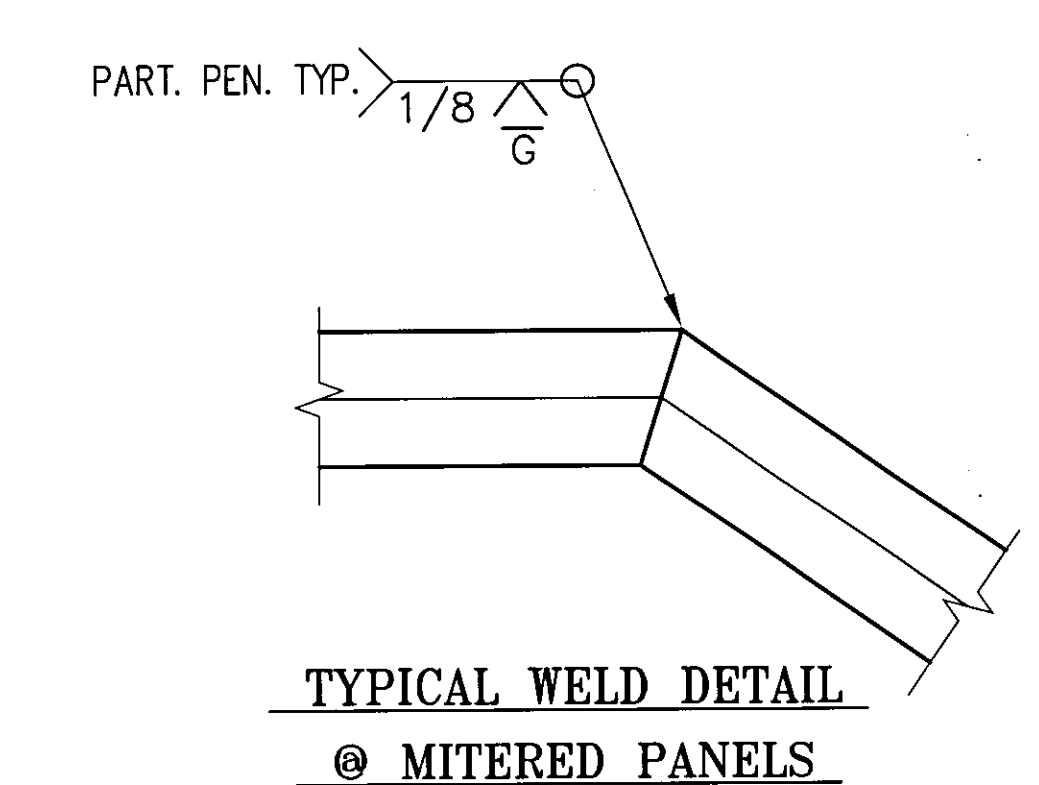
2 ~ REQ'D MITERED RAIL 'a2b'
 (PLAN VIEW)



2 ~ REQ'D MITERED RAIL 'a2c'
 (PLAN VIEW)



2 ~ REQ'D BENT/MITERED RAIL 'a2a'
 (PLAN VIEW)



Accepted	<input checked="" type="checkbox"/>
Accepted as Noted	<input type="checkbox"/>
Accepted Noted Resubmit	<input type="checkbox"/>
Rejected - Revise Resubmit	<input type="checkbox"/>
Rejected - Unacceptable	<input type="checkbox"/>

Checking is only for conformance with the design concept of the Project and compliance with the information given in the Contract Documents. The Engineer assumes no liability for errors or omissions that may be contained herein. The Contractor, by approving and submitting these documents, verifies their accuracy as stipulated on the Contractor's Shop Drawing, Stamp.

Date: 9/25/09 By: DuBois AND KING zpd

ANODIZED
 (SEE LB1 FOR NOTES)

REV.	DESCRIPTION	BY	DATE

BRIDGE No. 7
 PROJECT No. BHF 6000 (15) S
 ITEM No: 900.640

APPROVED: _____ REC'D APPROVAL _____
 DRAWING _____

L.B. FOSTER COMPANY
 1016 GREENTREE ROAD
 PITTSBURGH, PENNSYLVANIA 15220

FOR: F. R. LAFAYETTE, INCORPORATED
 VERMONT DEPARTMENT OF TRANSPORTATION
 CITY OF BARRE, COUNTY OF WASHINGTON - BURNHAM STREET
 CORNER DETAIL - BRIDGE RAILING FOR PROSPECT ST. OVER STEVENS BRANCH
 RAILING DETAILS

MADE CMS DATE 06/26/09 JOB No. ARO569 CUST. No.
 CHECK BLJ DATE 07/06/09 DRAWING LB3 REV. No.