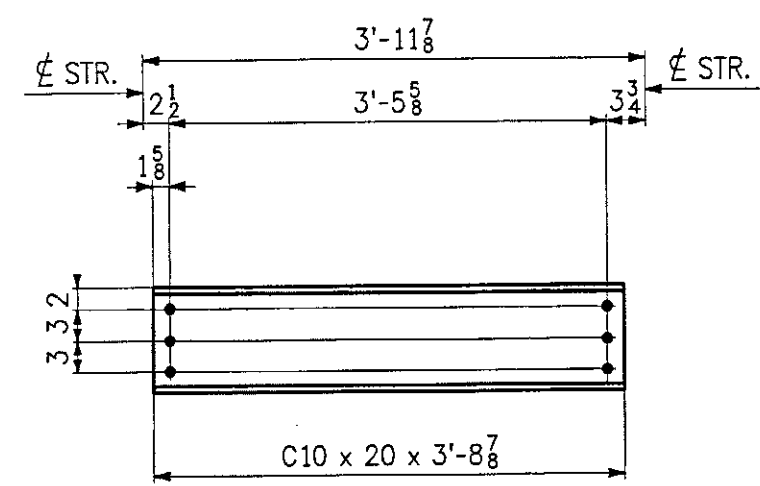
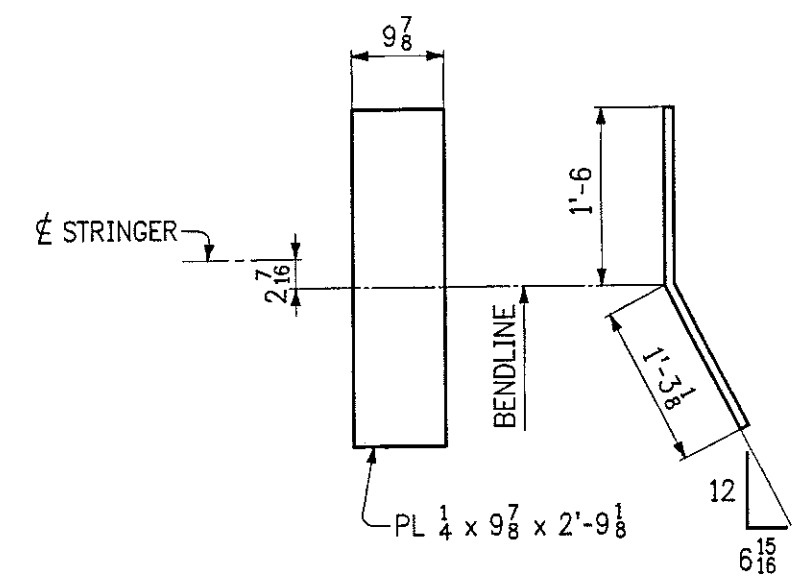


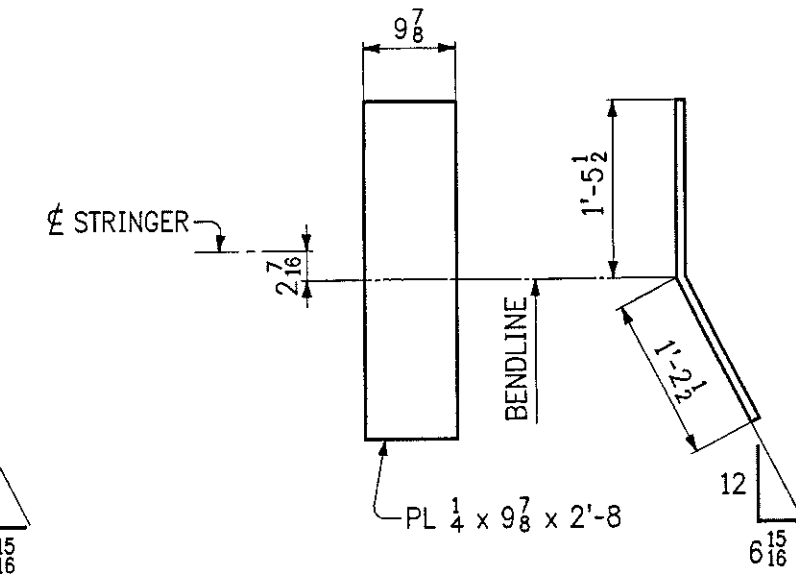
18 ~ DIAPHRAGMS ~ D1



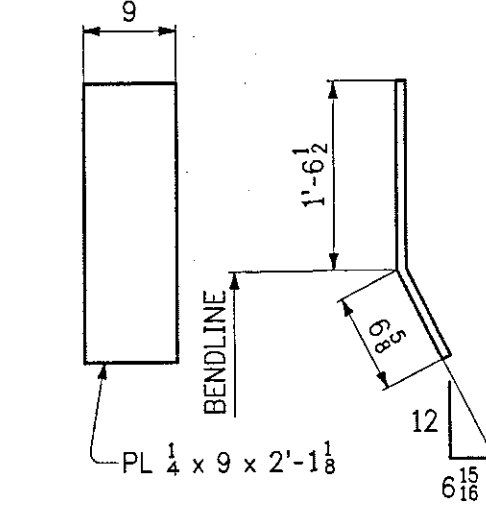
ONE ~ DIAPHRAGM ~ D2



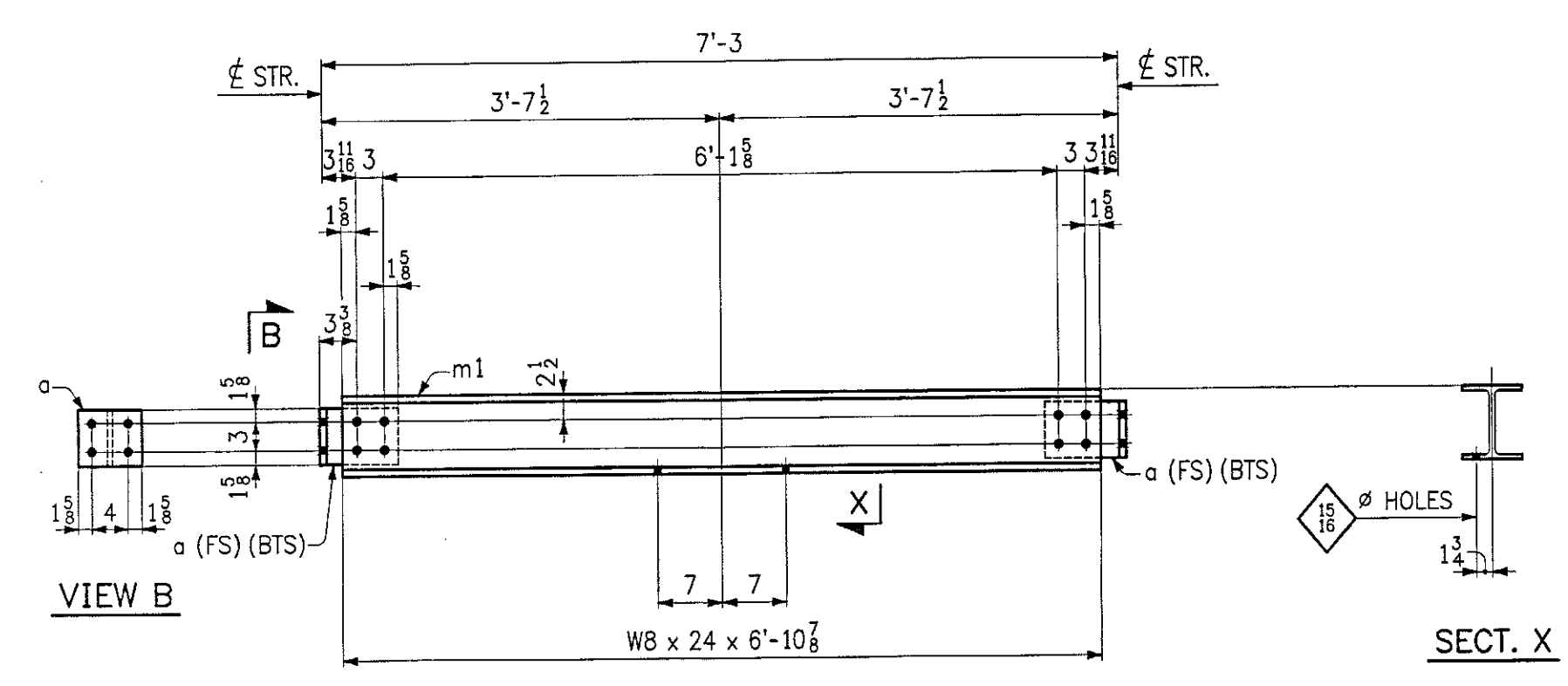
10 ~ PROTECTION PL'S ~ M1



4 ~ PROTECTION PL'S ~ M2



1 ~ PROTECTION PL ~ M3



6 ~ DIAPHRAGMS ~ D3

BILL OF MATERIAL						
SHIP MARK	QTY	PIECE MARK	DESCRIPTION	LENGTH FT	IN	PAGE LINE
D1	18		DIAPHRAGMS			3 1
	18		C15 x 33.9	6	10 1/4	3 2
D2	1		DIAPHRAGM			3 3
	1		C10 x 20	3	8 7/8	3 4
D3	6		DIAPHRAGMS			3 5
	6	m1	W8 x 24	6	10 1/4	3 6
	12	o	W8 x 20	0	6 1/4	3 7
	24		1/8 MB	0	2	A307 W/NUT 4 1
	24		1/8 MW			A307 4 2
M1	10		PROTECTION PL'S			3 8
			PL 1/4 x 9 7/8	2	9 1/2	BENT 3 9
M2	4		PROTECTION PL'S			3 10
			PL 1/4 x 9 7/8	2	8	BENT 3 11
M3	1		PROTECTION PL			3 12
			PL 1/4 x 9	2	1 1/8	BENT 3 13

REVISIONS			PRINT RECORD		
NO.	DATE	DESCRIPTION	DATE	QTY.	ISSUED
			9/7	1P	APP.
			5/29	1P	APP.
			8/5	7R	APP.

**MEGQUIER & JONES INC.**  
STRUCTURAL STEEL SINCE 1895  
1156 BROADWAY  
SOUTH PORTLAND, MAINE 04106

PAINT:	HOLES U.N. 1/8"	WELD U.N.	D.C. REVIEW
PROJECT:	PROSPECT ST. OVER STEVENS BRANCH PROJECT NO. BHF 6000 (15) S BARRE CITY, VERMONT	DATE: 5-4-09	DRAWN BY: J.S.
DESCRIPTION:	DIAPHRAGMS	CHECKED BY: S.C.C.	
ARCH:	N/A	ENGR: VERMONT AGENCY OF TRANSPORTATION	JOB NO. J-80
CUSTOMER:	S.D. IRELAND CONCRETE CONSTRUCTION CORP.		SHF. NO. 10