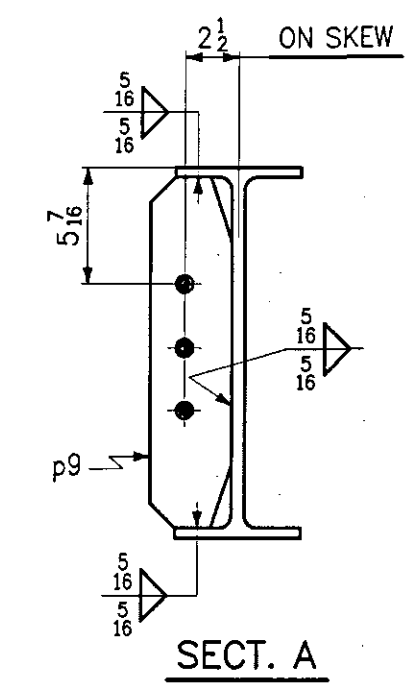
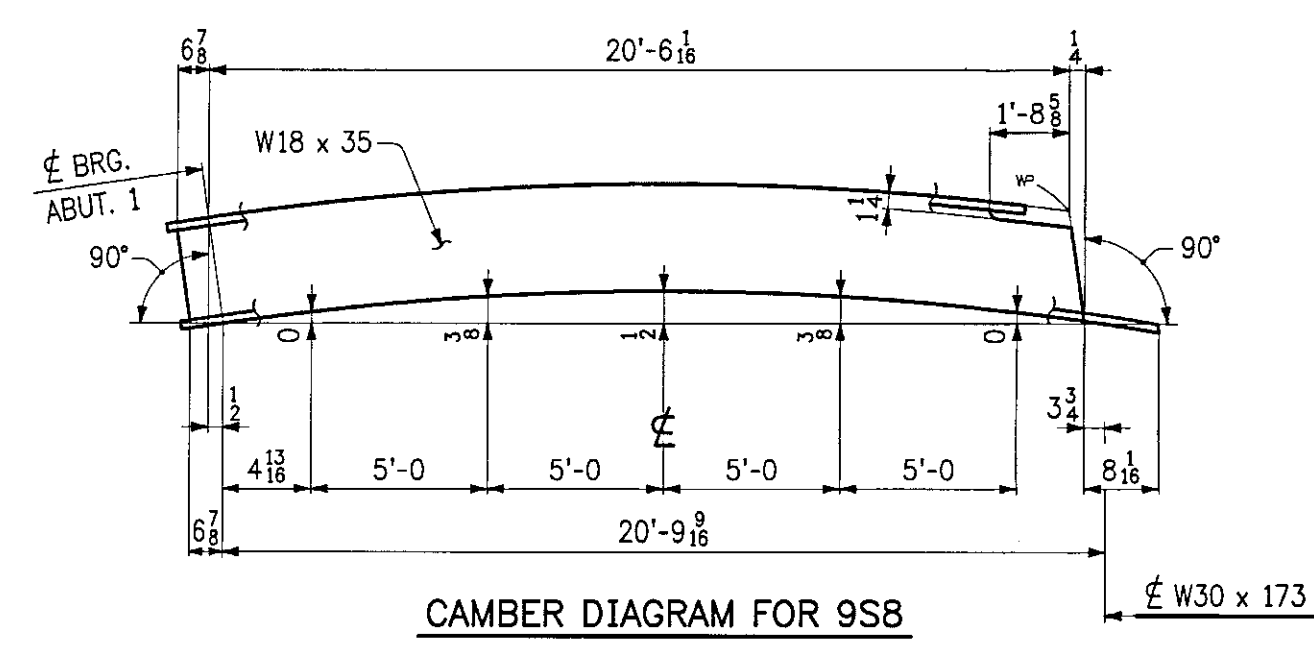


1 ~ STRINGER ~ 9SB



BILL OF MATERIAL						
SHIP MARK	QTY	PIECE MARK	DESCRIPTION	LENGTH FT IN	REMARKS	PAGE LINE
9SB	1		W18 x 35	21 9/16	(C/W)	1/6
	1	p9	PL 1/2 x 4	1 4/16		2/5
	1	p12	PL 1/2 x 17 1/2	0 10/16		2/4
	5		3/8" HSB	0 2 1/4	WISA, TYPE-3 W/OUT	3/2
	5		3/8" WASHER		M293-3	3/3

- NOTES:
- FOR STRINGER STANDARDS, SEE SHT. NO. 1.
 - FOR CAMBER DIAGRAM, SEE SHT. NO. 1.
 - FOR GENERAL NOTES, SEE SHT. NO. GN1.

REVISIONS		PRINT RECORD		
NO.	DATE	DESCRIPTION	DATE	QTY. ISSUED
			5/7	1P APPR.
			6/5	7P APPR.

MEGQUIER & JONES CORP.
 STRUCTURAL STEEL SINCE 1899
 1156 BROADWAY
 SOUTH PORTLAND, MAINE 04106

PAINT:	HOLES U.N. 8#	WELD U.N.	D.C. REVIEW
PROJECT:	PROSPECT ST. OVER STEVENS BRANCH BRIDGE NO. 7	DATE:	5-5-09
	PROJECT NO. BHF 6000 (15) S BARRE CITY, VERMONT	DRAWN BY:	JF
DESCRIPTION:	STRINGER ~ 9SB	CHECK BY:	GD/C
ARCH:	N/A	ENGR:	VERMONT AGENCY OF TRANSPORTATION
CUSTOMER:	S.D. IRELAND CONCRETE CONSTRUCTION CORP.	JOB NO.:	J-80
		SHT. NO.:	9