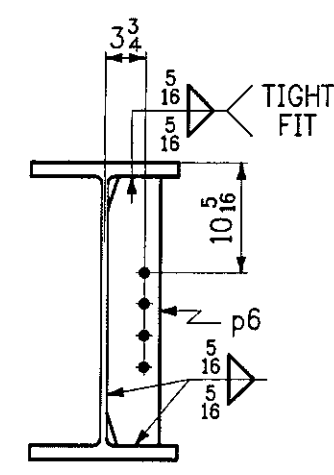
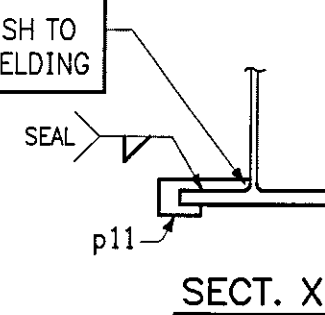


BILL OF MATERIAL						
SHIP MARK	QTY	PIECE MARK	DESCRIPTION	LENGTH	REMARKS	PAGE LINE
8S7	1		W27 x 194	63	(CVN)	11
	3	p6	PL 1/2 x 5	2		2
	1	p11	PL 1/2 x 3 1/2	0		2



NOTE:  
GRIND p11 FLUSH TO  
W27 BEFORE WELDING



- NOTES:
1. FOR STRINGER STANDARDS, SEE SHT. NO. 1.
  2. FOR CAMBER DIAGRAM, SEE SHT. NO. 1.
  2. FOR GENERAL NOTES, SEE SHT. NO. G01.

REVISIONS		PRINT RECORD			
NO.	DATE	DESCRIPTION	DATE	QTY.	ISSUED
			5/7	1P	APPD.
			6/5	7P	APPD.

**MEGQUIER & JONES CORP.**  
STRUCTURAL STEEL SINCE 1895  
1156 BROADWAY  
SOUTH PORTLAND, MAINE 04106

PAINT:	HOLES U.N. 1/8"	WELD U.N. 1/8"	D.C. REVIEW
PROJECT:	PROSPECT ST. OVER STEVENS BRANCH PROJECT NO. BHF 6000 (15) S BRIDGE NO. 7 BARRE CITY, VERMONT	DATE:	5-5-09
DESCRIPTION:	STRINGER ~ 8S7	DRAWN BY:	JF
ARCH:	N/A	ENGR:	VERMONT AGENCY OF TRANSPORTATION
CUSTOMER:	S.D. IRELAND CONCRETE CONSTRUCTION CORP.	JOB NO.:	J-80
		SHT. NO.:	8