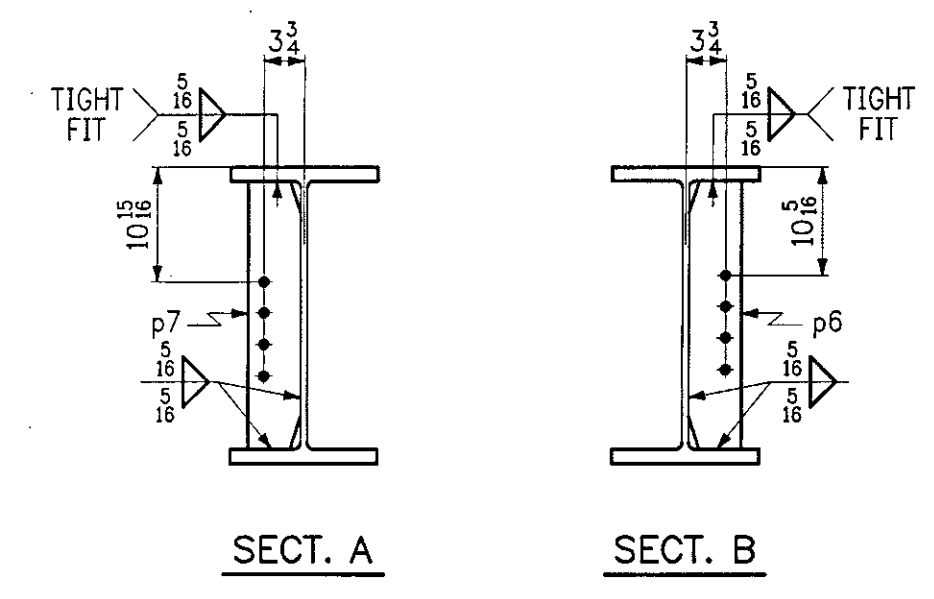


1 ~ STRINGER ~ 7S6

BILL OF MATERIAL						
SHIP MARK	QTY	PIECE MARK	DESCRIPTION	LENGTH FT	IN	PAGE LINE
7S6	1		W27 x 194	63	3 1/8	(CVN) 1-1
	3	p6	PL 1/2 x 5	2	1 1/2	2-1
	3	p7	PL 1/2 x 5	2	1 1/2	2-2



- NOTES:**
1. FOR STRINGER STANDARDS, SEE SHT. NO. 1.
  2. FOR CAMBER DIAGRAM, SEE SHT. NO. 1.
  3. FOR GENERAL NOTES, SEE SHT. NO. GN1.

REVISIONS		PRINT RECORD		
NO.	DATE	DESCRIPTION	DATE	QTY. ISSUED
			5/7	1P APPR.
			6/5	7P APPR.

**MEGQUIER & JONES CORP.**  
 STRUCTURAL STEEL SINCE 1955  
 1156 BROADWAY  
 SOUTH PORTLAND, MAINE 04106

PAINT:	HOLES U.N. 1/8"	WELD U.N. 1/8"	O.C. REVIEW
PROJECT:	PROSPECT ST. OVER STEVENS BRANCH PROJECT NO. BHF 6000 (15) S BRIDGE NO. 7 BARRE CITY, VERMONT		DATE: 5-5-09 DRAWN BY: JF
DESCRIPTION:	STRINGER ~ 7S6		CHK'D BY: GOC
ARCH: N/A	ENGR: VERMONT AGENCY OF TRANSPORTATION	JOB NO. J-80	SHIT. NO. 7
CUSTOMER:	S.D. IRELAND CONCRETE CONSTRUCTION CORP.		