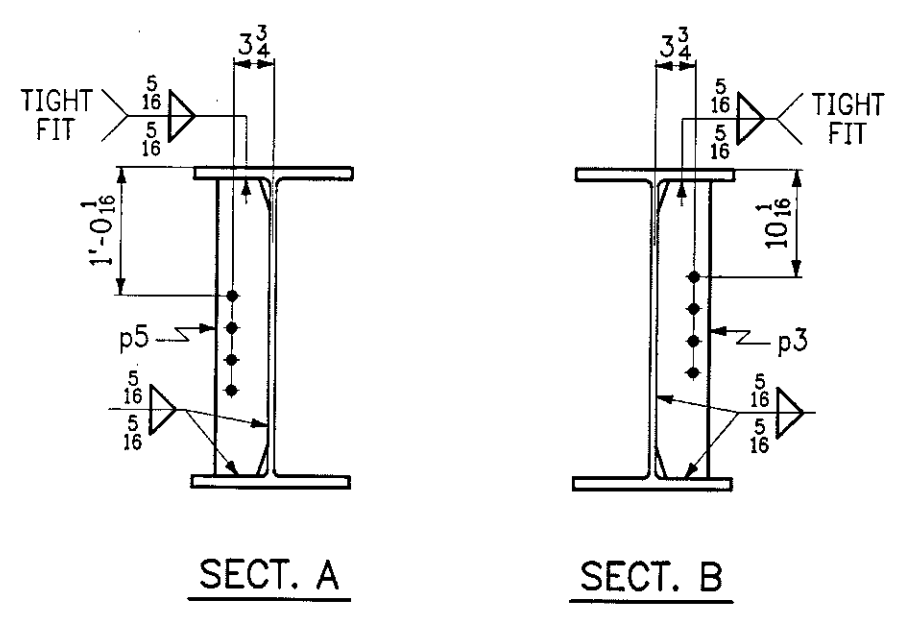


1 ~ STRINGER ~ 6S5

BILL OF MATERIAL						
SHIP MARK	QTY	PIECE MARK	DESCRIPTION	LENGTH FT IN	REMARKS	PAGE LINE
6S5	1		W30 x 173	63 4	(CWN)	1 10
	3	p3	PL 1/2 x 5	2 4 1/2		2 2
	3	p5	PL 1/2 x 5	2 4 1/2		2 2



- NOTES:**
1. FOR STRINGER STANDARDS, SEE SHT. NO. 1.
 2. FOR CAMBER DIAGRAM, SEE SHT. NO. 1.
 3. FOR GENERAL NOTES, SEE SHT. NO. GN1.

REVISIONS		PRINT RECORD		
NO.	DATE	DESCRIPTION	DATE	QTY ISSUED
			5/7	1P APP.
			6/5	7P APP.

MEGQUIER & JONES CORP.
 STRUCTURAL STEEL SINCE 1895
 1156 BROADWAY
 SOUTH PORTLAND, MAINE 04106

PAINT:	HOLES U.N. B*	WELD U.N.	D.C. REVIEW
PROJECT: PROSPECT ST. OVER STEVENS BRANCH PROJECT NO. BHP 6000 (15) S BRIDGE NO. 7 BARRE CITY, VERMONT	DATE: 5-5-09	DRAWN BY: JF	
DESCRIPTION: STRINGER ~ 6S5	CHK'D BY: GDC		
ARCH: N/A	ENGR: VERMONT AGENCY OF TRANSPORTATION	JOB NO. J-80	
CUSTOMER: S.D. IRELAND CONCRETE CONSTRUCTION CORP.		SHT. NO. 6	