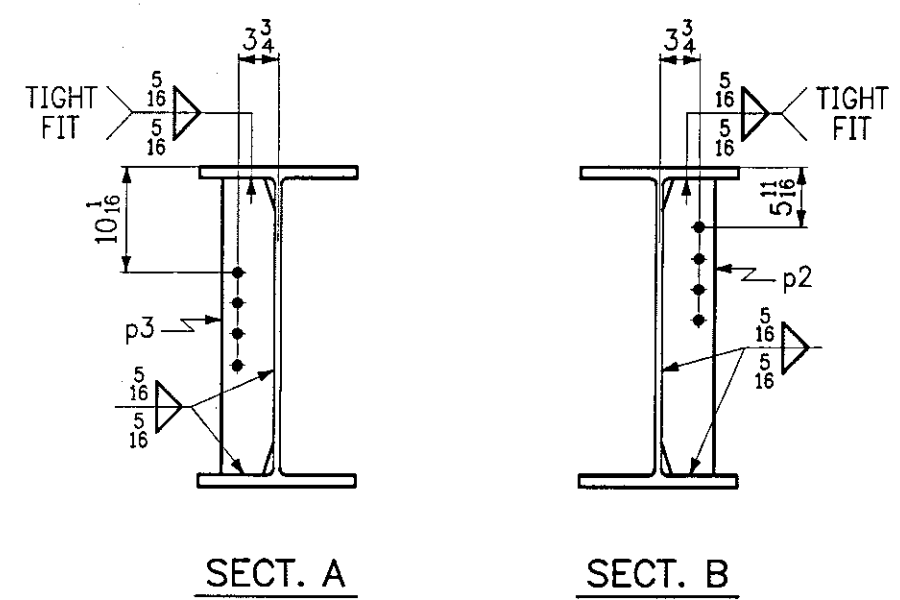


1 ~ STRINGER ~ 3S2

BILL OF MATERIAL						
SHIP MARK	QTY	PIECE MARK	DESCRIPTION	LENGTH FT IN	REMARKS	PAGE LINE
3S2	1		W30 x 173	63 4	(CVN)	1/10
	3	p2	PL 1/2 x 5	2 44		2/2
	3	p3	PL 1/2 x 5	2 44		2/2



- NOTES:**
1. FOR STRINGER STANDARDS, SEE SHT. NO. 1.
 2. FOR CAMBER DIAGRAM, SEE SHT. NO. 1.
 3. FOR GENERAL NOTES, SEE SHT. NO. GN1.

REVISIONS		PRINT RECORD			
NO.	DATE	DESCRIPTION	DATE	QTY.	ISSUED

MEGQUIER & JONES INC.
STRUCTURAL STEEL SINCE 1895
 1156 BROADWAY
 SOUTH PORTLAND, MAINE 04106

PAINT:	HOLES U.N.	WELD U.N.	Q.C. REVIEW
PROJECT:	PROSPECT ST. OVER STEVENS BRANCH PROJECT NO. BHF 6000 (15) S BRIDGE NO. 7 BARRE CITY, VERMONT	DATE:	5-5-09
DESCRIPTION:	STRINGER ~ 3S2	DRAWN BY:	JF
ARCH:	N/A	ENGR:	VERMONT AGENCY OF TRANSPORTATION
CUSTOMER:	S.D. IRELAND CONCRETE CONSTRUCTION CORP.	CHK'D BY:	GDC
		JOB NO.:	J-80
		SHT. NO.:	3