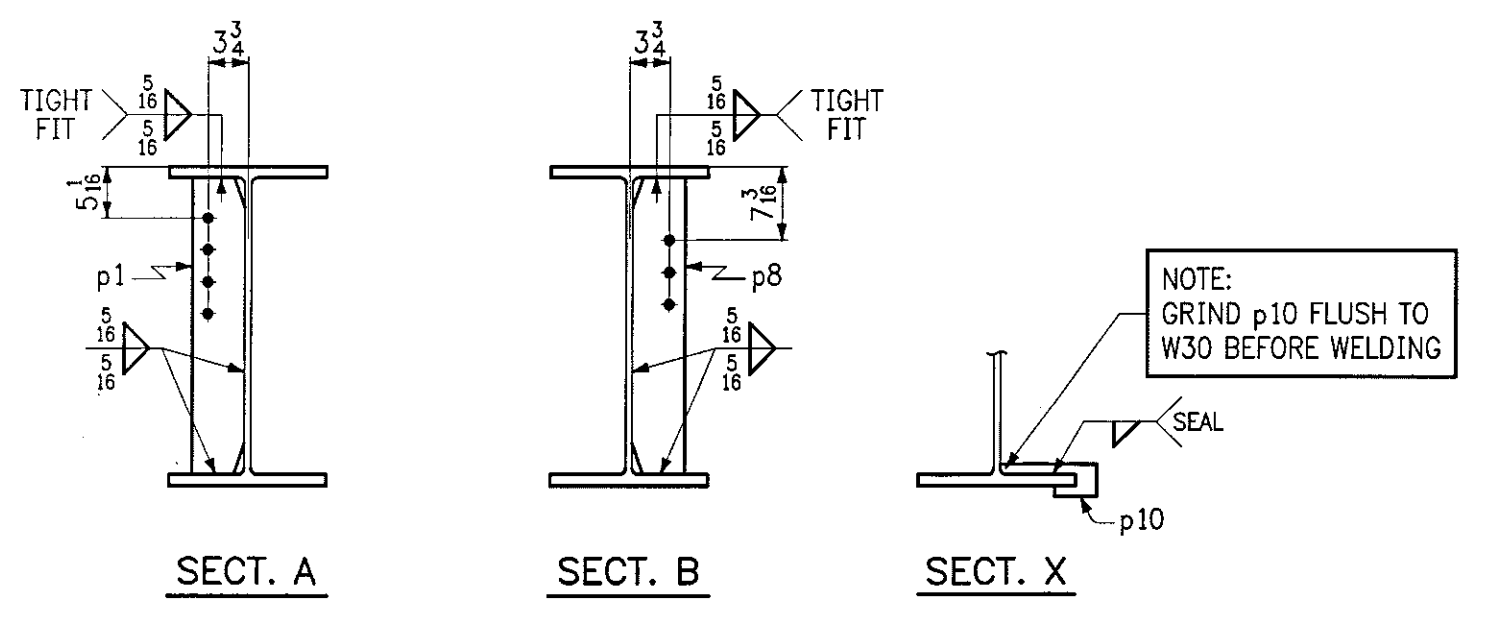


1 ~ STRINGER ~ 2S1

BILL OF MATERIAL						
SHIP MARK	QTY	PIECE MARK	DESCRIPTION	LENGTH FT IN	REMARKS	PAGE LINE
2S1	1		W30 x 173	63 4	(CWN)	1-10
	3	p1	PL 1/2 x 5	2 4 1/2		2-2
	1	p8	PL 1/2 x 5	2 4 1/2		2-2
	1	p10	PL 1/2 x 3 1/8	0 10 3/8		2-5



- NOTES:**
1. FOR STRINGER STANDARDS, SEE SHT. NO. 1.
 2. FOR CAMBER DIAGRAM, SEE SHT. NO. 1.
 3. FOR GENERAL NOTES, SEE SHT. NO. GN1.

REVISIONS		PRINT RECORD	
NO.	DATE	DESCRIPTION	DATE
			QTY.
			ISSUED
			9/7 1P APPR.
			5/28 1P APPR.
			8/5 7P APPR.

MEGQUIER & JONES INC.
 STRUCTURAL STEEL SINCE 1895
 1156 BROADWAY
 SOUTH PORTLAND, MAINE 04106

PAINT:	HOLES U.N. 1/8"	WELD U.N. 1/8"	C.C. REVIEW
PROJECT:	PROSPECT ST. OVER STEVENS BRANCH PROJECT NO. BHF 6000 (15) S BRIDGE NO. 7 BARRE CITY, VERMONT		DATE: 5-4-09 DRAWN BY: JF
DESCRIPTION:	STRINGER ~ 2S1		CHK'D BY: SOC
ARCH:	N/A	ENGR: VERMONT AGENCY OF TRANSPORTATION	JOB NO. J-80
CUSTOMER:	S.D. IRELAND CONCRETE CONSTRUCTION CORP.		SHT. NO. 2