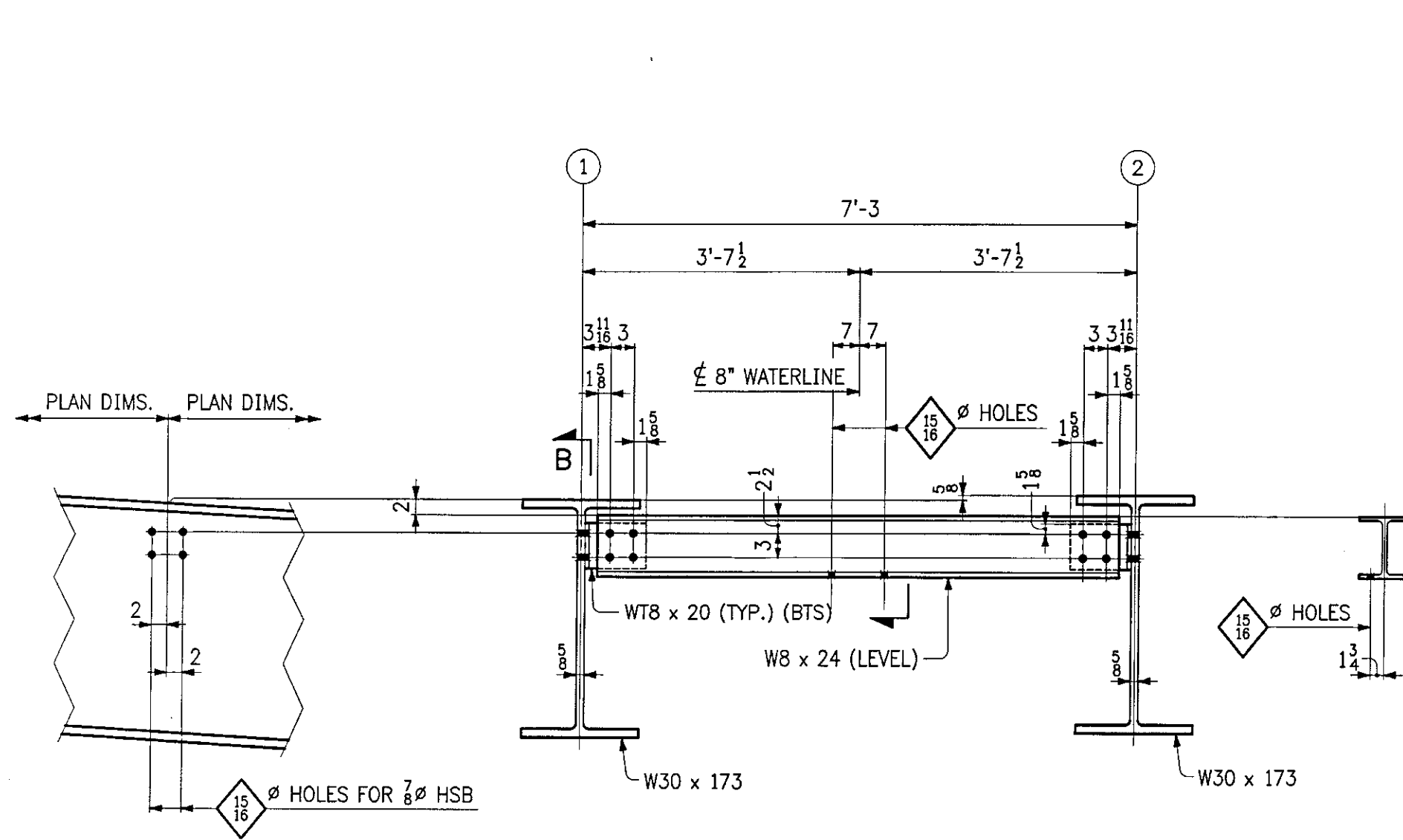
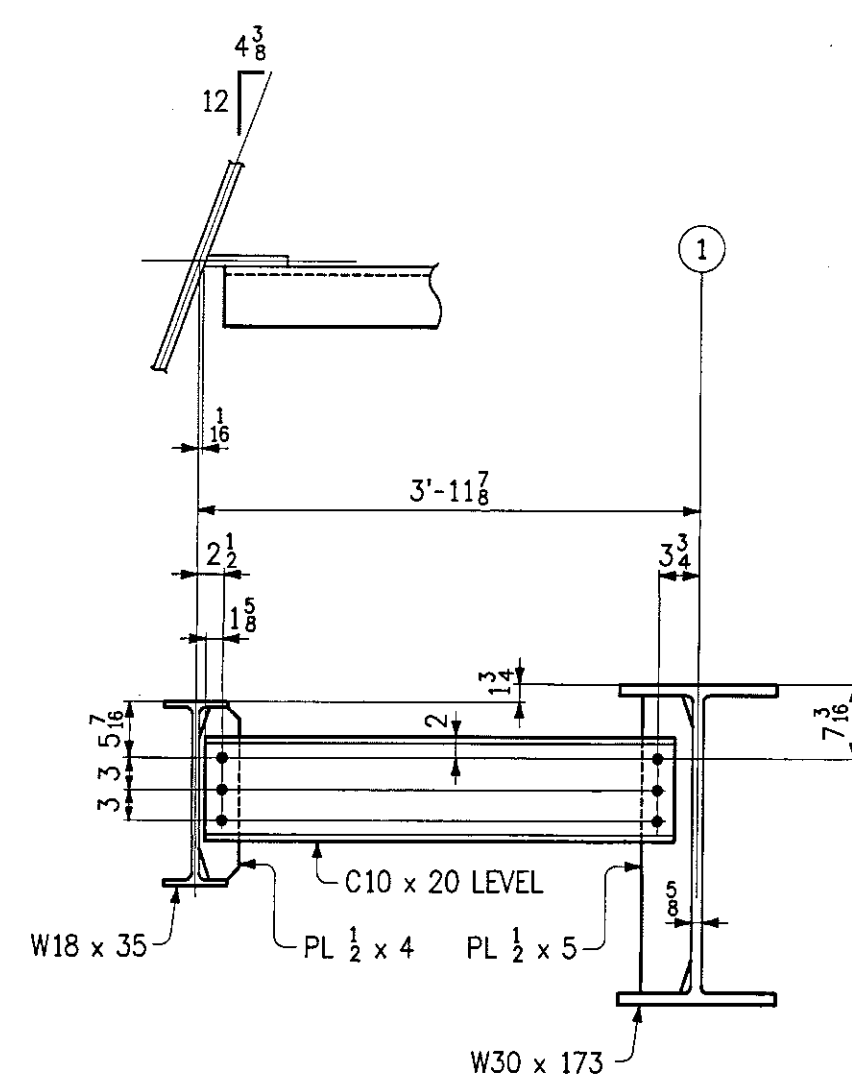


TYP. INTERMEDIATE SECTION
(LOOKING EAST)



SECT. B

TYP. 8" WATER LINE SUPPORT
(LOOKING EAST)



DIAPHRAGM (D2)
(LOOKING EAST)

THIS IS A WORK DRAWING. ITS FUNCTION IS TO PROVIDE BASIC DIMENSIONS AND CONCEPTS FOR USE IN THE PREPARATION OF THE SHOP DETAILS. IT IS NOT INTENDED TO BE USED FOR ERECTION OR FABRICATION.

| REVISIONS | | PRINT RECORD | | |
|-----------|------|--------------|------|----------|
| NO. | DATE | DESCRIPTION | DATE | ISSUED |
| | | | 5/7 | IP APPR. |
| | | | 5/29 | IP APPR. |
| | | | 6/5 | TR APPR. |

MEGQUIER & JONES INC.
STRUCTURAL STEEL SINCE 1895
1156 BROADWAY
SOUTH PORTLAND, MAINE 04106

| | | | |
|--------------|---|-----------|-------------------------------------|
| PAINT: | HOLES U.N. 1/8" | WELD U.N. | G.C. REVIEW |
| PROJECT: | PROSPECT ST. OVER STEVENS BRANCH PROJECT NO. BHF 6000 (15) S BRIDGE NO. 7 BARRE CITY, VERMONT | DATE: | 5-5-09 |
| DESCRIPTION: | LAYOUTS | DRAWN BY: | WCC |
| ARCH: | N/A | ENGR: | VERMONT AGENCY OF TRANSPORTATION |
| CUSTOMER: | S.D. IRELAND CONCRETE CONSTRUCTION CORP. | CHK'D BY: | CK |
| | | JOB NO.: | J-80 |
| | | SHT. NO.: | TD1 |