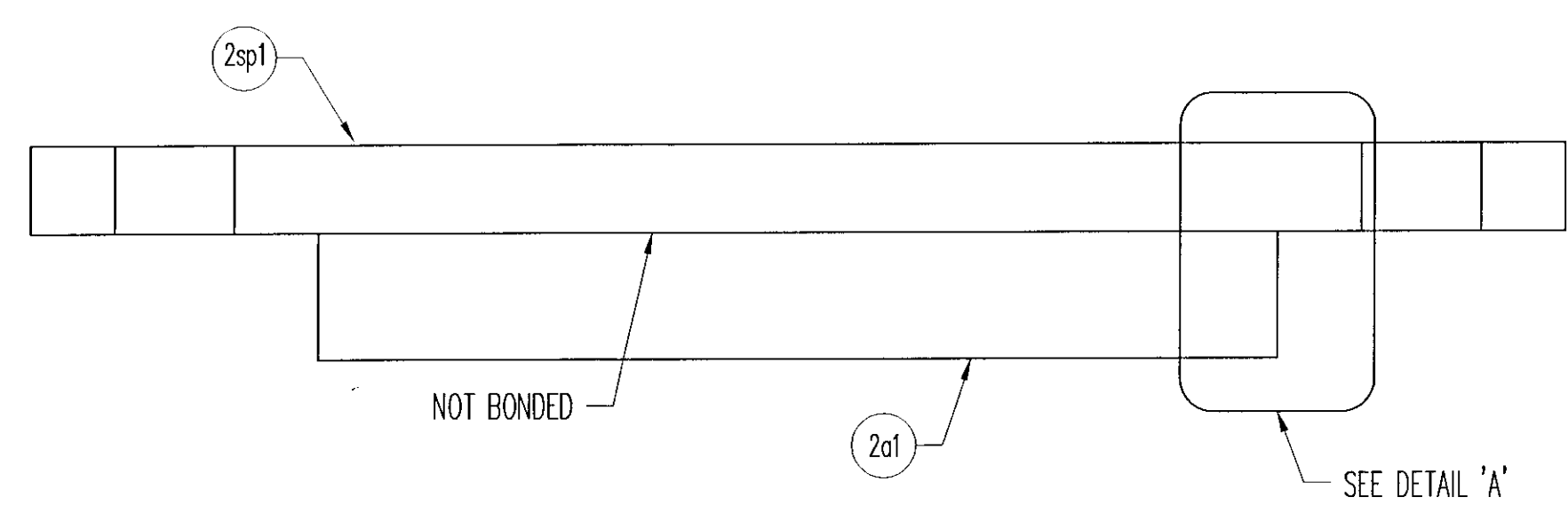
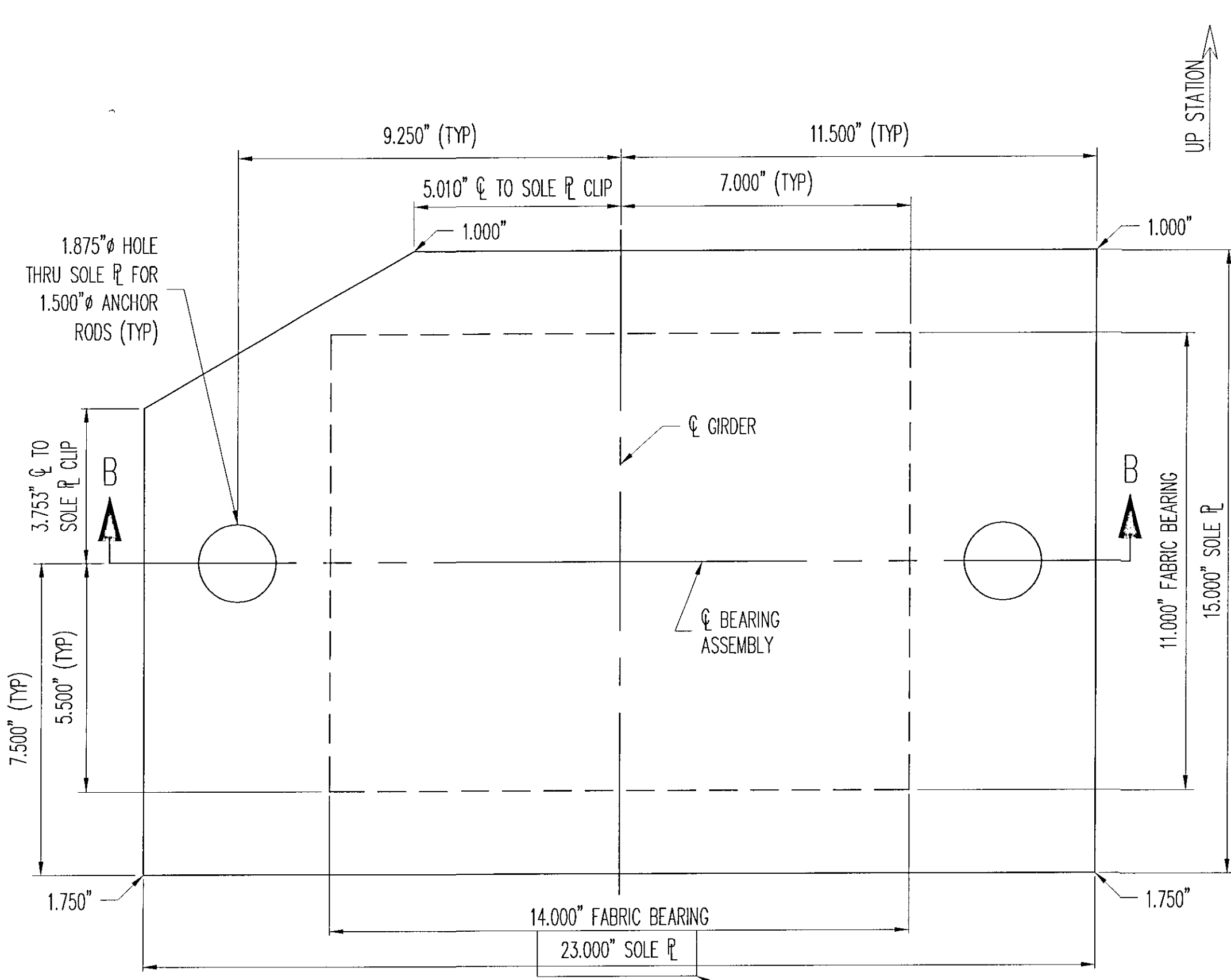


PLAN VIEW
FABRIC BEARING ASSEMBLY
(5) REQ'D @ ABUTMENT 2, BEAMS 1-5

PLEASE VERIFY. DS BROWN THIS DIMENSION IS CORRECT AS SHOWN UNLESS MARKED OTHERWISE.

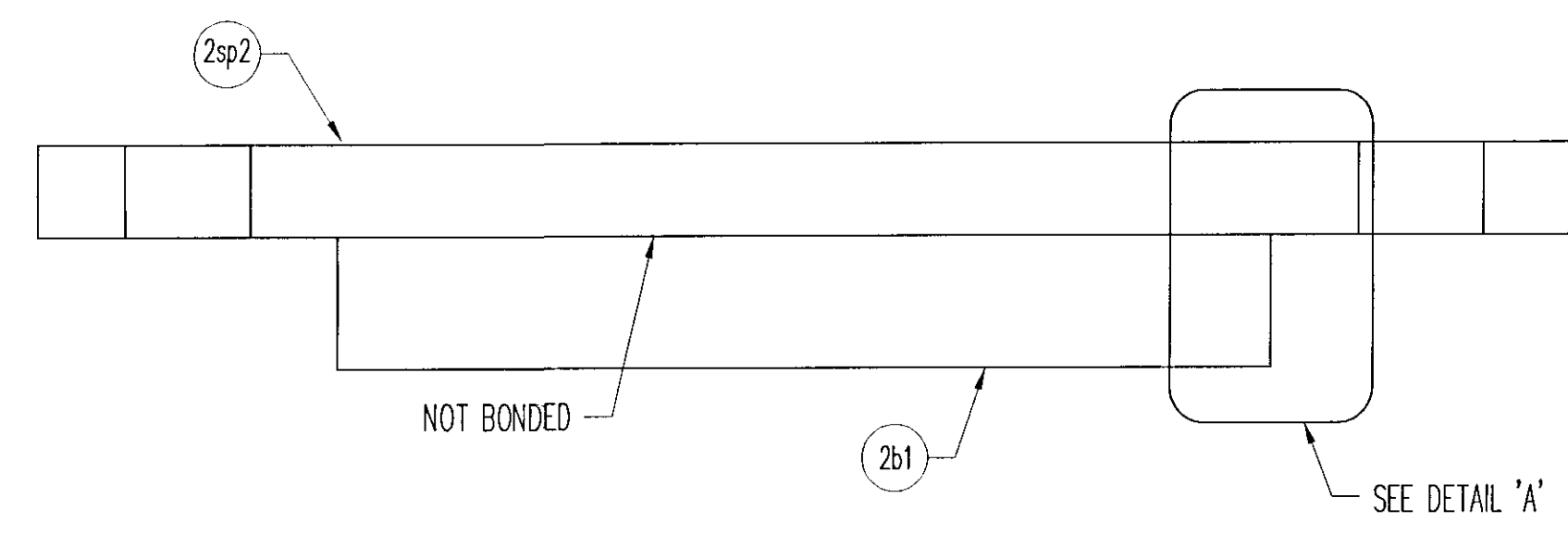


SECTION 'A-A'

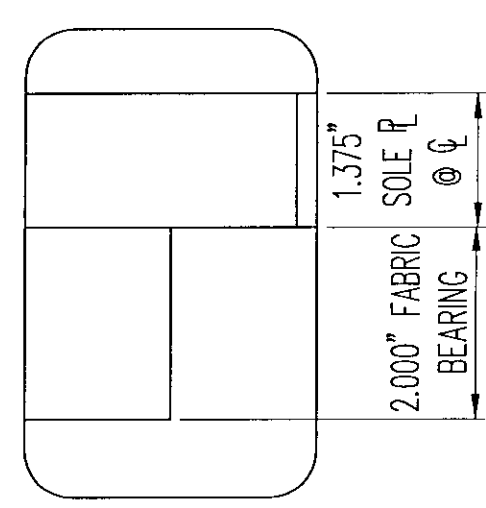


PLAN VIEW
FABRIC BEARING ASSEMBLY
(2) REQ'D @ ABUTMENT 2, BEAMS 6 & 7

PLEASE VERIFY. DS BROWN THIS DIMENSION IS CORRECT AS SHOWN UNLESS MARKED OTHERWISE.



SECTION 'B-B'

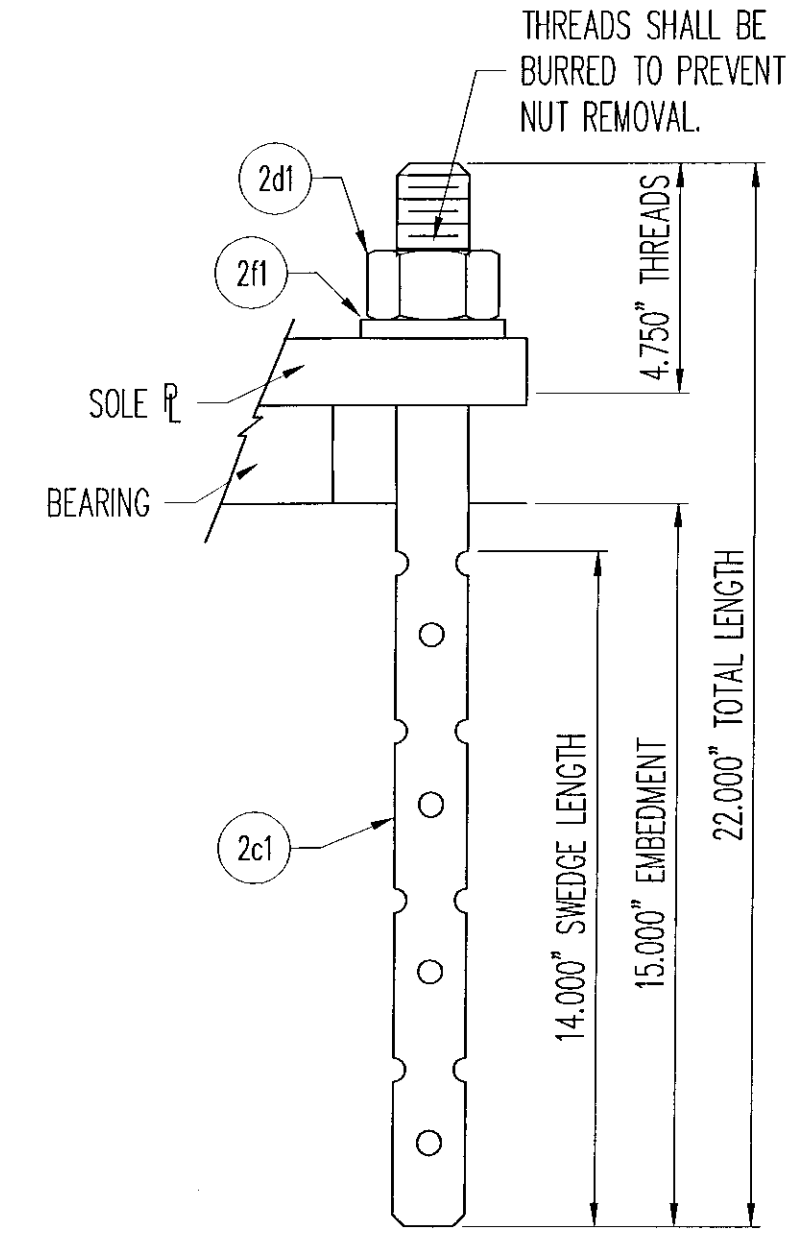


DETAIL 'A'

MK	QTY	DESCRIPTION	MATERIAL	LENGTH	REMARKS	REV
2A	5	FABRIC BEARING				
2a1	5	2.000" X 15.000"	VT 731.01	11.000"		
2sp1	5	1.750" X 24.000"	A709 GR 36	15.000"	CLIPPED; A123-HDG	
2B	2	FABRIC BEARING				
2b1	2	2.000" X 14.000"	VT 731.01	11.000"		
2sp2	2	1.750" X 23.000"	A709 GR 36	15.000"	CLIPPED; A123-HDG	
2C	14	SWEDGED ANCHOR ROD				
2c1	14	Ø1.500" X 22.000" SWEDGED ROD	A307 GR A		4.75" THREADS, 14" SWEDGE; A153-HDG	
2D	14	HEAVY HEX NUT				
2d1	14	Ø1.500" HEX NUT	A563-DH OR A194-2H		A153-HDG	
2F	14	PLATE WASHER				
2f1	14	0.375" X 3.000"	A-36	3.000"	1.875" DIA HOLE CENTERED; A123-HDG	

PLEASE VERIFY. DS BROWN WILL FABRICATE AS SHOWN UNLESS MARKED OTHERWISE. THIS IS CORRECT AS SHOWN

LOAD DATA	
DESIGN LOAD (BEAMS 1-5) DL + LL (KIPS)	125.0
DESIGN LOAD (BEAMS 6 & 7) DL + LL (KIPS)	120.0



ANCHOR ROD DETAIL

SEE SHEET GN1 FOR GENERAL NOTES.

REV.	DESCRIPTION	DATE	DET.	CKD.

D.S. BROWN
THE D.S. BROWN COMPANY
300 E. CHERRY STREET
NORTH BALTIMORE, OHIO 45872
419.257.3561
FAX: 419.257.0332
WWW.DSBROWN.COM

LOCATION	PROJECT	P.O. NO.	DESIGNER	CUSTOMER
PROSPECT ST. OVER STEVENS BRANCH	BRIDGE - 7	6040	DUBOIS & KING INC	SD IRELAND INDUSTRIES

DESCRIPTION	SCALE	DRAWN BY	CHECKED BY	DATE
FABRIC BEARING DETAILS WASHINGTON CO., VT	N.T.S.	NRA	EK	5/4/09

