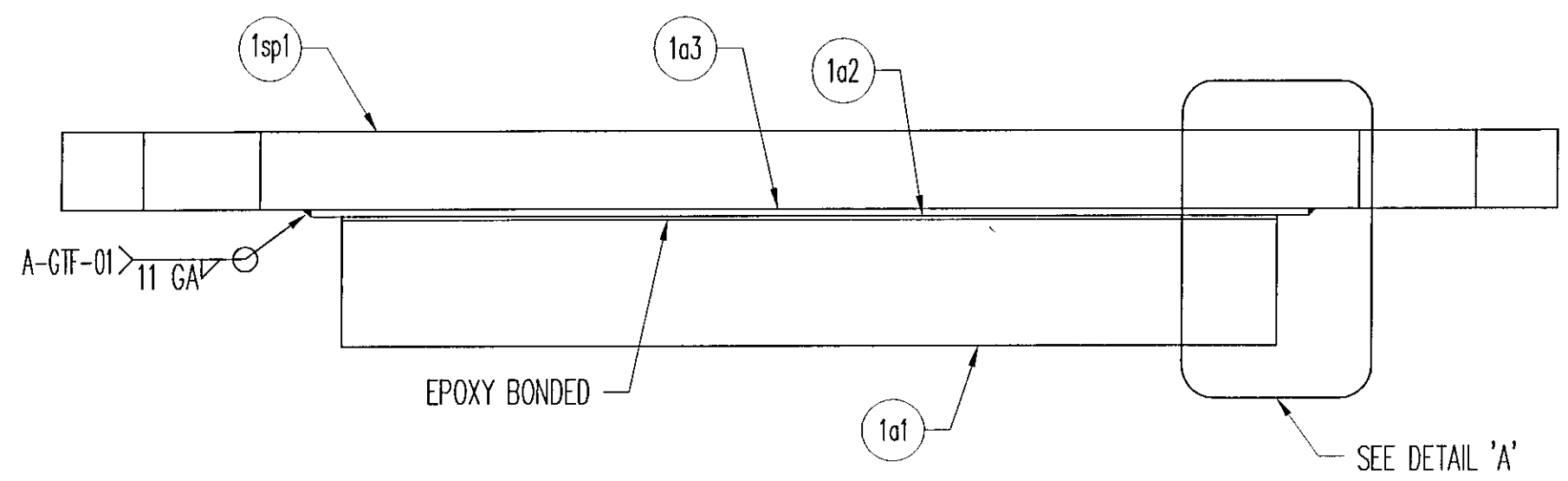
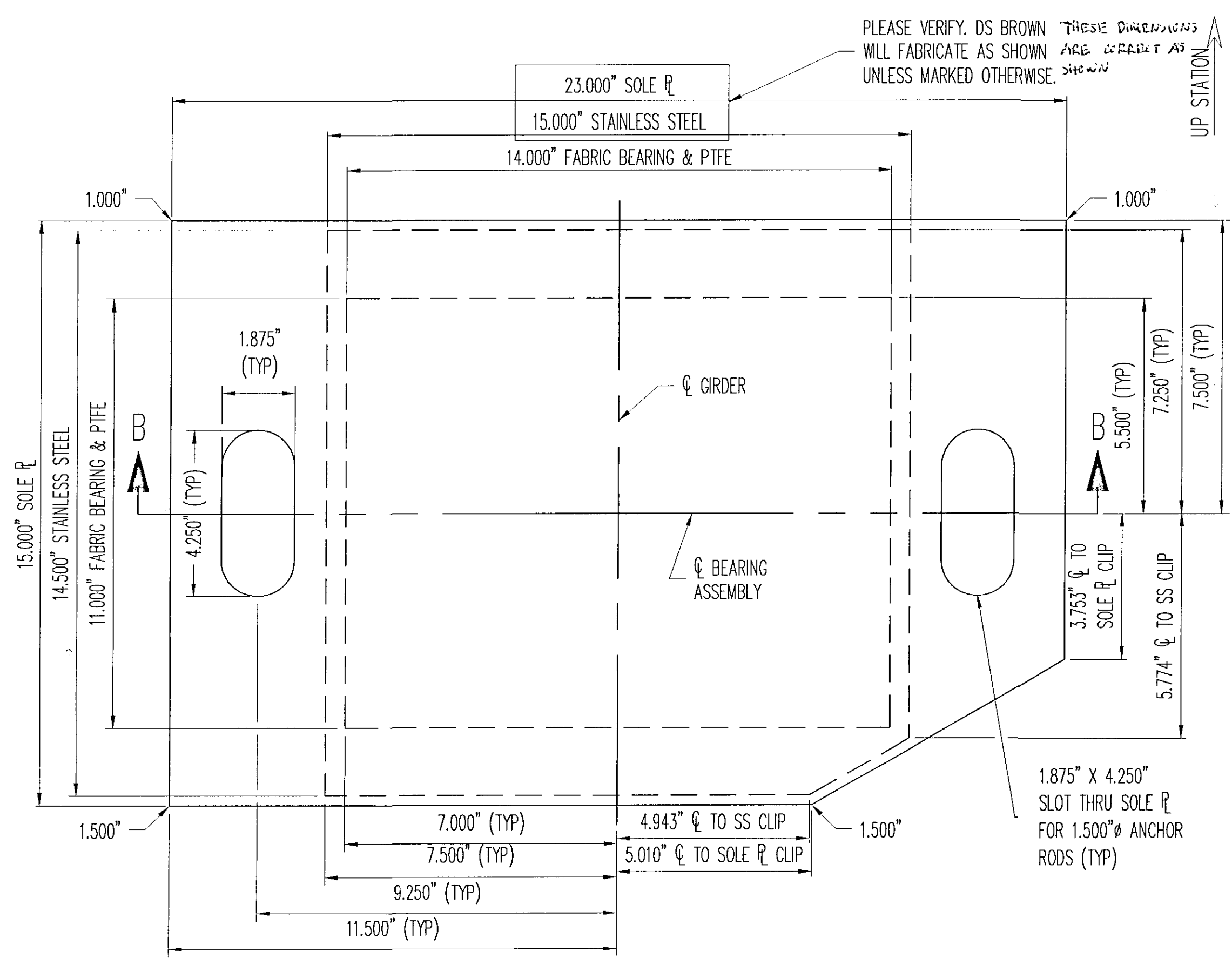


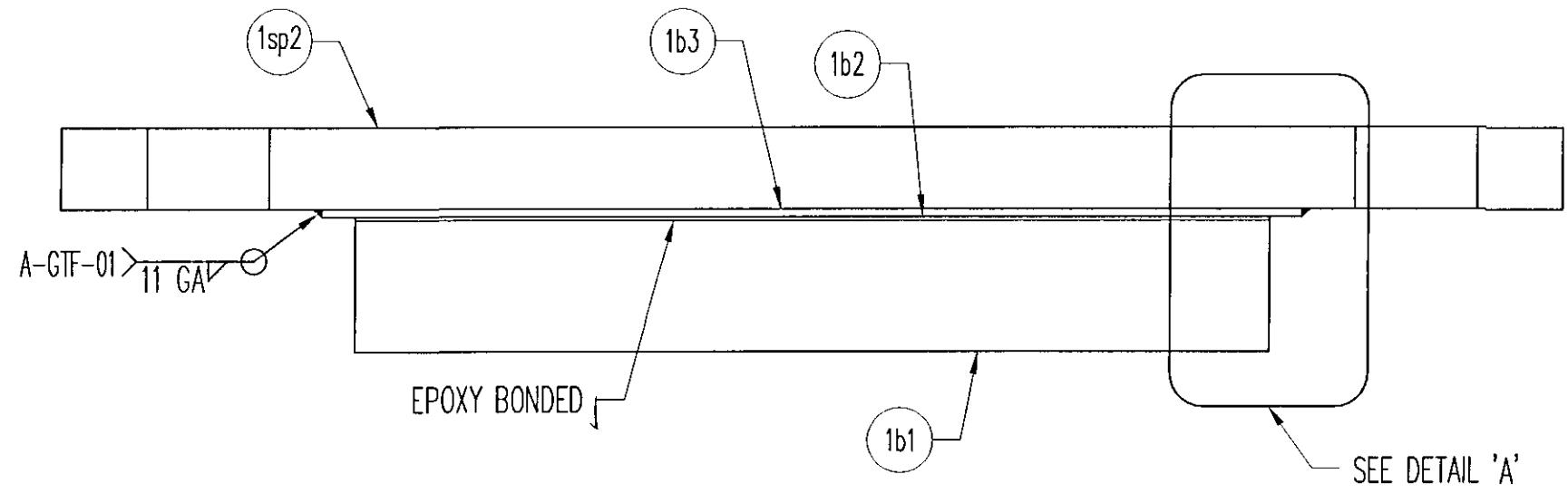
PLAN VIEW
FABRIC BEARING ASSEMBLY
(5) REQ'D @ ABUTMENT 1, BEAMS 1-5



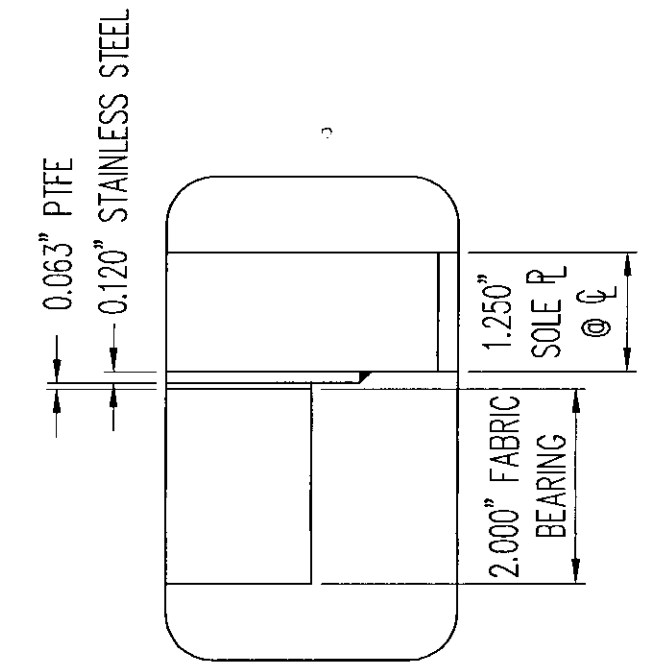
SECTION 'A-A'



PLAN VIEW
FABRIC BEARING ASSEMBLY
(2) REQ'D @ ABUTMENT 1, BEAMS 6 & 7



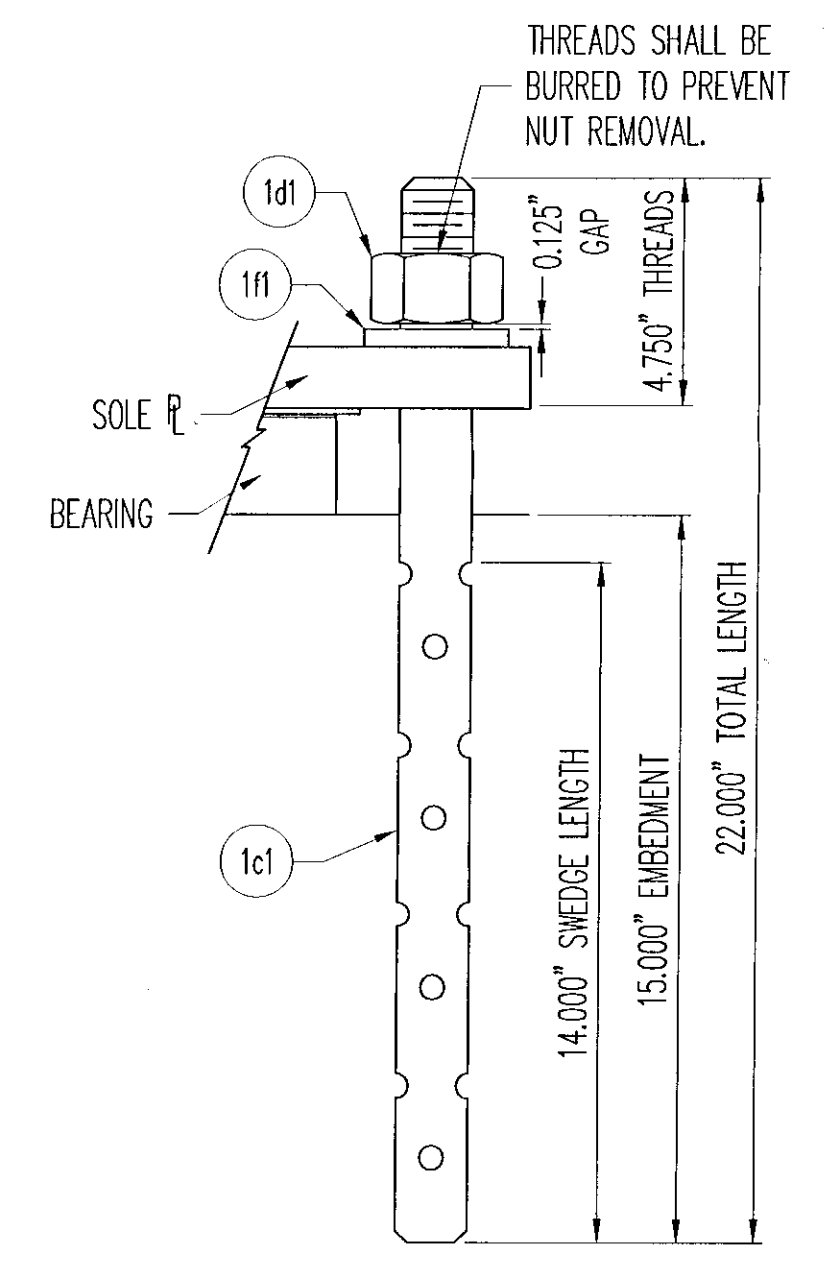
SECTION 'B-B'



DETAIL 'A'

MK	QTY	DESCRIPTION	MATERIAL	LENGTH	REMARKS	REV
1A	5	FABRIC BEARING				
1a1	5	2.000" X 15.000"	VT 731.01	11.000"		
1a2	5	0.063" X 15.000"	P1FE	11.000"	PURE VIRGIN UNFILLED	
1a3	5	11 GA. X 16.000"	A240 T304, #8 & 2B	14.500"	CLIPPED; PLAIN	
1sp1	5	1.500" X 24.000"	A709 GR 36	15.000"	CLIPPED; A123-HDG	
1B	2	FABRIC BEARING				
1b1	2	2.000" X 14.000"	VT 731.01	11.000"		
1b2	2	0.063" X 14.000"	P1FE	11.000"	PURE VIRGIN UNFILLED	
1b3	2	11 GA. X 15.000"	A240 T304, #8 & 2B	14.500"	CLIPPED; PLAIN	
1sp2	2	1.500" X 23.000"	A709 GR 36	15.000"	CLIPPED; A123-HDG	
1C	14	SWEGED ANCHOR ROD				
1c1	14	Ø1.500" X 22.000" SWEGED ROD	A307 GR A		4.75" THREADS, 14" SWEGED; A153-HDG	
1D	14	HEAVY HEX NUT				
1d1	14	Ø1.500" HEX NUT	A563-DH OR A194-2H		A153-HDG	
1F	14	WASHER PLATE				
1f1	14	0.375" X 3.000"	A-36	7.500"	1.875" DIA HOLE CENTERED; A123-HDG	
					5/4/2009 1:19:56 PM	

LOAD DATA	
DESIGN LOAD (BEAMS 1-5) DL + LL (KIPS)	125.0
DESIGN LOAD (BEAMS 6 & 7) DL + LL (KIPS)	120.0



ANCHOR ROD DETAIL

SEE SHEET GN1 FOR GENERAL NOTES.

REV.	DESCRIPTION	DATE	DET.	CKD.
	LOCATION — PROSPECT ST. OVER STEVENS BRANCH			
	BRIDGE — 7			
	PROJECT — BHF 6000 (15S)			
	P.O. NO. — 6040			
	DESIGNER — DUBOIS & KING INC			
	CUSTOMER — SD IRELAND INDUSTRIES			
	ITEM	QUANTITY		
	26271-1106-1	5 OF 5		
	26271-1106-2	2 OF 2		

D.S. BROWN
THE D.S. BROWN COMPANY
300 E. CHERRY STREET
NORTH BALTIMORE, OHIO 45872
419.257.3561
FAX: 419.257.0332
WWW.DSBROWN.COM



DESCRIPTION	SCALE	DATE	BY	DATE	BY
FABRIC BEARING DETAILS WASHINGTON CO., VT	N.T.S.	5/4/09	NRA	5/4/09	EK
PROJECT NUMBER	26271	PRODUCT CODE	1106	RELEASE	1
					SHEET 1