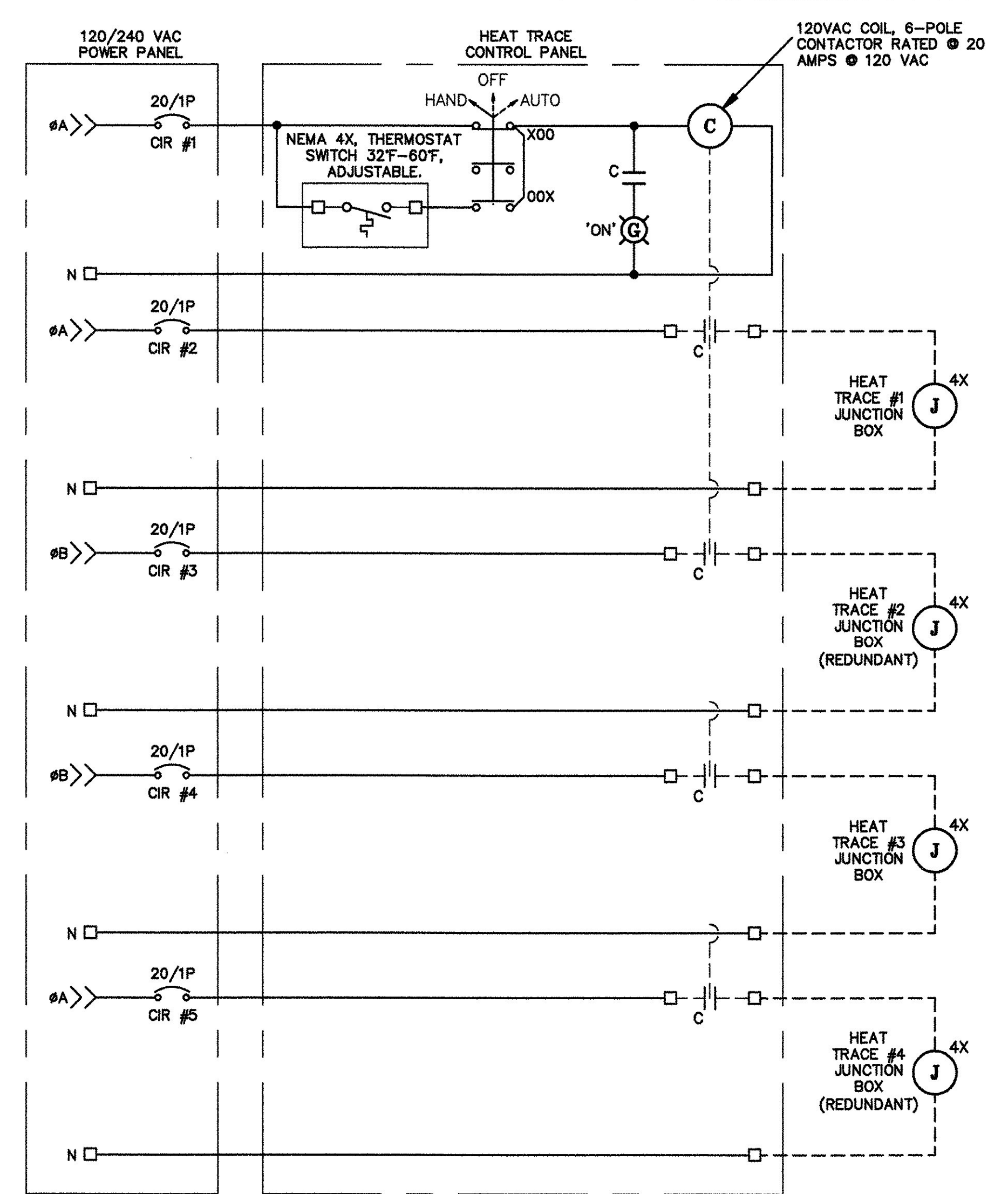
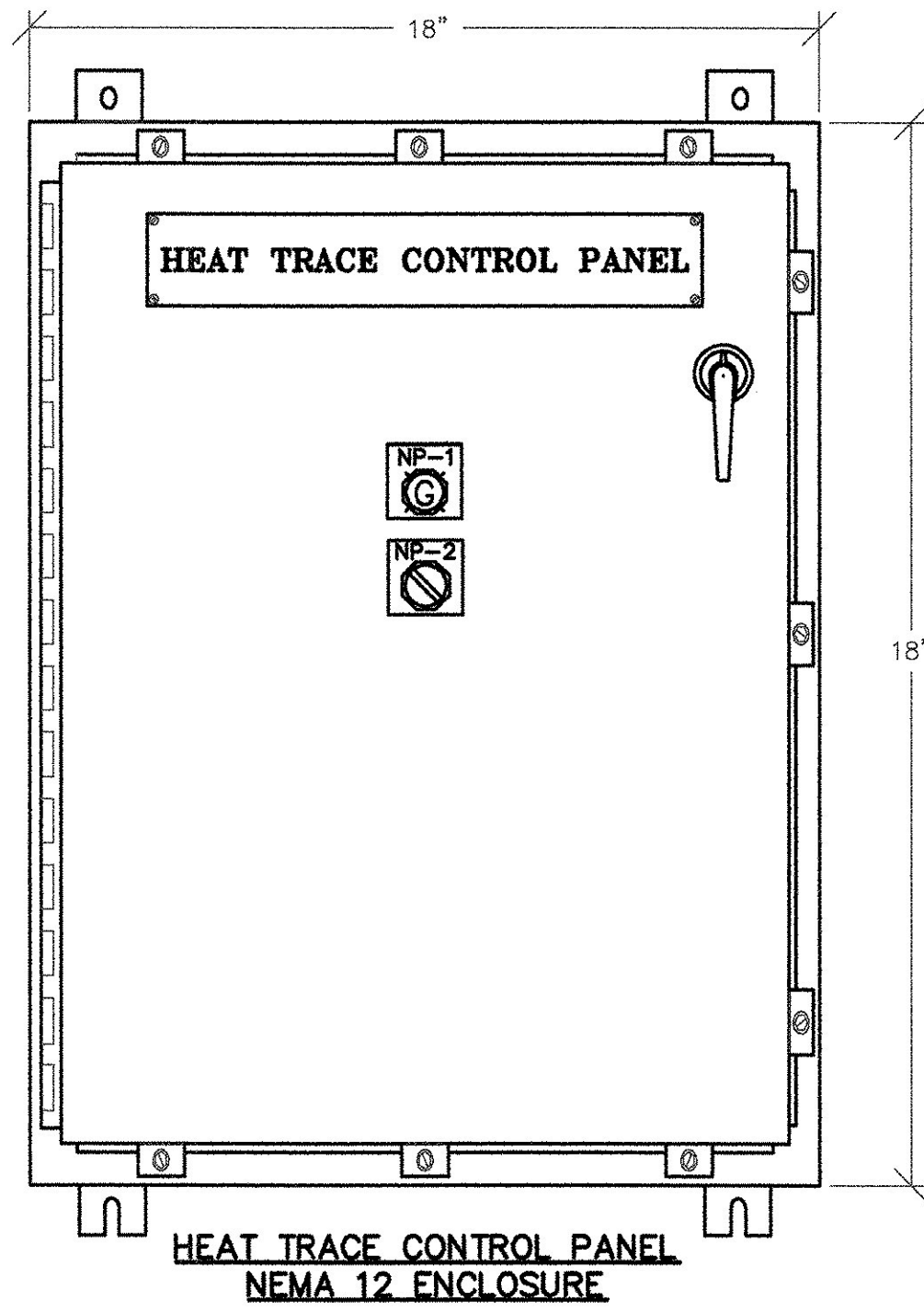


FILE: P:\11000-PROSPECT STREET BRIDGE - LINDSAY\11000-11-27-09\11-27-09 - 2009R1.rvt



HEAT TRACE CONTROL PANEL WIRING DIAGRAM 1
SCALE: NONE E2

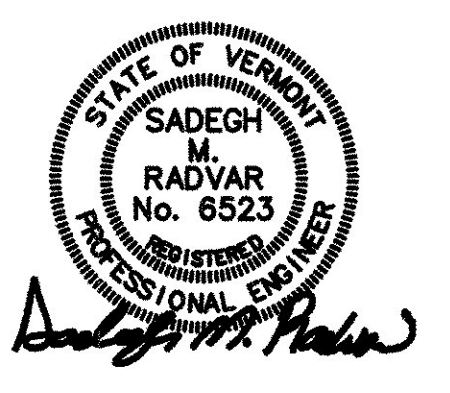


HEAT TRACE CONTROL PANEL ELEVATION 2
SCALE: NONE E2

- PLC PANEL NAMEPLATE SCHEDULE:**
 NP-1 HEAT TRACE 'ON'
 NP-2 HEAT TRACE 'H-O-A' SWITCH (PUSH TO TEST TYPE)
- TYPICAL CONTROL PANEL SYMBOLS:**
 (R) INDICATING LIGHTS PUSH TO TEST TYPE
 A: AMBER
 B: BLUE
 G: GREEN
 R: RED
 W: WHITE
 Y: YELLOW

SMR Engineering, PC
 Electrical, Instrumentation & Control Systems Design
 100 Main Street, Barre, Vermont 05646
 Tel: (802) 748-8005 Fax: (802) 748-8005
 E-mail: smr@smr-engineering.com
 Web: www.smr-engineering.com

DUFRESNE & ASSOCIATES, PC
 54 Main Street, P.O. Box B
 Windsor, Vermont 05089
 E-mail: dufresne@vermontel.net
 Web: www.dufresneassociates.com
 Windsor, VT • Tel: (802) 674-2804 Fax: (802) 674-2913
 Barre, VT • Tel: (802) 479-3698 Fax: (802) 479-2281
 St. Johnsbury, VT • Tel: (802) 748-8005 Fax: (802) 748-4812



REVISIONS	
DATE	COMMENTS

PROSPECT STREET OVER STEVENS BRANCH
ELECTRICAL WIRING DIAGRAMS AND DETAILS
 BARRE, VERMONT

Project #	418008
Project Mgr.	R.N. GOODWIN
Design by	JWC
Drawn by	JWC
Reviewed by	R.E. DUFRESNE
Approved by	R.E. DUFRESNE
Date	JANUARY 29, 2009
Scale	AS SHOWN

E2