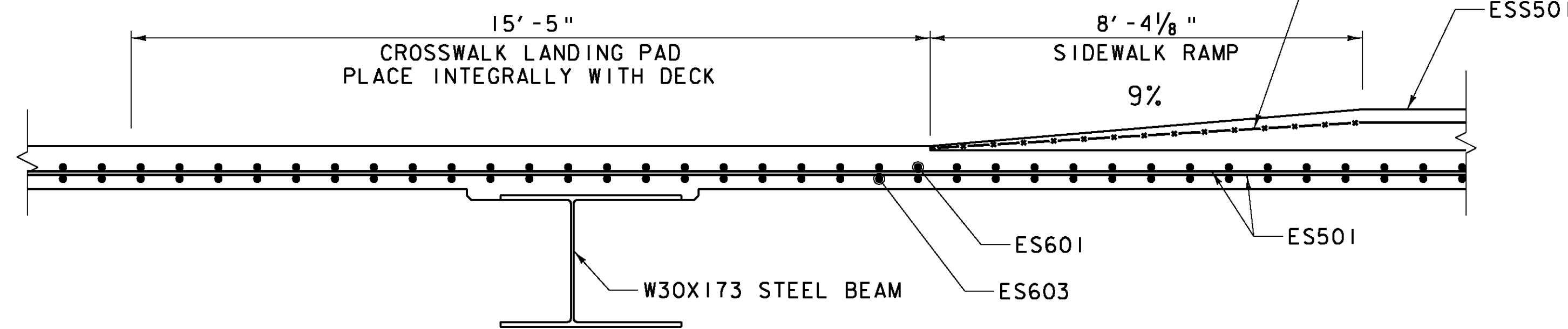


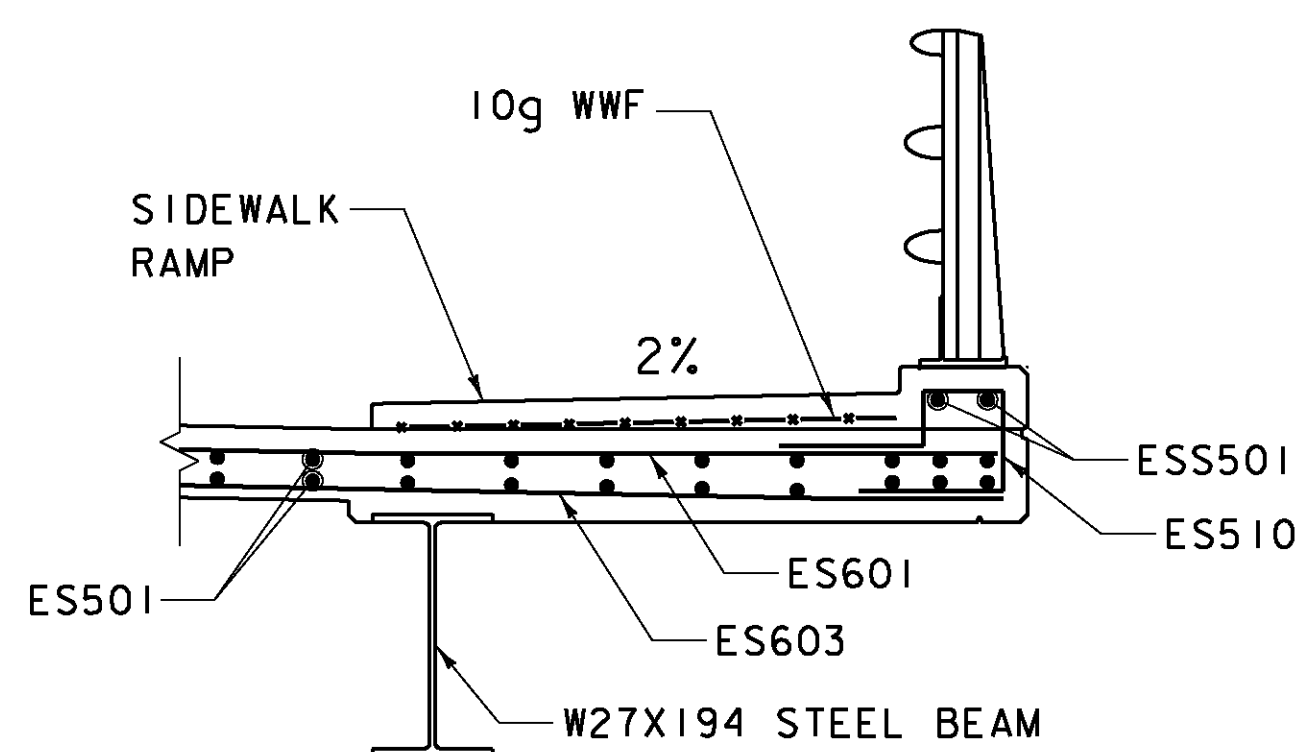
SECTION A-A

SCALE 1/2" = 1'-0"
1 0 1 2



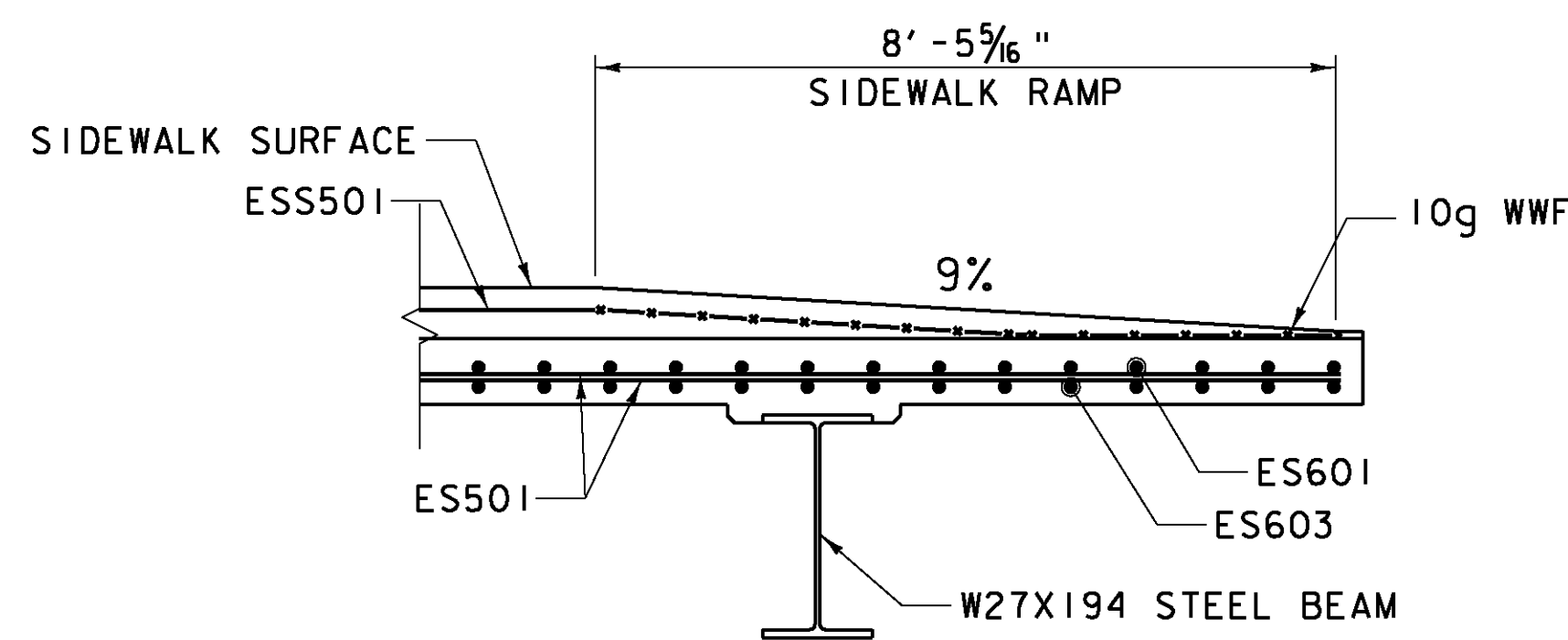
SECTION B-B

SCALE 1/2" = 1'-0"
1 0 1 2



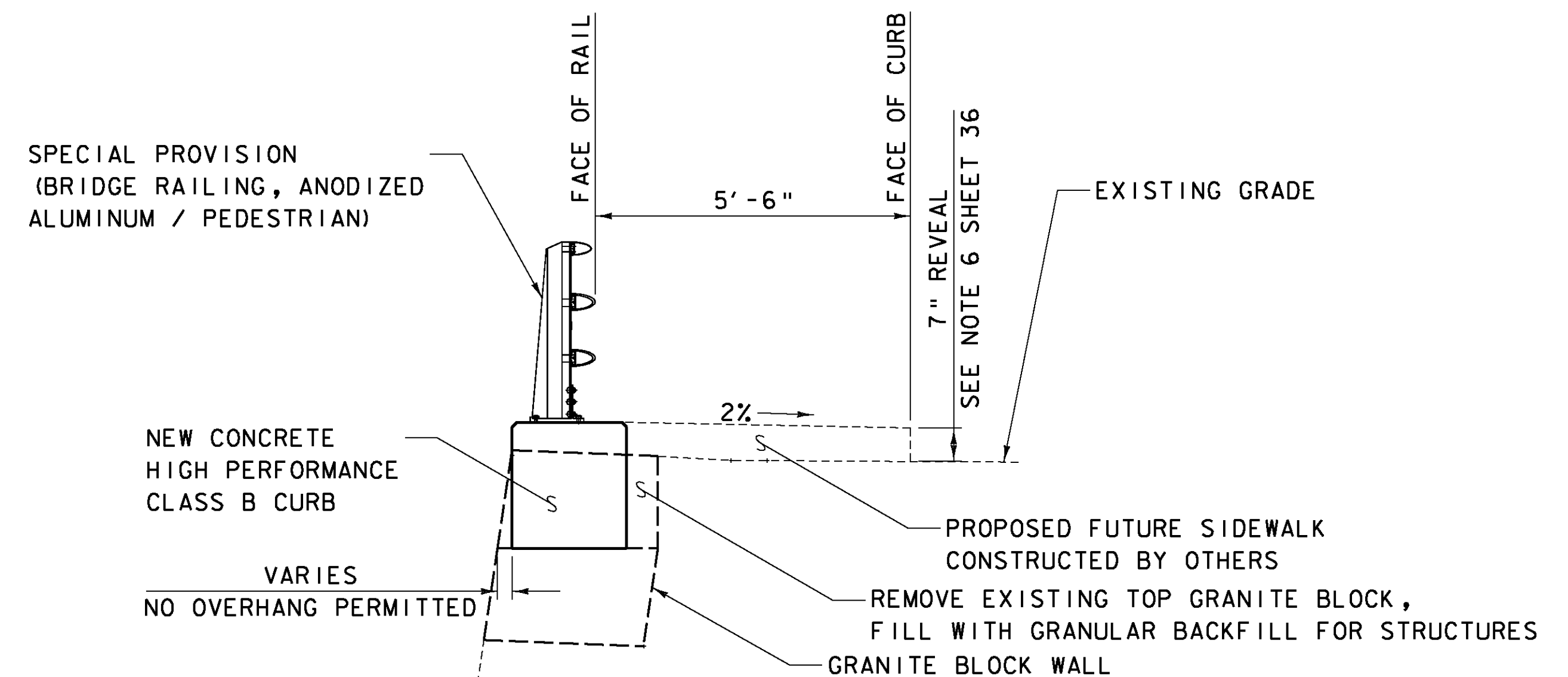
SECTION C-C

SCALE 1/2" = 1'-0"
1 0 1 2



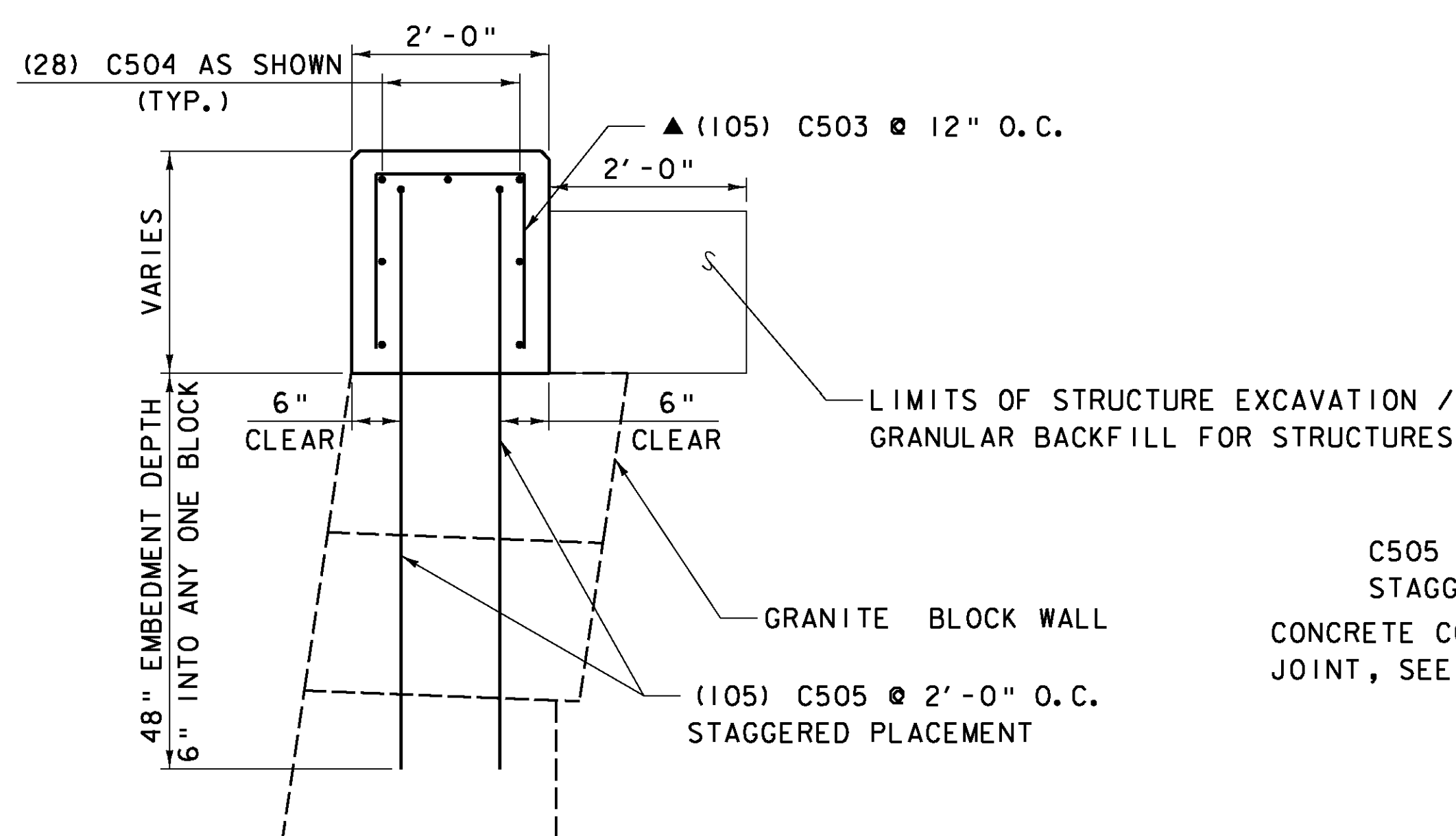
SECTION D-D

SCALE 1/2" = 1'-0"
1 0 1 2



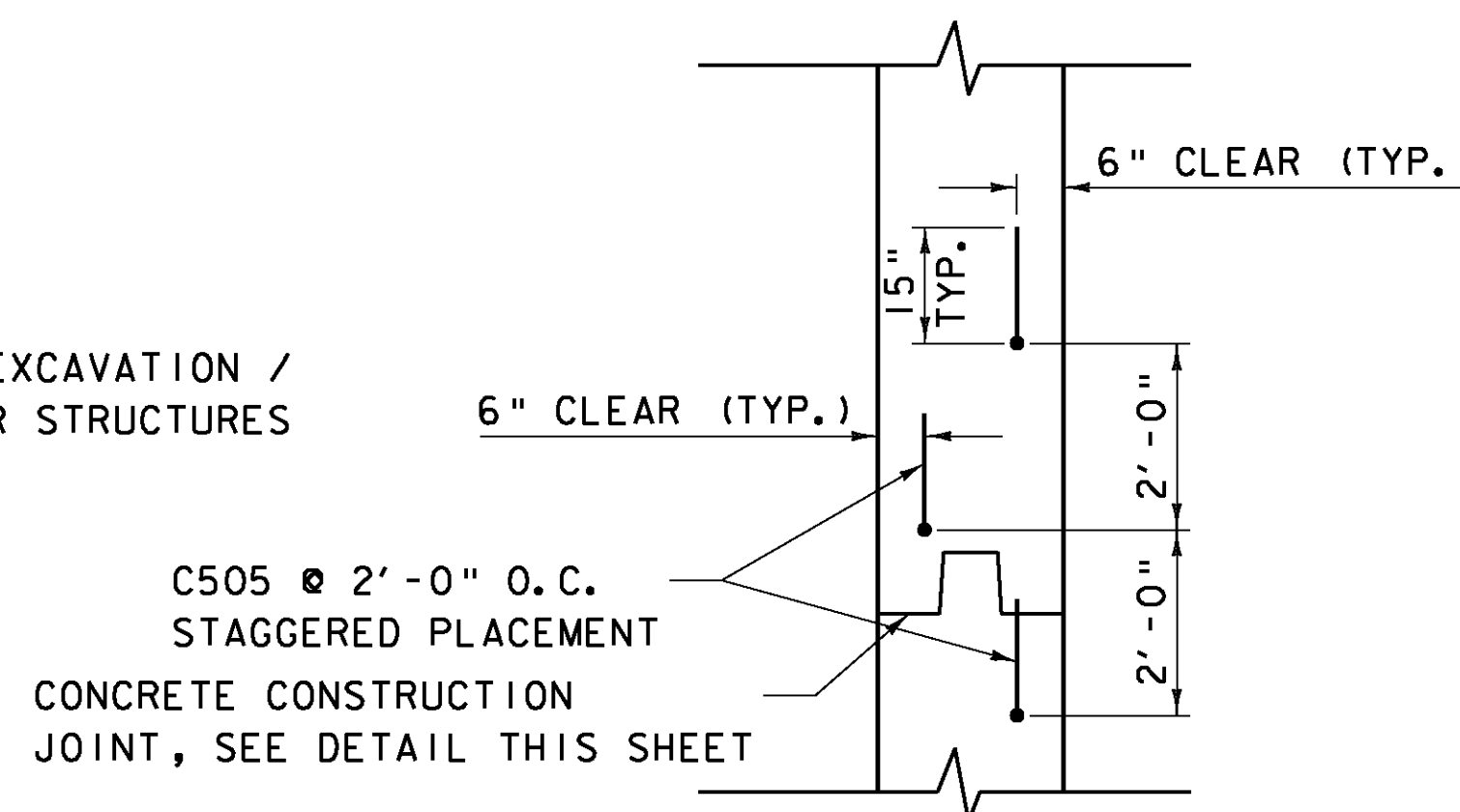
SECTION E-E

SCALE 1/2" = 1'-0"
1 0 1 2



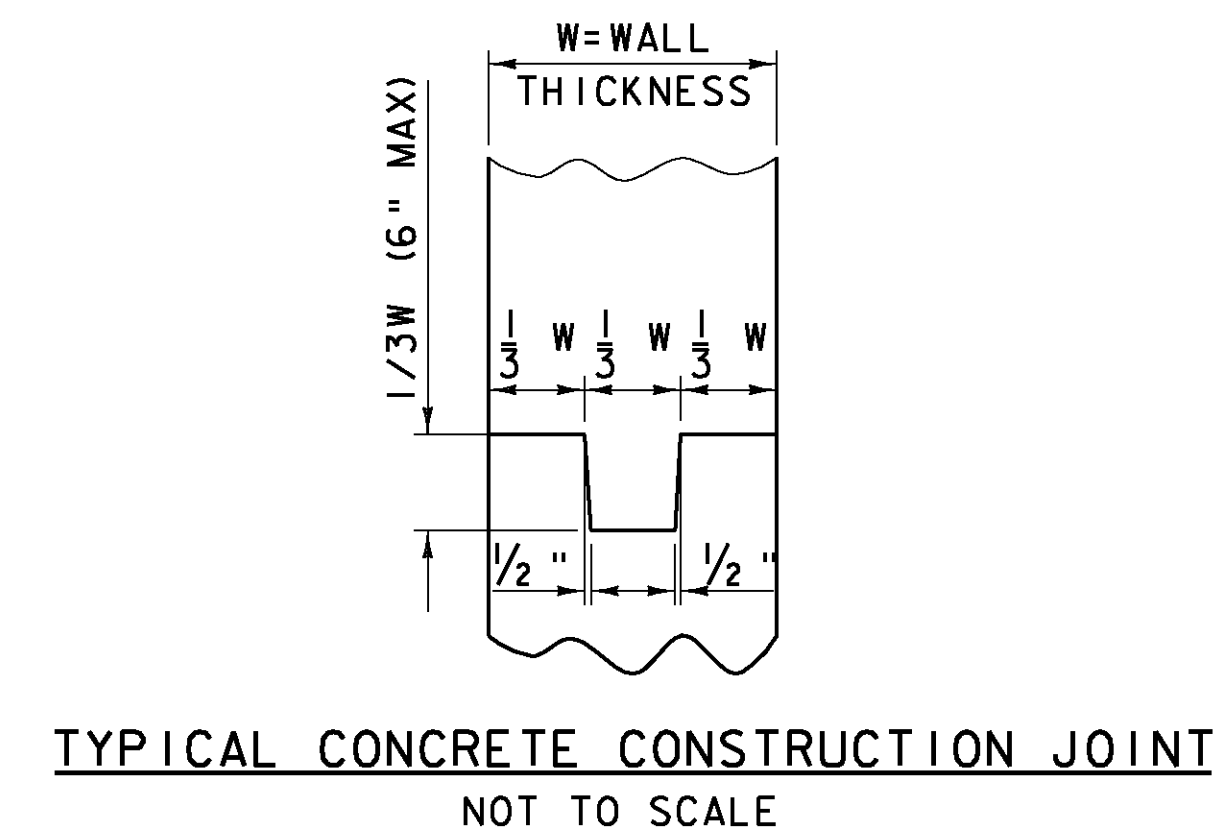
CONCRETE CURB REINFORCING DETAIL

SCALE 3/4" = 1'-0"
1 0 1 2



CONCRETE CURB DOWEL REINFORCING PLAN

SCALE 1/2" = 1'-0"
1 0 1 2



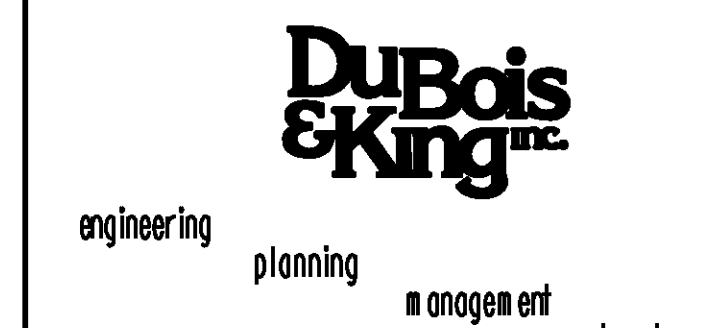
TYPICAL CONCRETE CONSTRUCTION JOINT
NOT TO SCALE

NOTES

1. CONCRETE SIDEWALK LANDING AREAS SHALL BE PLACED INTEGRALLY WITH THE CONCRETE BRIDGE DECK.
2. PORTIONS OF THE CONCRETE SIDEWALK RAMPS SHALL BE PLACED INTEGRALLY WITH THE CONCRETE BRIDGE DECK. THE CONTRACTOR SHALL DETERMINE IN THE FIELD THE EXTENT OF THE RAMPS TO BE PLACED INTEGRALLY WITH THE DECK SO THAT REINFORCEMENT CAN BE PROPERLY PLACED AND CLEARANCES MAINTAINED.

**STATE OF VERMONT
AGENCY OF TRANSPORTATION**

Town Of	BARRE CITY	Bridge No.	7
Highway No.	PROSPECT ST.	Log Sta.	
		Surv. Sta.	
PROSPECT ST. OVER STEVENS BRANCH BRIDGE AND GRANITE BLOCK DETAILS			
Designed By	A.P. GUYETTE	Drawn By	A.P. GUYETTE
Checked By	Date	Bridge Design Supervisor	Date
E. P. DETRICK	1/09	J. W. TUCKER	1/09
PROJECT	BARRE CITY	PROJECT NO.	BHF 6000 (15) S
I.G.C. info.			
Bridge Sheet No.		Sheet	37 of 56



PLOTTED 2/2/2009