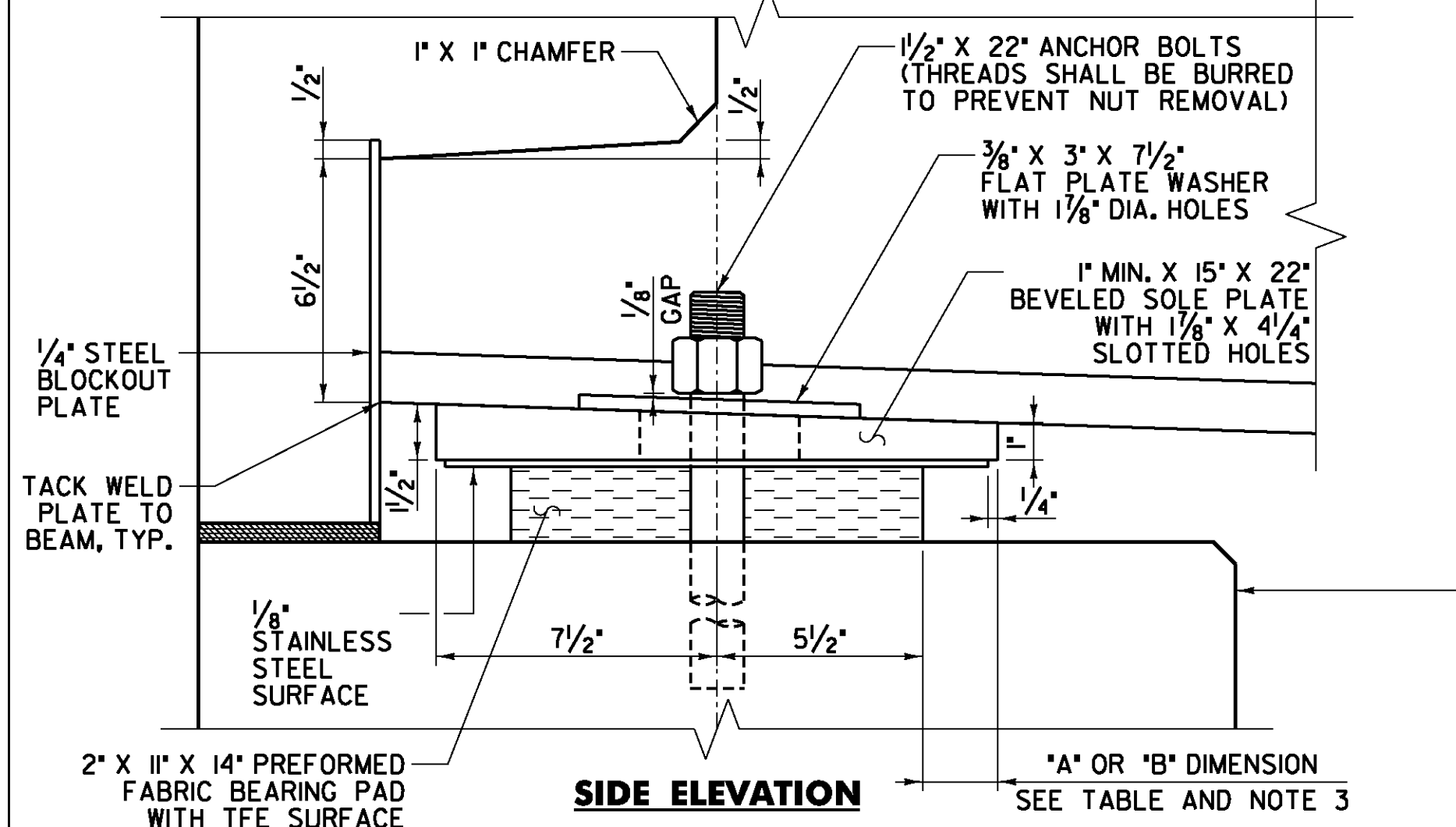


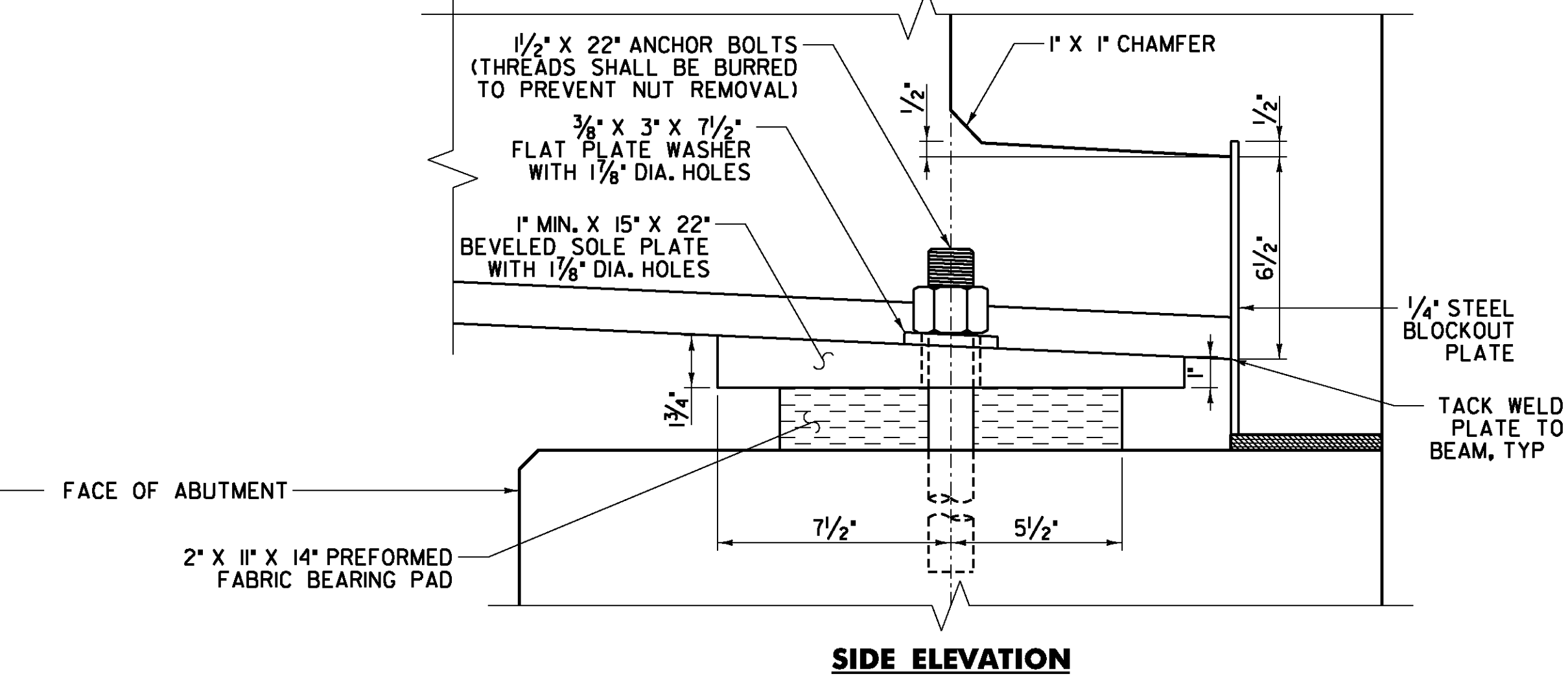
SEE SHEET 28 FOR W27 x 194 FLANGE CLIP DETAIL (TYP.)

PLAN

PLAN



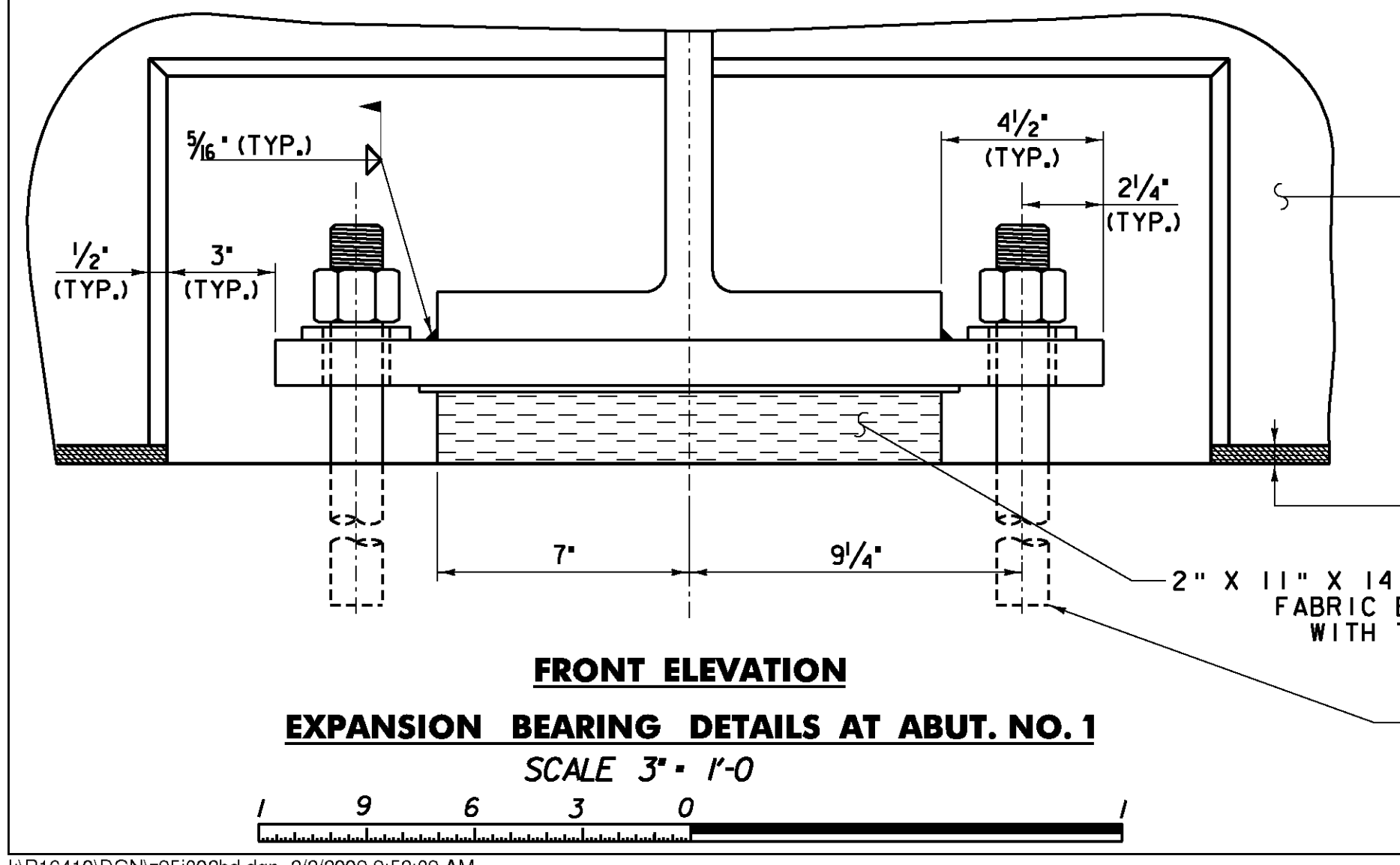
SIDE ELEVATION



SIDE ELEVATION

BEARING NOTES

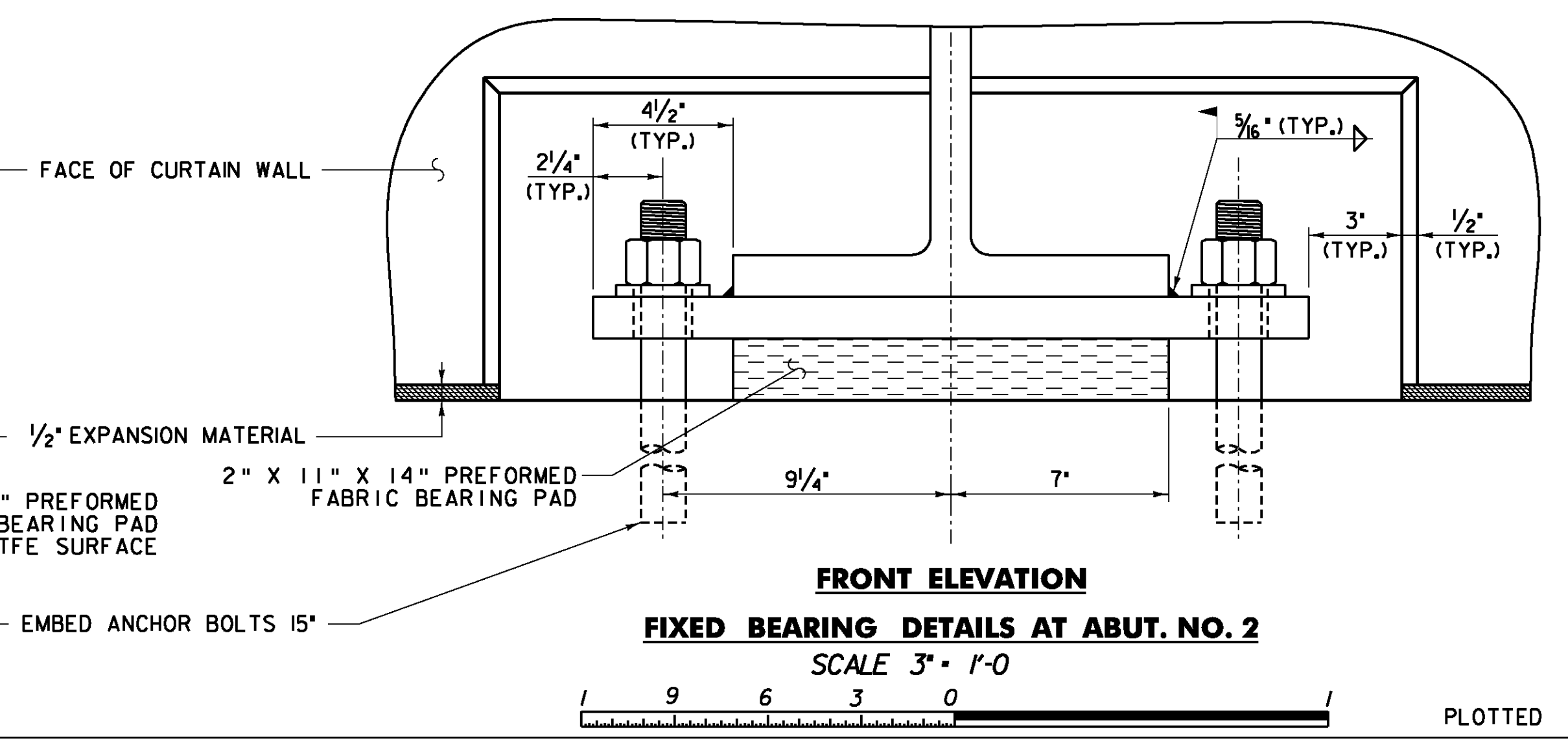
1. REFER TO SHEET 31 FOR BEARING NOTES.
2. FOR NOTE 4D, DESIGN LOAD FOR W27 X 194 BEARING IS 120 KIPS (DEAD LOAD + LIVE LOAD).
3. *A* AND *B* DIMENSIONS FROM SHEET 31 SHALL BE APPLICABLE FOR FLARE BEARING.
4. THE BEARING DEVICE FOR THE W27 X 194 BEAM WILL BE PAID AT THE SAME UNIT PRICE AS FOR THE OTHER BEARING DEVICES.



FRONT ELEVATION

EXPANSION BEARING DETAILS AT ABUT. NO. 1

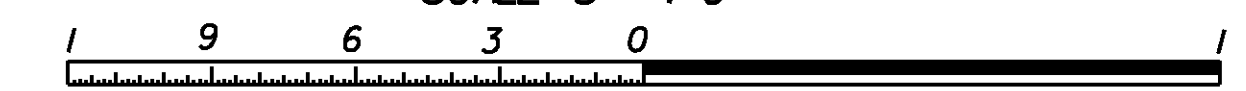
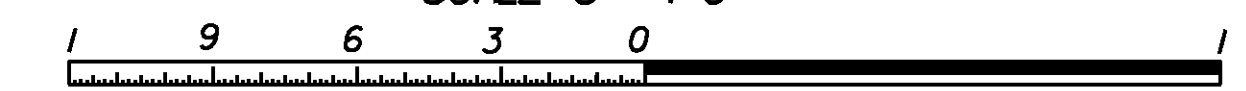
SCALE 3" = 1'-0"



FRONT ELEVATION

FIXED BEARING DETAILS AT ABUT. NO. 2

SCALE 3" = 1'-0"



PLOTTED 2/2/2009

DuBois & King
 engineering planning management development

STATE OF VERMONT AGENCY OF TRANSPORTATION		
Town Of	BARRE CITY	Bridge No. 7
Highway No.	PROSPECT ST.	Log Sta. Surv. Sta.
PROSPECT ST. OVER STEVENS BRANCH		
BEARING DETAILS (W27X194)		
Designed By	A.P. GUYETTE	Drawn By A.P. GUYETTE
Checked By	Date	Bridge Design Supervisor
E. P. DETRICK	1/09	J. W. TUCKER Date 1/09
PROJECT	BARRE CITY	PROJECT NO. BHF 6000 (15) S
I.G.C. info.		
Bridge Sheet No.		Sheet 31A of 56