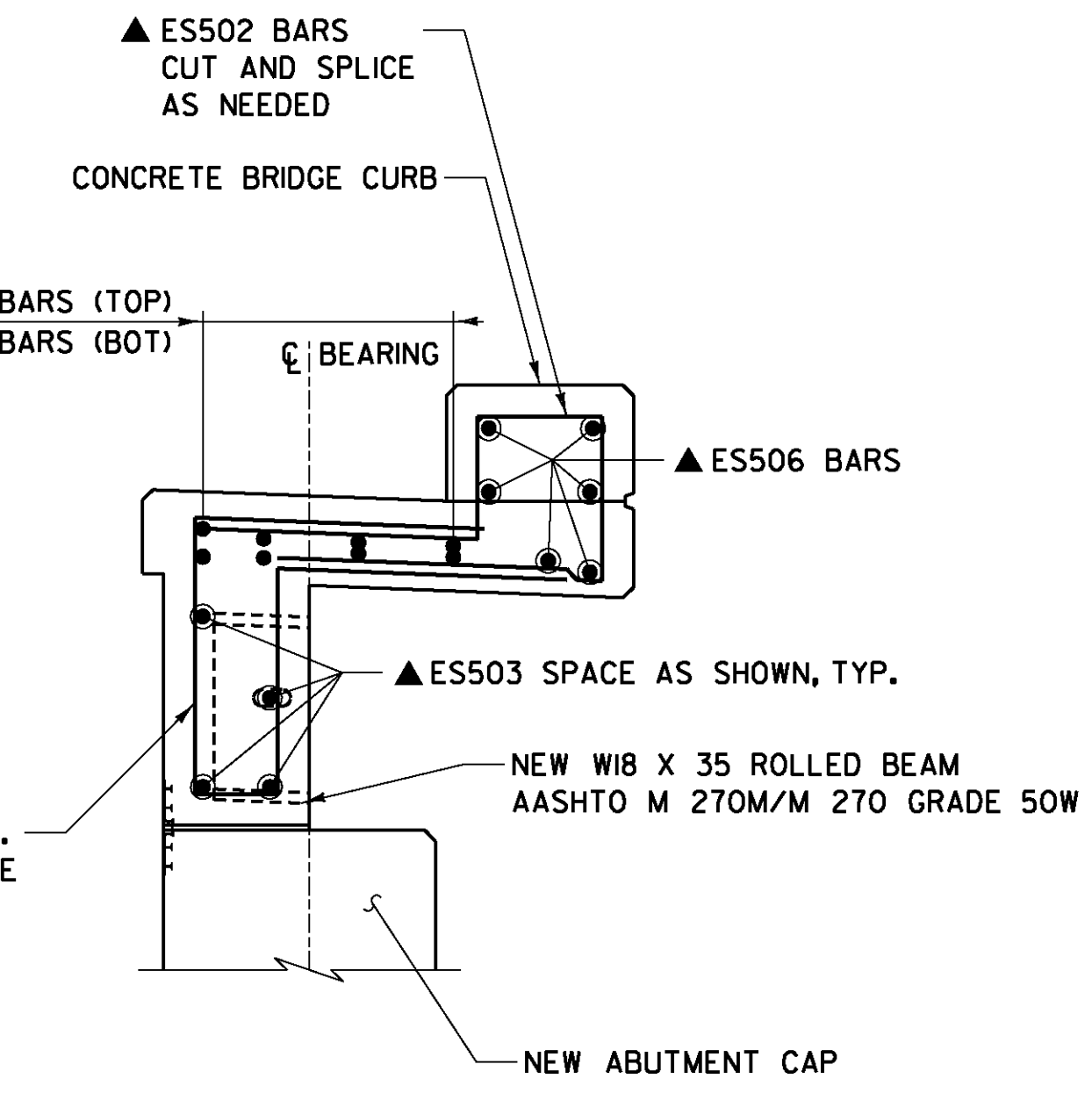
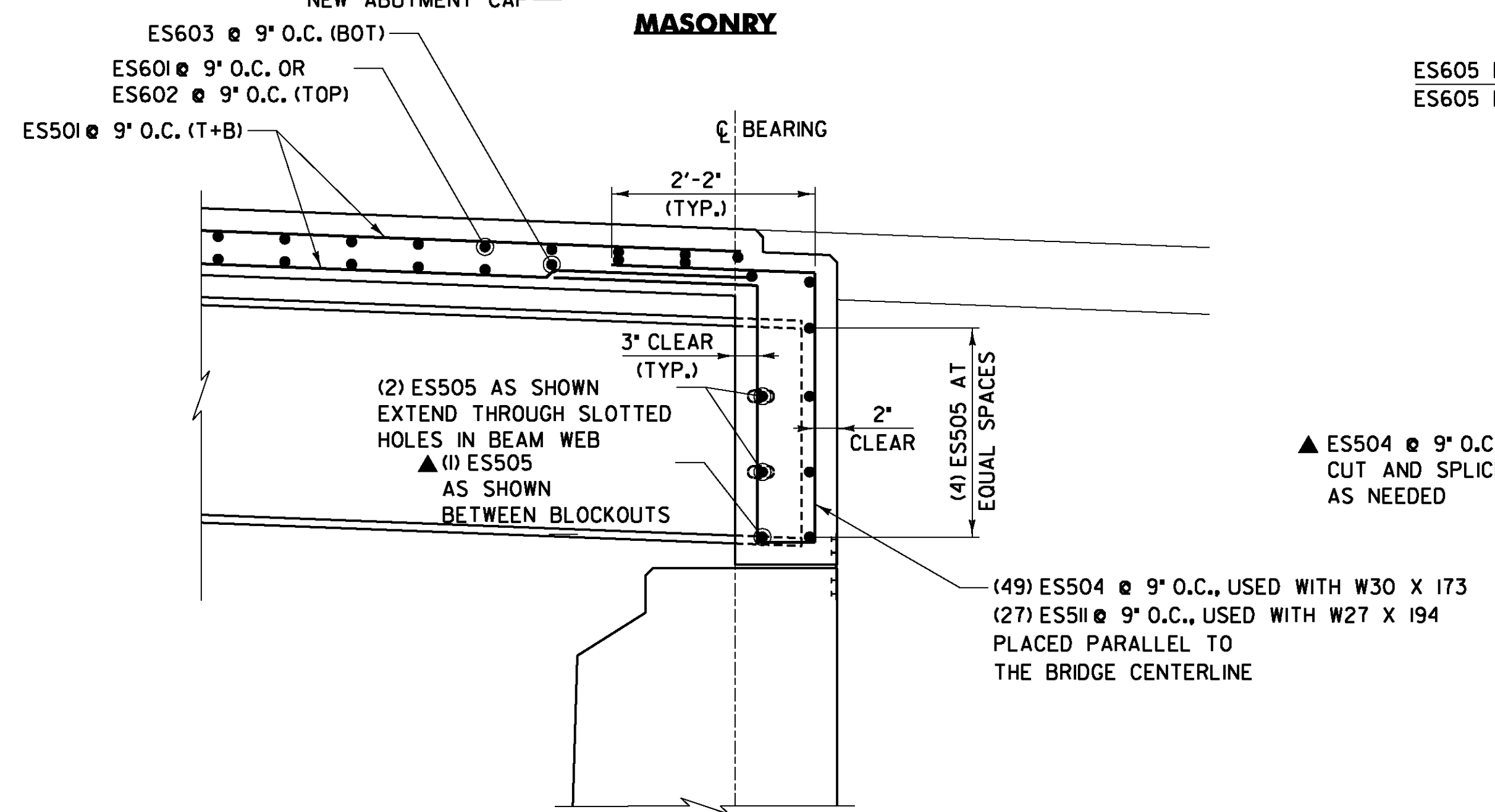
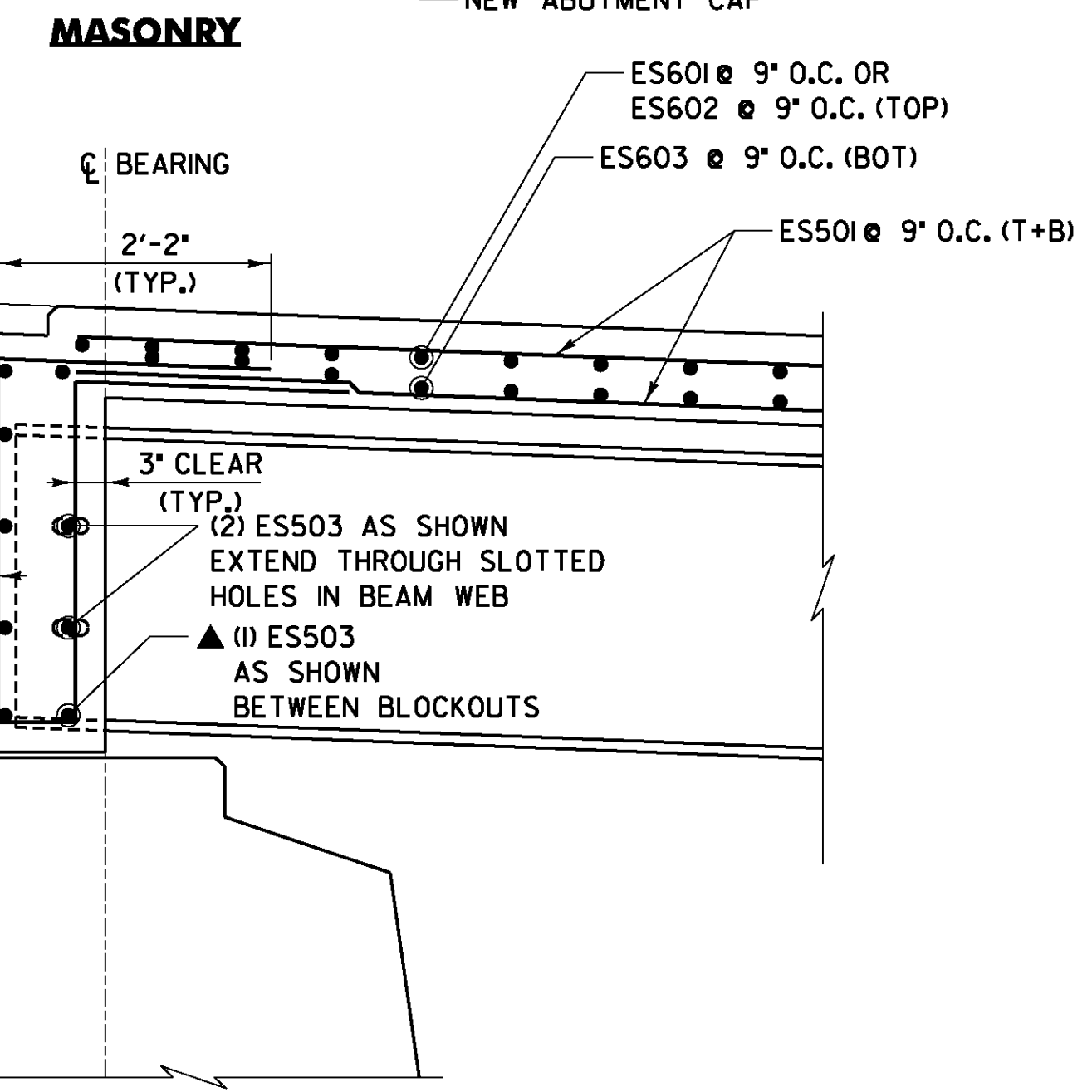


**NOTE:**  
PAYMENT FOR JOINT FILLER AND WATERSTOPS  
WILL BE MADE INCIDENTAL TO THE ADJACENT  
CONCRETE PAY ITEM.

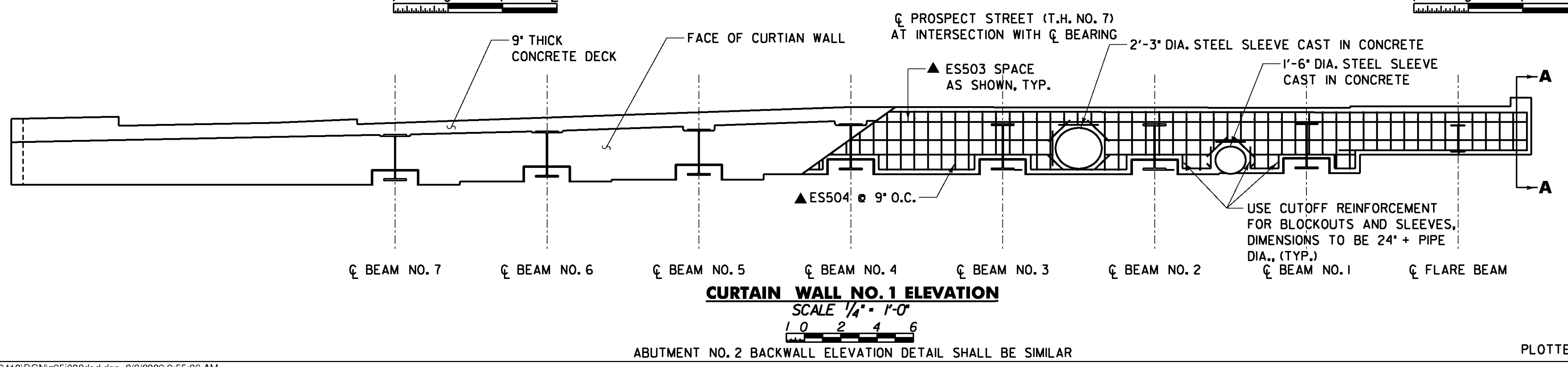


**BRIDGE END DETAIL AT ABUTMENT NO. 1  
(EXPANSION END)**  
SCALE 3/4" = 1'-0"

**BRIDGE END DETAIL AT ABUTMENT NO. 2  
(FIXED END)**  
SCALE 3/4" = 1'-0"

**SECTION A-A**  
SCALE 3/4" = 1'-0"

**KEY**  
N.F. = NEAR FACE  
F.F. = FAR FACE  
E.F. = EACH FACE  
S = DECK OR SLAB  
A = ABUTMENT  
C = CURBING  
▲ = CUT TO FIT IN FIELD



**CURTAIN WALL NO. 1 ELEVATION**  
SCALE 1/4" = 1'-0"

ABUTMENT NO. 2 BACKWALL ELEVATION DETAIL SHALL BE SIMILAR

PLOTTED 2/2/2009

**STATE OF VERMONT  
AGENCY OF TRANSPORTATION**

Town Of	BARRE CITY	Bridge No.	7
Highway No.	PROSPECT ST.	Log Sta.	
		Surv. Sta.	

**PROSPECT ST. OVER STEVENS BRANCH**

**DECK END DETAILS**

Designed By	A.P. GUYETTE	Drawn By	A.P. GUYETTE
Checked By	Date	Bridge Design Supervisor	Date
E. P. DETRICK	1/09	J. W. TUCKER	1/09
PROJECT	BARRE CITY	PROJECT NO.	BHF 6000 (15) S
I.G.C. info.			
Bridge Sheet No.		Sheet	27 of 56

**DuBois & King**  
engineering planning management development