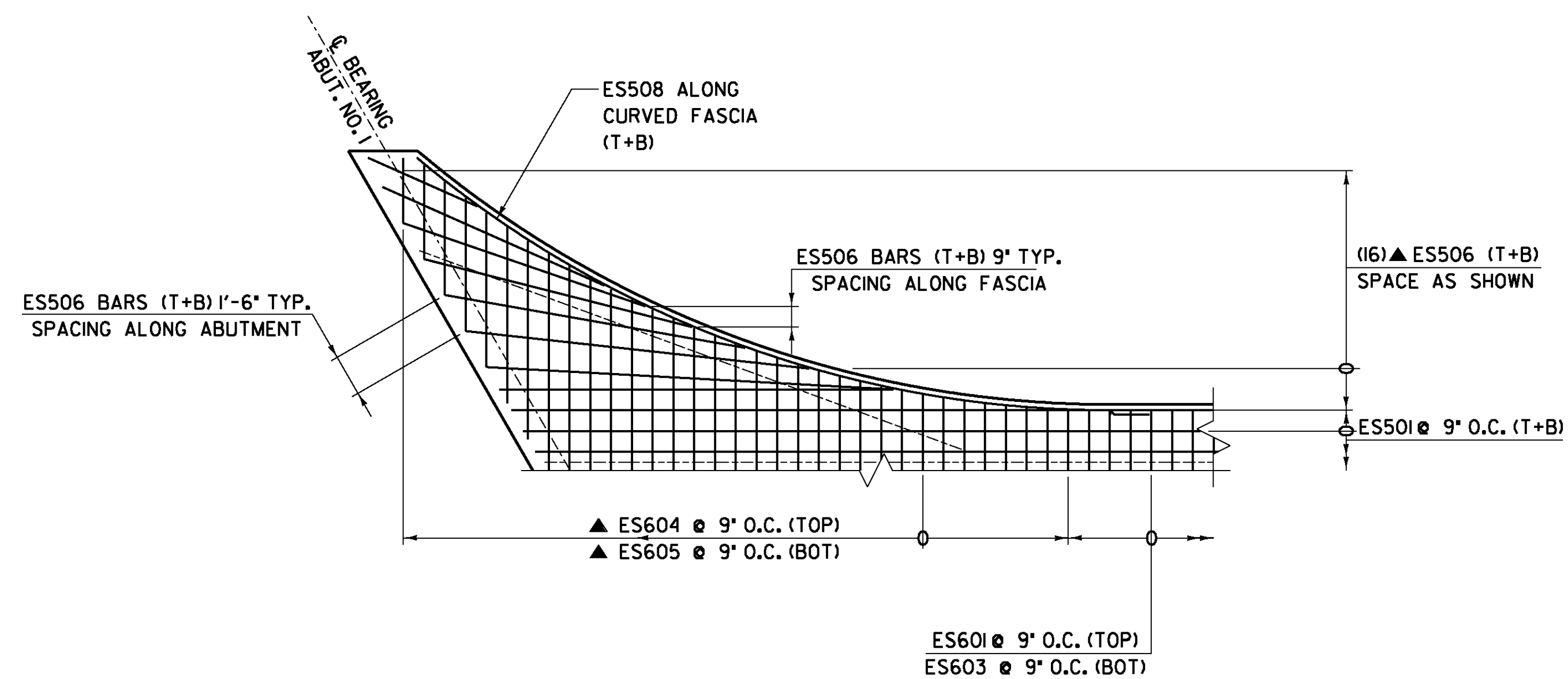


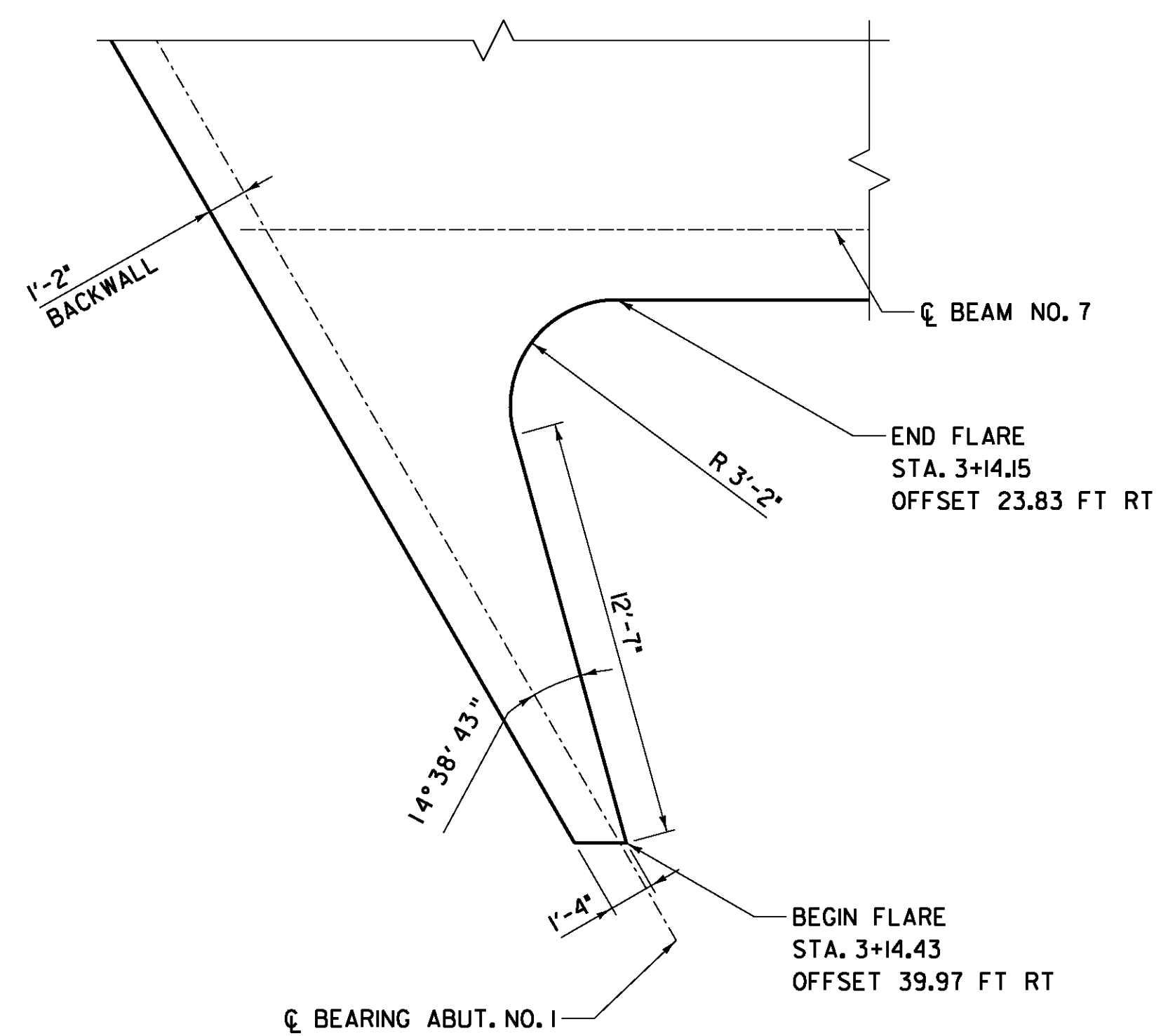
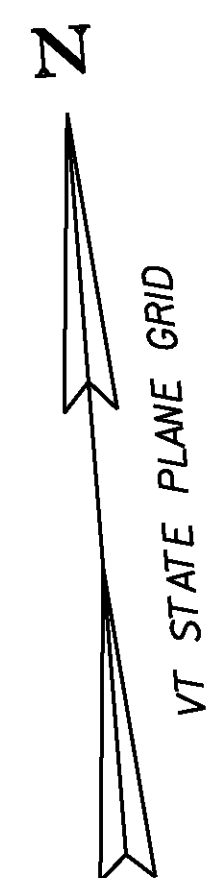
DECK FLARE NO. 1 DETAIL

SCALE 1/4" = 1'-0"
1 0 2 4 6



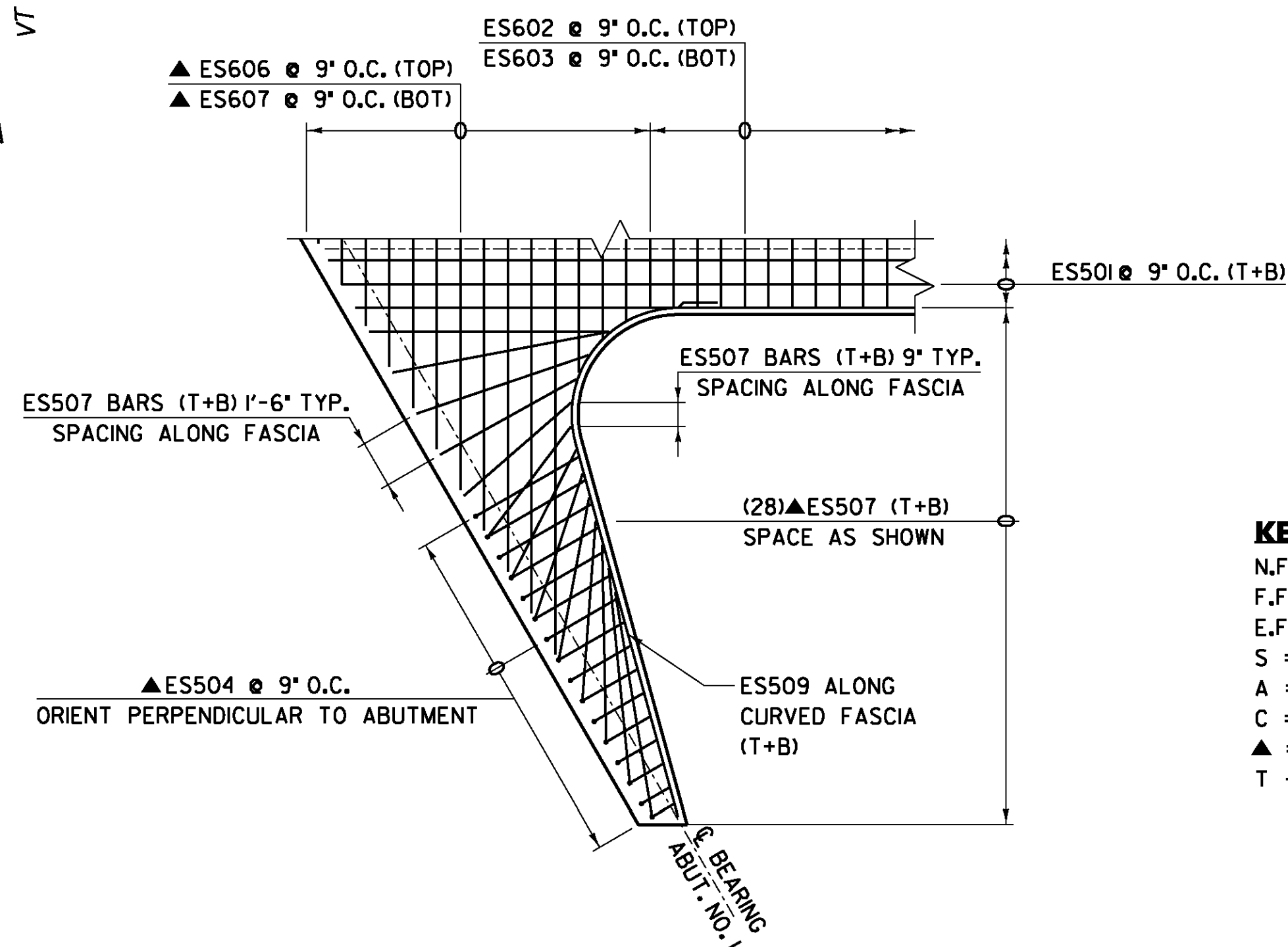
DECK FLARE NO. 1 REINFORCEMENT

SCALE 1/4" = 1'-0"
1 0 2 4 6



DECK FLARE NO. 2 DETAIL

SCALE 1/4" = 1'-0"
1 0 2 4 6



DECK FLARE NO. 2 REINFORCEMENT

SCALE 1/4" = 1'-0"
1 0 2 4 6

- KEY**
- N.F. = NEAR FACE
 - F.F. = FAR FACE
 - E.F. = EACH FACE
 - S = DECK OR SLAB
 - A = ABUTMENT
 - C = CURBING
 - ▲ = CUT TO FIT IN FIELD
 - T + B = TOP AND BOTTOM

**STATE OF VERMONT
AGENCY OF TRANSPORTATION**

Town Of	BARRE CITY	Bridge No.	7
Highway No.	PROSPECT ST.	Log Sta.	
		Surv. Sta.	

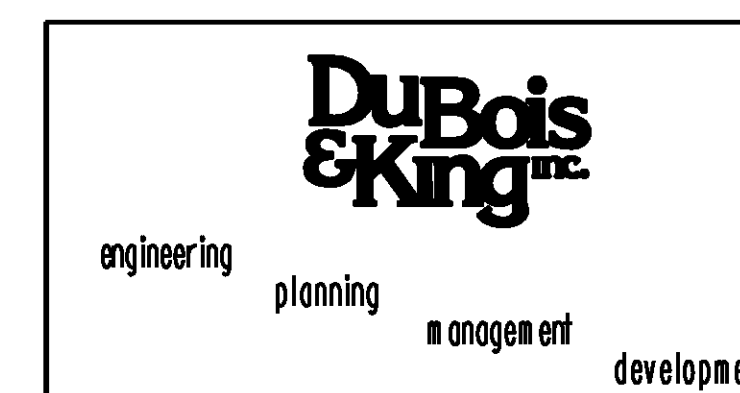
PROSPECT ST. OVER STEVENS BRANCH

FLARE DETAILS

Designed By	A.P. GUYETTE	Drawn By	A.P. GUYETTE
Checked By	Date	Bridge Design Supervisor	Date
E. P. DETRICK	1/09	J. W. TUCKER	1/09

PROJECT	BARRE CITY	PROJECT NO.	BHF 6000 (15) S
---------	------------	-------------	-----------------

I.G.C. info.	
Bridge Sheet No.	Sheet 26 of 56



PLOTTED 2/2/2009