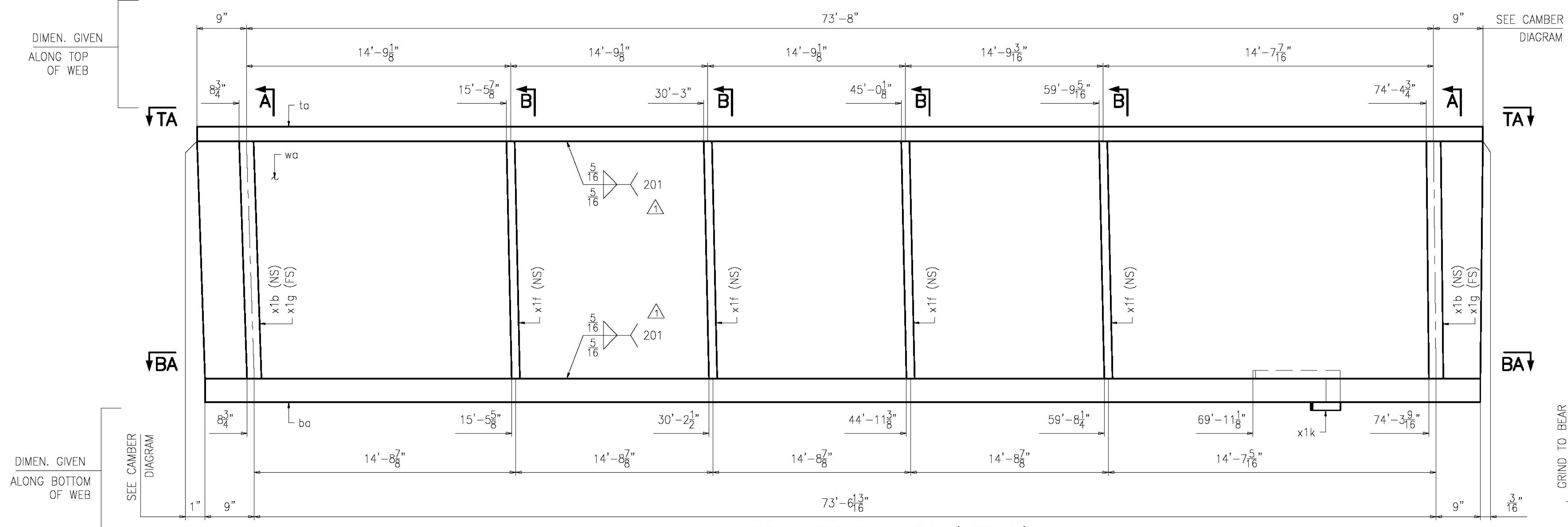
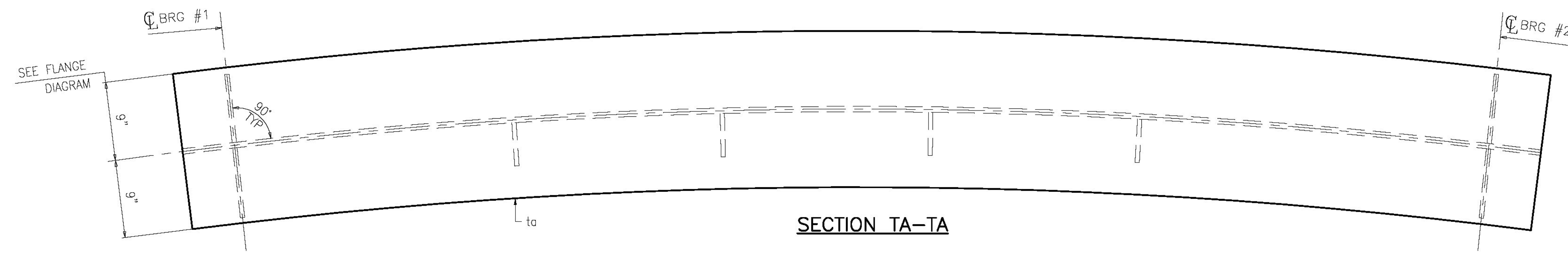
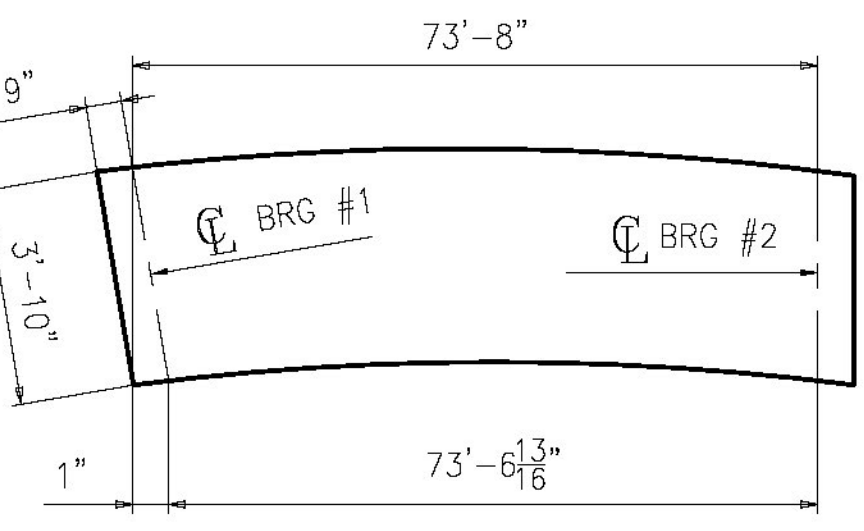
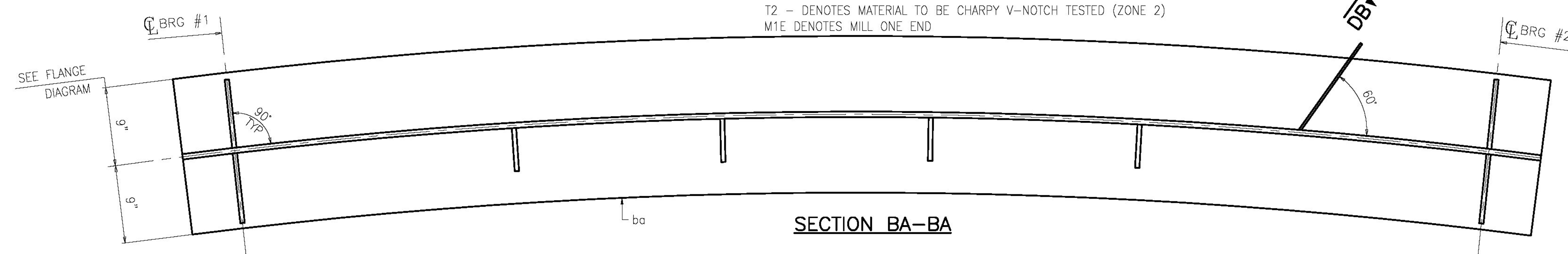


JOB NO.		DRAWING NO.		REV.			
829		4		△			
ARM INFO	SHIP	BILL OF MATERIAL		REMARKS	WT	PROCUREMENT NOTES	
PAGE LINE	MARK	QTY	MARK	MATERIAL	LENGTH FT INCHES		
	4G4A	1		GIRDER		PAINTED	15989
1	D	1	wa	PL 1/2 x 46	75 2	A709-50T2	5878
1	K	1	ta	PL 7/8 x 18	75 2 1/4		4026
1	L	1	ba	PL 1 1/4 x 18	75 1 1/16	A709-50T2	5744
1	N	2	x1b	PL 1/2 x 8	3 10	M1E	104
1	N	2	x1g	PL 1/2 x 8	3 10	M1E	104
1	P	4	x1f	PL 1/2 x 5	3 10		130
1	V	1	x1k	PL 1/4 x 3 1/4	1 0 1/4		3

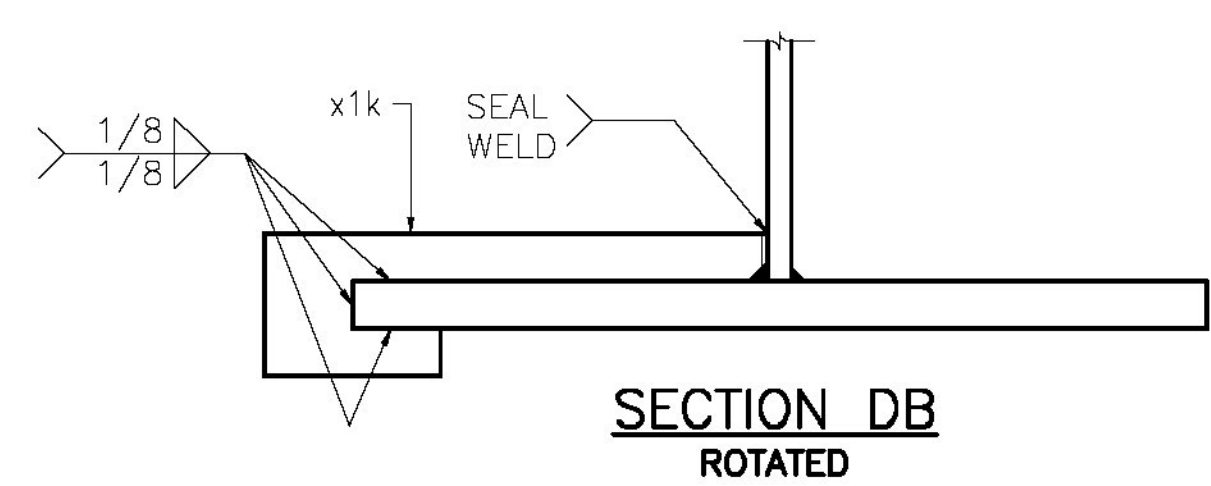


ONE ~ GIRDER ~ 4G4A (PAINTED)
 FOR STANDARD DETAILS SEE SHEET X1
 FOR CAMBER DIAGRAM SEE SHEET C1
 FOR FLANGE DIAGRAM SEE SHEET C5
 FOR GENERAL NOTES SEE SHEET GN1
 T2 - DENOTES MATERIAL TO BE CHARPY V-NOTCH TESTED (ZONE 2)
 M1E DENOTES MILL ONE END

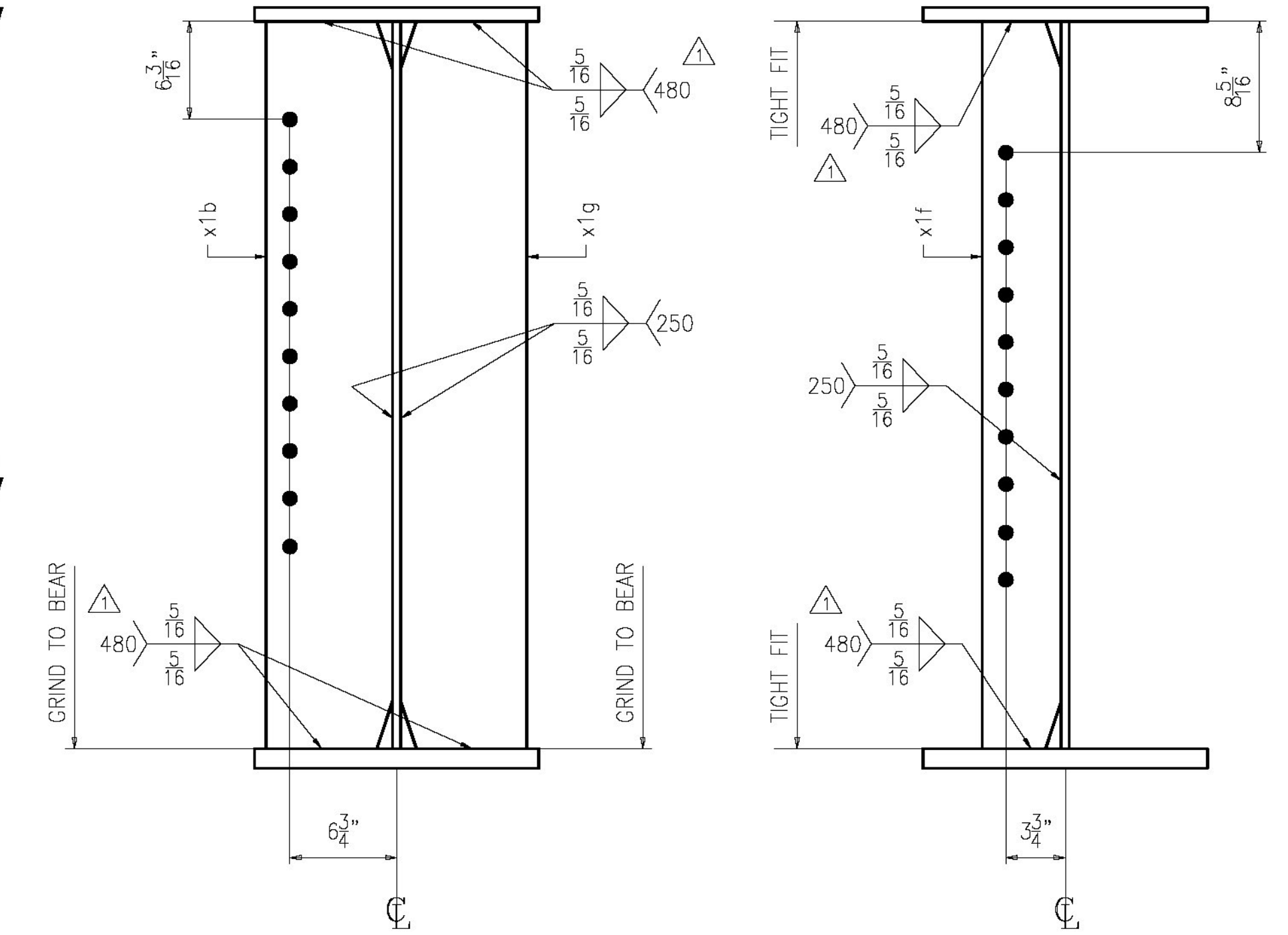


ORIENTATION DIAGRAM

Vermont Agency of Transportation
RECEIVED
 CK'D BY FDB OK'D BY HIS
June 10, 2015
 RESUBMIT No Approved
 BY Carolyn Carlson DATE 06/11/15



SECTION DB ROTATED



SECTION A

SECTION B

1	06/05/15	PER APPROVAL COMMENTS	EG	YT		
0						
REV.	DATE	REMARKS	DWN	CHK	APVL	SHOP
MATERIAL:		SURFACE PREP. & PAINT:		HOLES:		SHOP BOLTS:
A709-50 U.N.		SEE DWG GN1		15/16"ø		NONE
DESCRIPTION:		GIRDER 4G4A				
CASCO BAY STEEL STRUCTURES, INC. 1 WALLACE AVE. SOUTH PORTLAND, ME 04106 PHONE (207) 780-6722 FAX. (207) 780-6726		DRAWN: BK		DATE: 04/23		
STRUCTURE: REPLACEMENT OF BRIDGE NO. 12 ON TH27 INCLUDING APPROACH ROADWAY AND CHANNEL WORK TOWN OF COLCHESTER, COUNTY OF CHITTENDEN STATE OF VERMONT AGENCY OF TRANSPORTATION		CHKD: YT		DATE: 04/23		
LOCATION: COLCHESTER / CHITTENDEN, VT		JOB NO. 629-1		DWG NO. 4		
PROJ NO. STP 5600(12)				REV. △		
CUSTOMER: A.L. ST. ONCE						

ENGINEERING REVIEW STAMP