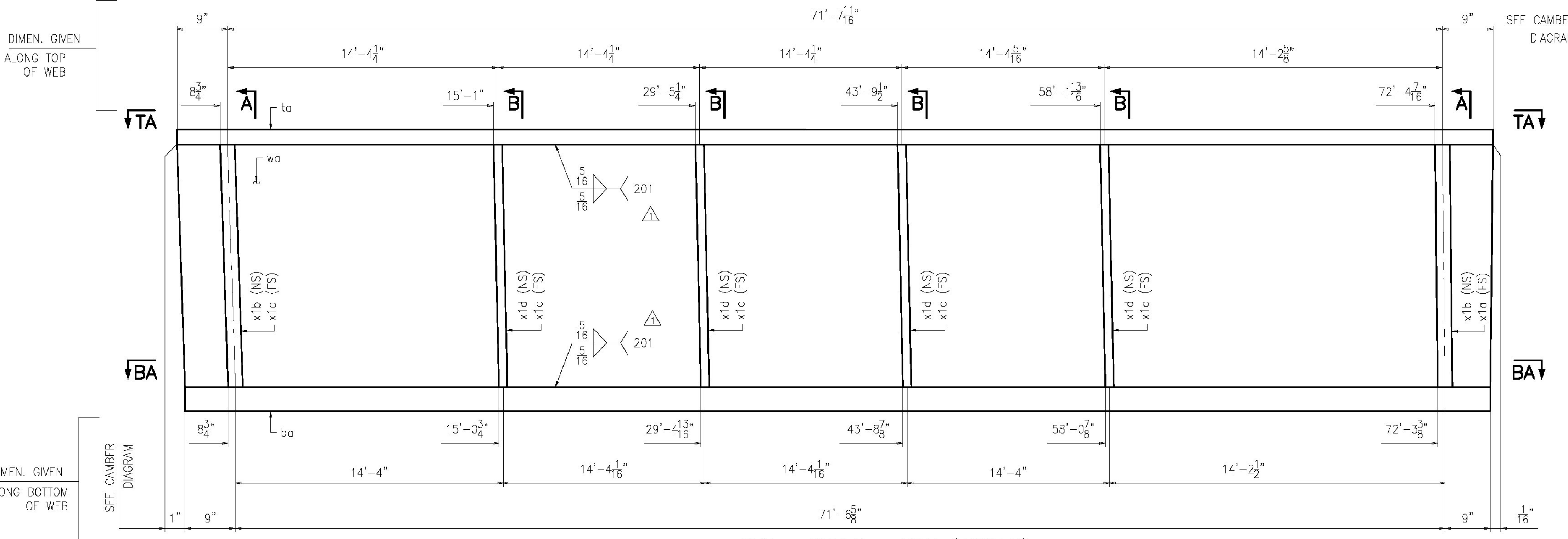
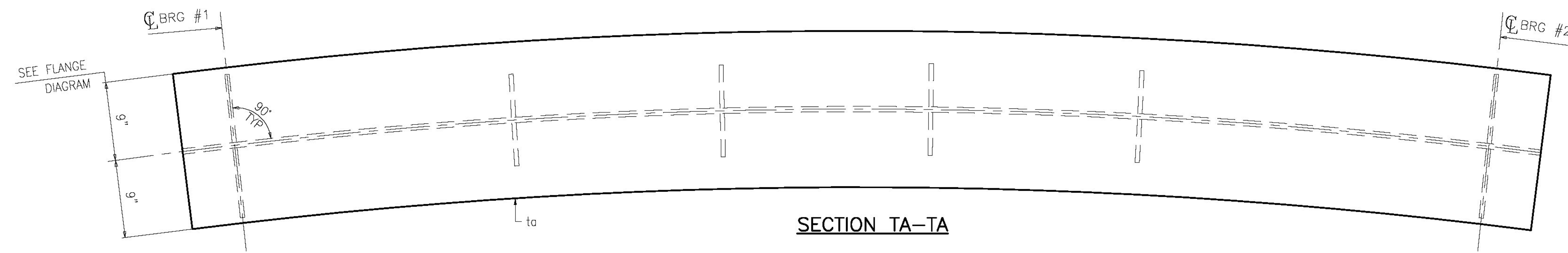
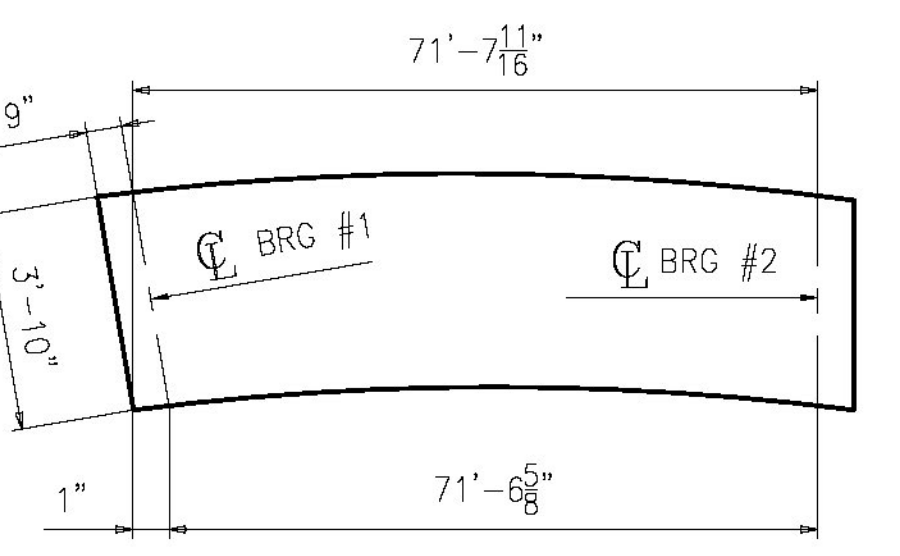
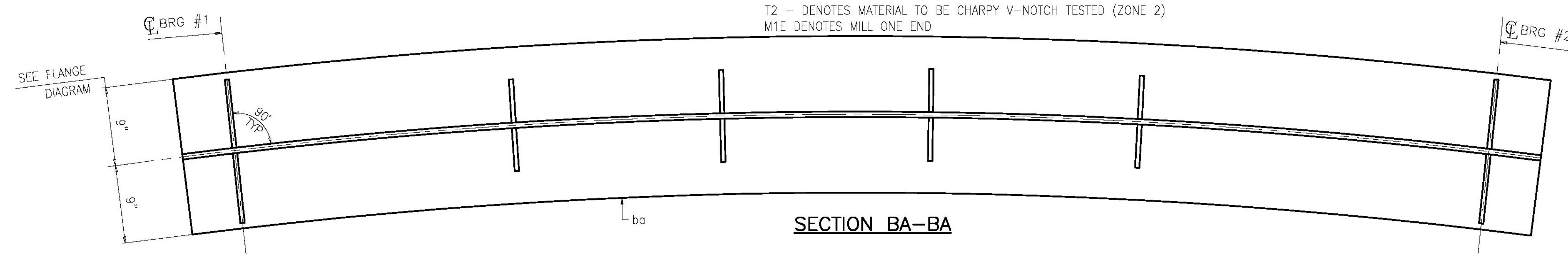
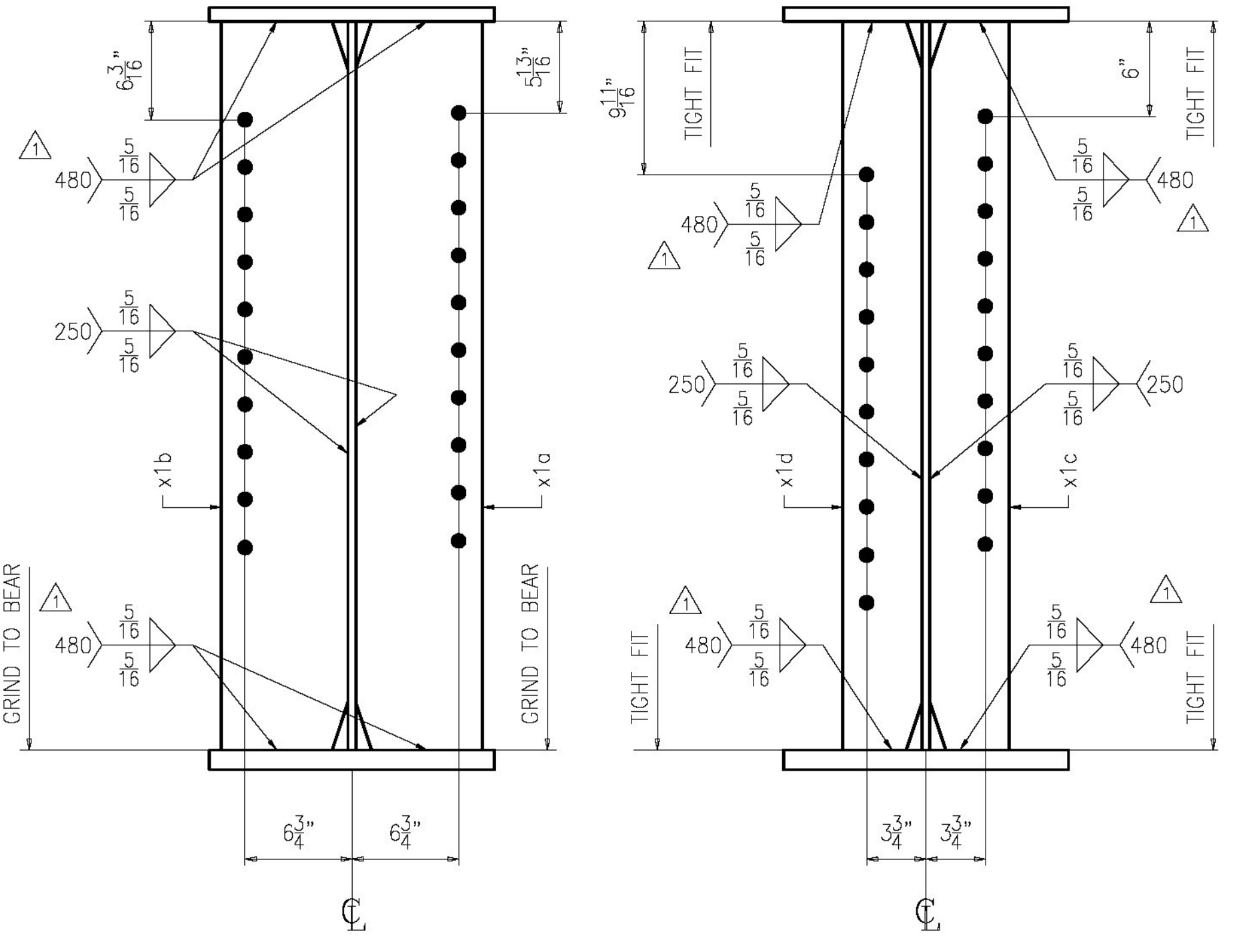


JOB NO.		DRAWING NO.		REV.					
829		3		A					
PAGE	LINE	MARK	QTY	MARK	MATERIAL	LENGTH FT INCHES	REMARKS	WT	PROCUREMENT NOTES
		3G3A	1		GIRDER		PAINTED	15696	
1	C		1	wa	PL 1/2 x 46	73 1 11/16	A709-50T2	5720	
1	H		1	ta	PL 7/8 x 18	73 1 15/16		3918	
1	J		1	ba	PL 1 1/4 x 18	73 0 7/8	A709-50T2	5590	
1	N		2	x1a	PL 1/2 x 8	3 10	M1E	104	
1	N		2	x1b	PL 1/2 x 8	3 10	M1E	104	
1	P		4	x1c	PL 1/2 x 5	3 10		130	
1	P		4	x1d	PL 1/2 x 5	3 10		130	



**ONE ~ GIRDER ~ 3G3A (PAINTED)**  
 FOR STANDARD DETAILS SEE SHEET X1  
 FOR CAMBER DIAGRAM SEE SHEET C1  
 FOR FLANGE DIAGRAM SEE SHEET C4  
 FOR GENERAL NOTES SEE SHEET GN1  
 T2 - DENOTES MATERIAL TO BE CHARPY V-NOTCH TESTED (ZONE 2)  
 M1E DENOTES MILL ONE END



**ORIENTATION DIAGRAM**

Vermont Agency of Transportation  
**RECEIVED**  
 CK'D BY FDB OK'D BY HIS  
**June 10, 2015**  
 RESUBMIT No Approved  
 BY Carolyn Carlson DATE 06/11/15

ENGINEERING REVIEW STAMP

1	06/05/15	PER APPROVAL COMMENTS	EG	YT		
0						
REV.	DATE	REMARKS	DWN	CHK	APVL	SHOP
MATERIAL:		SURFACE PREP. & PAINT:		HOLES:		SHOP BOLTS:
A709-50 U.N.		SEE DWG GN1		15/16"Ø		NONE
DESCRIPTION:			GIRDER 3G3A			
STRUCTURE:			DRAWN:		DATE:	
REPLACEMENT OF BRIDGE NO. 12 ON TH27 INCLUDING APPROACH ROADWAY AND CHANNEL WORK TOWN OF COLCHESTER, COUNTY OF CHITTENDEN STATE OF VERMONT AGENCY OF TRANSPORTATION			BK		04/23	
LOCATION:			JOB NO.		DWG NO.	
COLCHESTER / CHITTENDEN, VT			629-1		3	
PROJ NO. STP 5600(12)		CUSTOMER: A.L. ST. ONCE		REV.		A

**CASCO BAY STEEL STRUCTURES, INC.**  
 1 WALLACE AVE. PHONE (207) 780-6722  
 SOUTH PORTLAND, ME 04106 FAX. (207) 780-6726  
 TENCA 1415