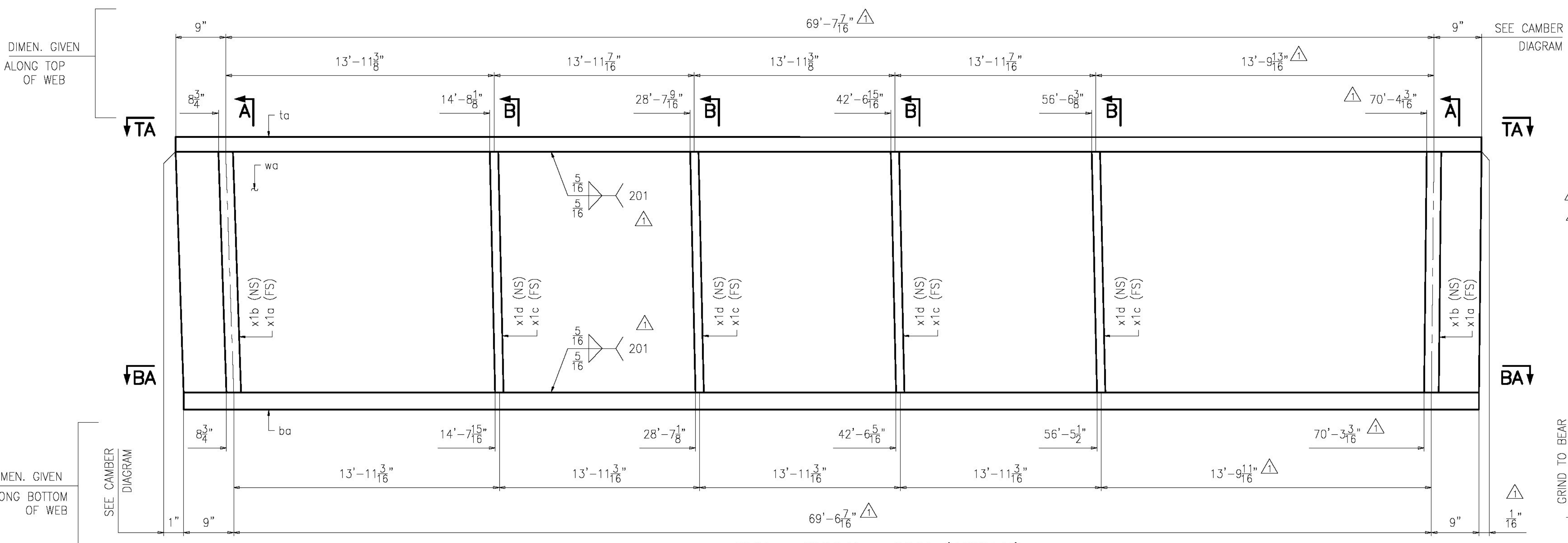
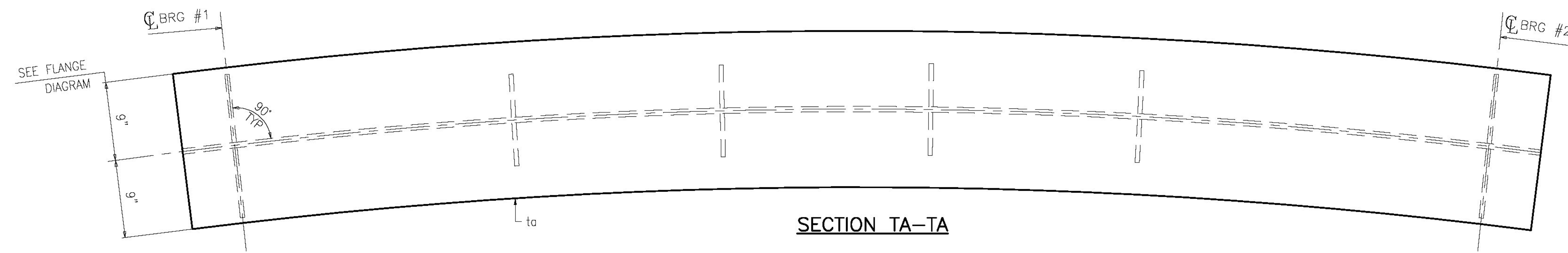
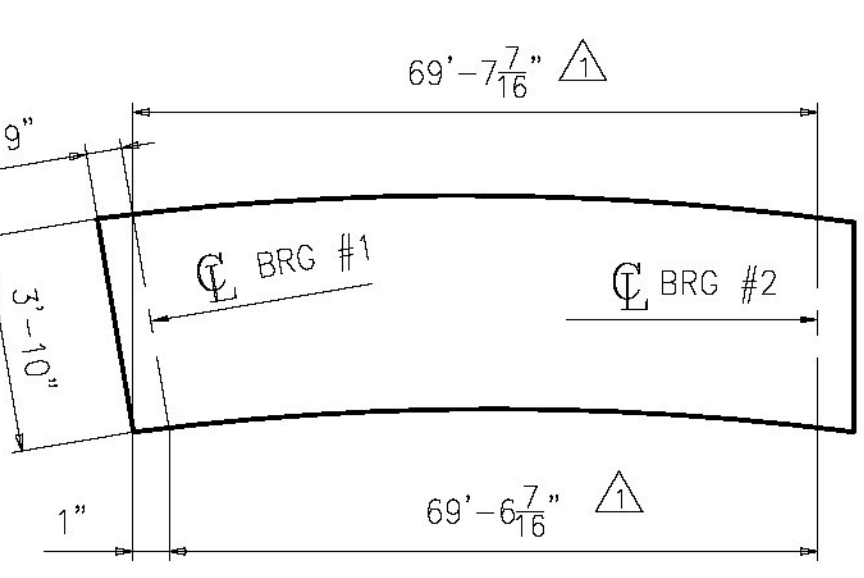
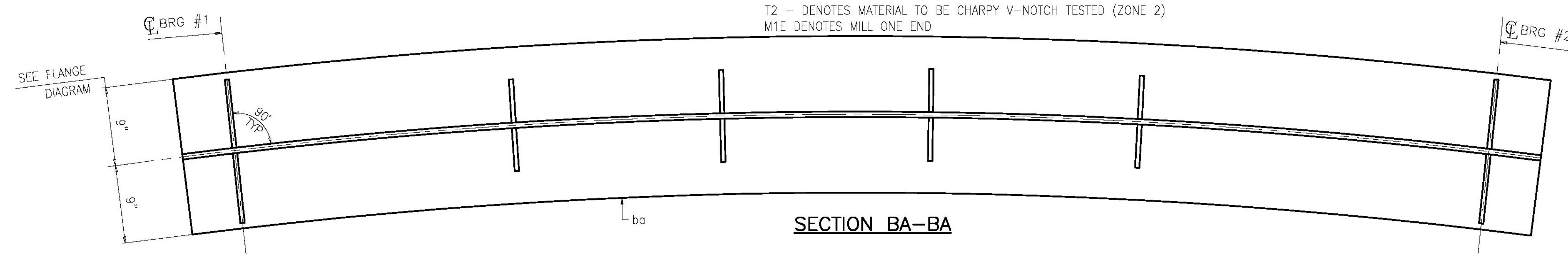
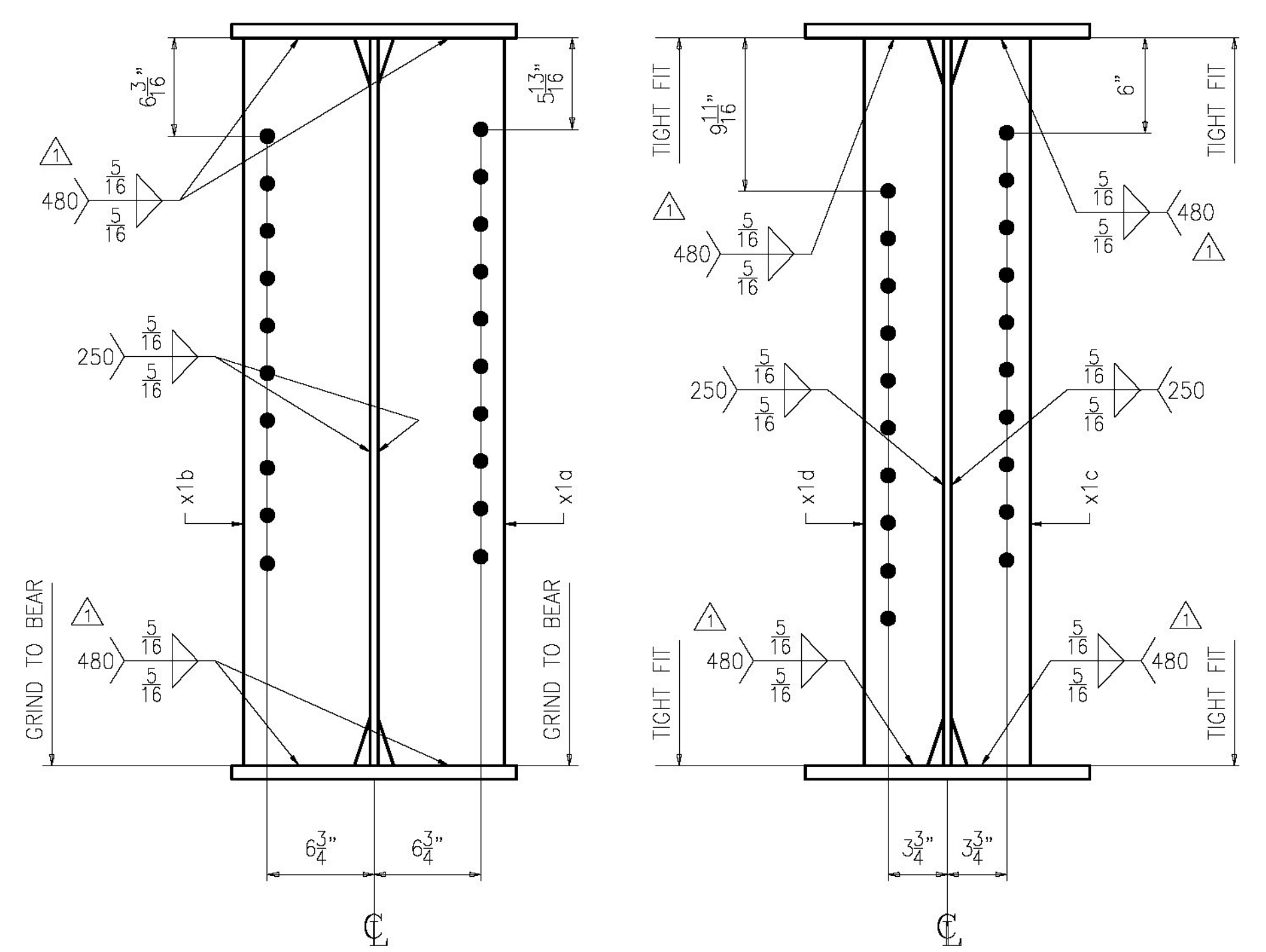


JOB NO.		DRAWING NO.		REV.					
829		2		A					
ARM INFO	SHIP	BILL OF MATERIAL		JOB NO.	DRAWING NO.	REV.			
PAGE	LINE	MARK	QTY	MARK	MATERIAL	LENGTH FT INCHES	REMARKS	WT	PROCUREMENT NOTES
		2G2A	1		GIRDER		PAINTED	13646	
1	B		1	wa	PL 1/2 x 46	71 1 7/16	A709-50T2	5562	
1	Y		1	ta	PL 7/8 x 18	71 1 3/4		3810	
1	G		1	ba	PL 7/8 x 18	71 0 3/4	A709-50T2	3806	
1	N		2	x1a	PL 1/2 x 8	3 10	M1E	104	
1	N		2	x1b	PL 1/2 x 8	3 10	M1E	104	
1	P		4	x1c	PL 1/2 x 5	3 10		130	
1	P		4	x1d	PL 1/2 x 5	3 10		130	



ONE ~ GIRDER ~ 2G2A (PAINTED)
 FOR STANDARD DETAILS SEE SHEET X1
 FOR CAMBER DIAGRAM SEE SHEET C1
 FOR FLANGE DIAGRAM SEE SHEET C3
 FOR GENERAL NOTES SEE SHEET GN1
 T2 - DENOTES MATERIAL TO BE CHARPY V-NOTCH TESTED (ZONE 2)
 M1E DENOTES MILL ONE END



ORIENTATION DIAGRAM

Vermont Agency of Transportation
RECEIVED
 CK'D BY FDB OK'D BY HIS
June 10, 2015
 RESUBMIT No Approved
 BY Carolyn Carlson DATE 06/11/15

ENGINEERING REVIEW STAMP

1	06/05/15	PER APPROVAL COMMENTS	EG	YT		
0						
REV.	DATE	REMARKS	DWN	CHK	APVL	SHOP
MATERIAL:		SURFACE PREP. & PAINT:		HOLES:		SHOP BOLTS:
A709-50 U.N.		SEE DWG GN1		15/16"Ø		NONE
DESCRIPTION:		GIRDER 2G2A				
		CASCO BAY STEEL STRUCTURES, INC. 1 WALLACE AVE. PHONE (207) 780-6722 SOUTH PORTLAND, ME 04106 FAX. (207) 780-6726				
STRUCTURE:		REPLACEMENT OF BRIDGE NO. 12 ON TH27 INCLUDING APPROACH ROADWAY AND CHANNEL WORK TOWN OF COLCHESTER, COUNTY OF CHITTENDEN STATE OF VERMONT AGENCY OF TRANSPORTATION	DRAWN:	BK	DATE:	04/23
LOCATION:		COLCHESTER / CHITTENDEN, VT	CHKD:	YT	DATE:	04/23
PROJ NO.		STP 5600(12)	JOB NO.	629-1	DWG NO.	2
CUSTOMER:		A.L. ST. ONCE	REV.			A