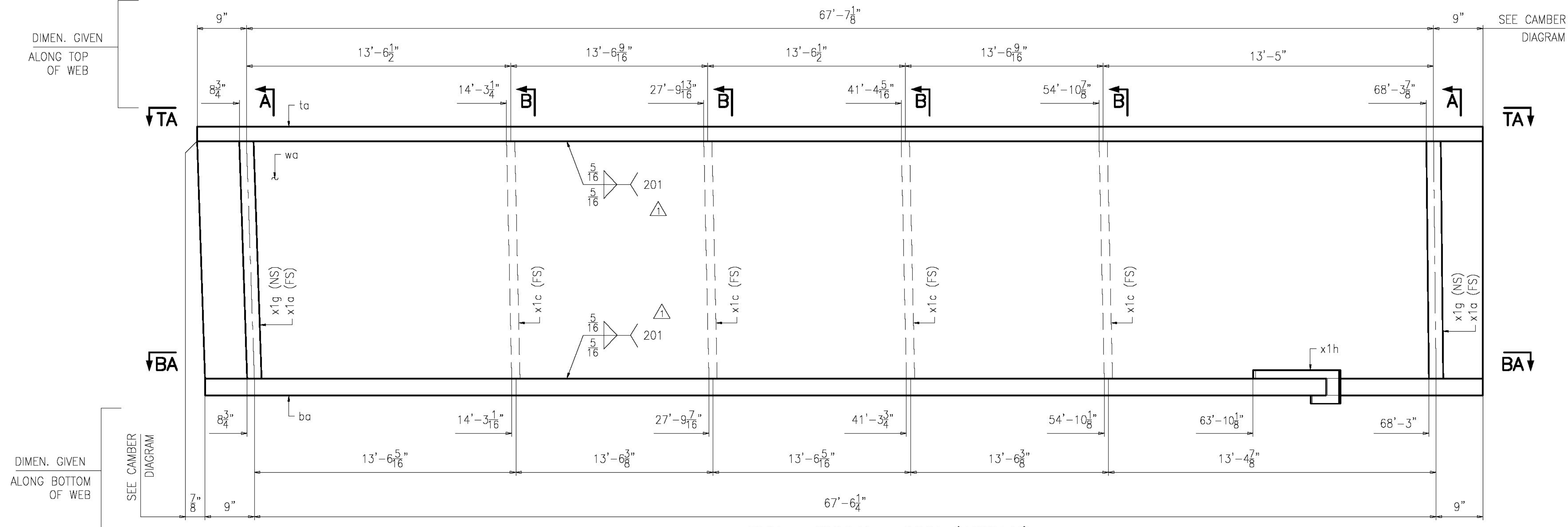
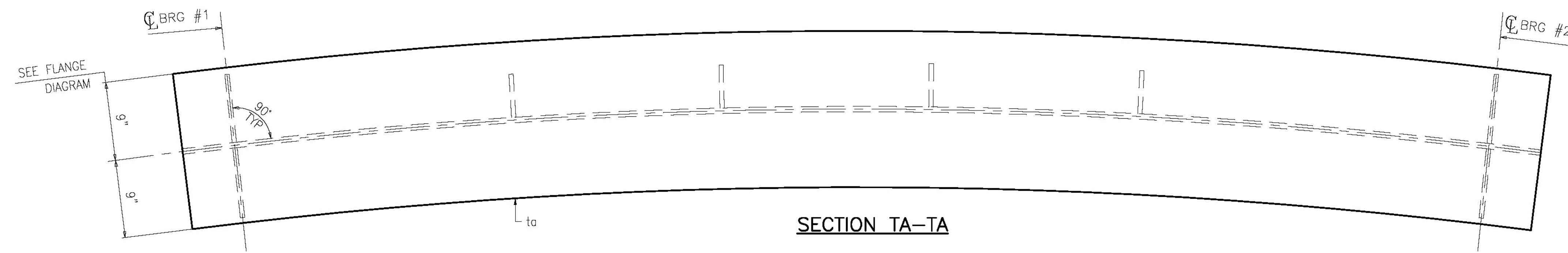
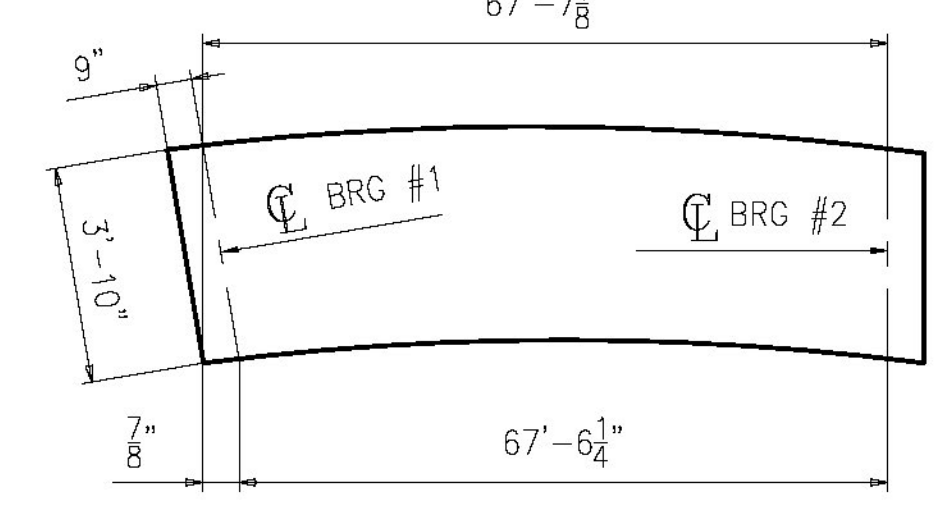
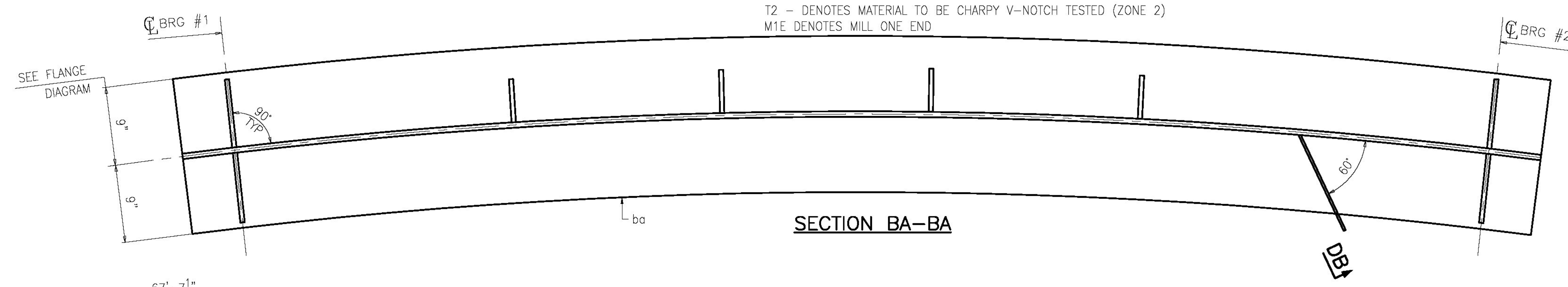
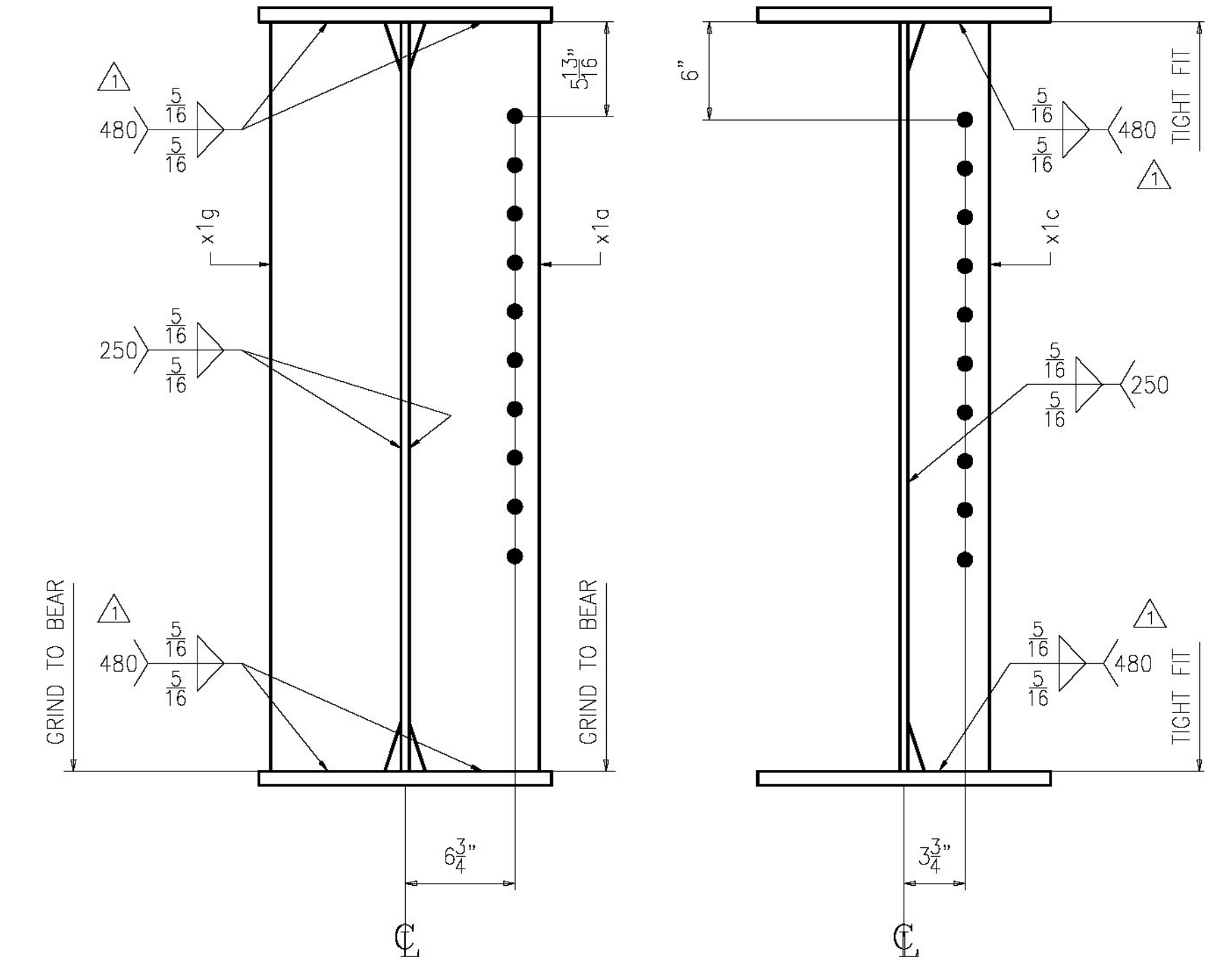


JOB NO.		DRAWING NO.		REV.					
829		1		1					
ABM INFO	SHIP	BILL OF MATERIAL		REMARKS	WT	PROCUREMENT NOTES			
PAGE	LINE	MARK	QTY	MARK	MATERIAL	LENGTH FT INCHES			
		1G1A	1		GIRDER		PAINTED	13142	
1	A		1	wa	PL 1/2 x 46	69 1 1/8	A709-50T2	5403	
1	X		1	ta	PL 7/8 x 18	69 1 1/2		3702	
1	F		1	ba	PL 7/8 x 18	69 0 9/16	A709-50T2	3697	
1	N		2	x1a	PL 1/2 x 8	3 10	M1E	104	
1	P		4	x1c	PL 1/2 x 5	3 10		130	
1	N		2	x1g	PL 1/2 x 8	3 10	M1E	104	
1	U		1	x1h	PL 1/4 x 2 7/8	1 0 1/4		2	

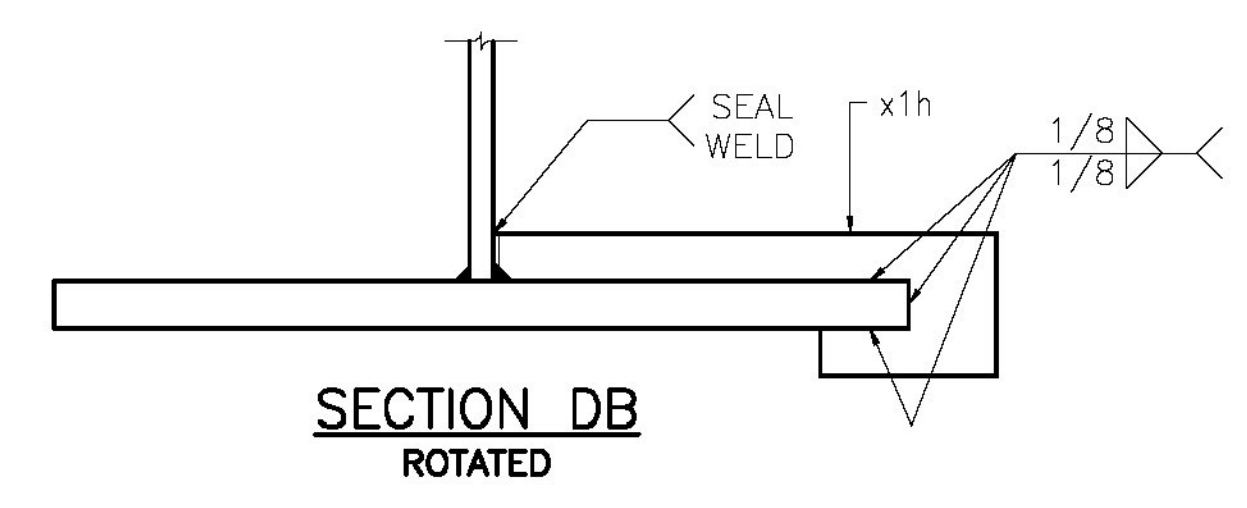


ONE ~ GIRDER ~ 1G1A (PAINTED)
 FOR STANDARD DETAILS SEE SHEET X1
 FOR CAMBER DIAGRAM SEE SHEET C1
 FOR FLANGE DIAGRAM SEE SHEET C2
 FOR GENERAL NOTES SEE SHEET GN1
 T2 - DENOTES MATERIAL TO BE CHARPY V-NOTCH TESTED (ZONE 2)
 M1E DENOTES MILL ONE END



ORIENTATION DIAGRAM

Vermont Agency of Transportation
RECEIVED
 CK'D BY FDB OK'D BY HIS
June 10, 2015
 RESUBMIT No Approved
 BY Carolyn Carlson DATE 06/11/15



SECTION DB ROTATED

REV.	DATE	REMARKS	DWN	CHK	APVL	SHOP
1	06/05/15	PER APPROVAL COMMENTS	EG	YT		
0						

MATERIAL: A709-50 U.N. SURFACE PREP. & PAINT: SEE DWG GN1 HOLES: 15/16"ø SHOP BOLTS: NONE

DESCRIPTION: GIRDER 1G1A

CASCO BAY STEEL STRUCTURES, INC.
 1 WALLACE AVE. PHONE (207) 780-6722
 SOUTH PORTLAND, ME 04106 FAX. (207) 780-6726

STRUCTURE:	DRAWN:	DATE:
REPLACEMENT OF BRIDGE NO. 12 ON TH27 INCLUDING APPROACH ROADWAY AND CHANNEL WORK TOWN OF COLCHESTER, COUNTY OF CHITTENDEN STATE OF VERMONT AGENCY OF TRANSPORTATION	BK	04/22
	CHKD:	DATE:
	YT	04/23

LOCATION:	JOB NO.	DWG NO.
COLCHESTER / CHITTENDEN, VT		
PROJ. NO.		
STP 5600(12)		
CUSTOMER:		
A.L. ST. ONCE		

ENGINEERING REVIEW STAMP