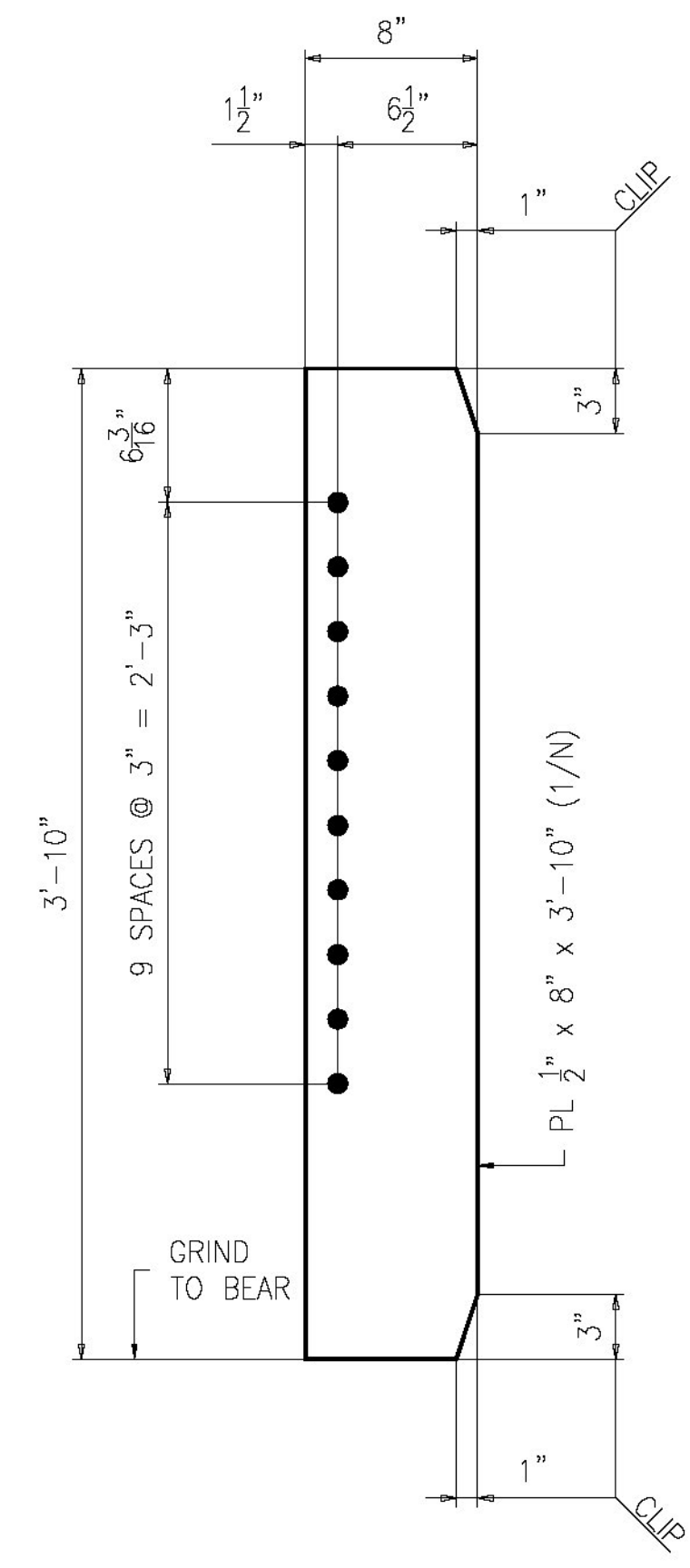
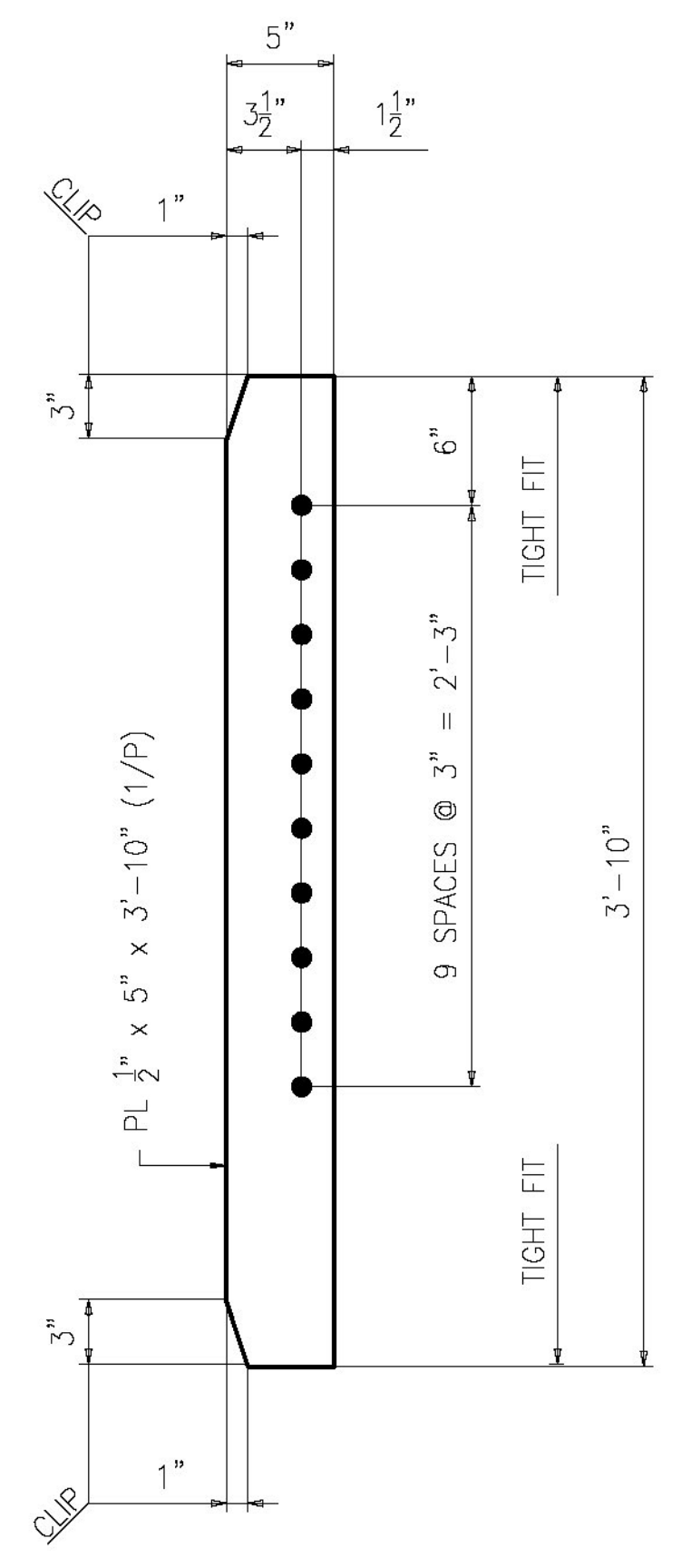


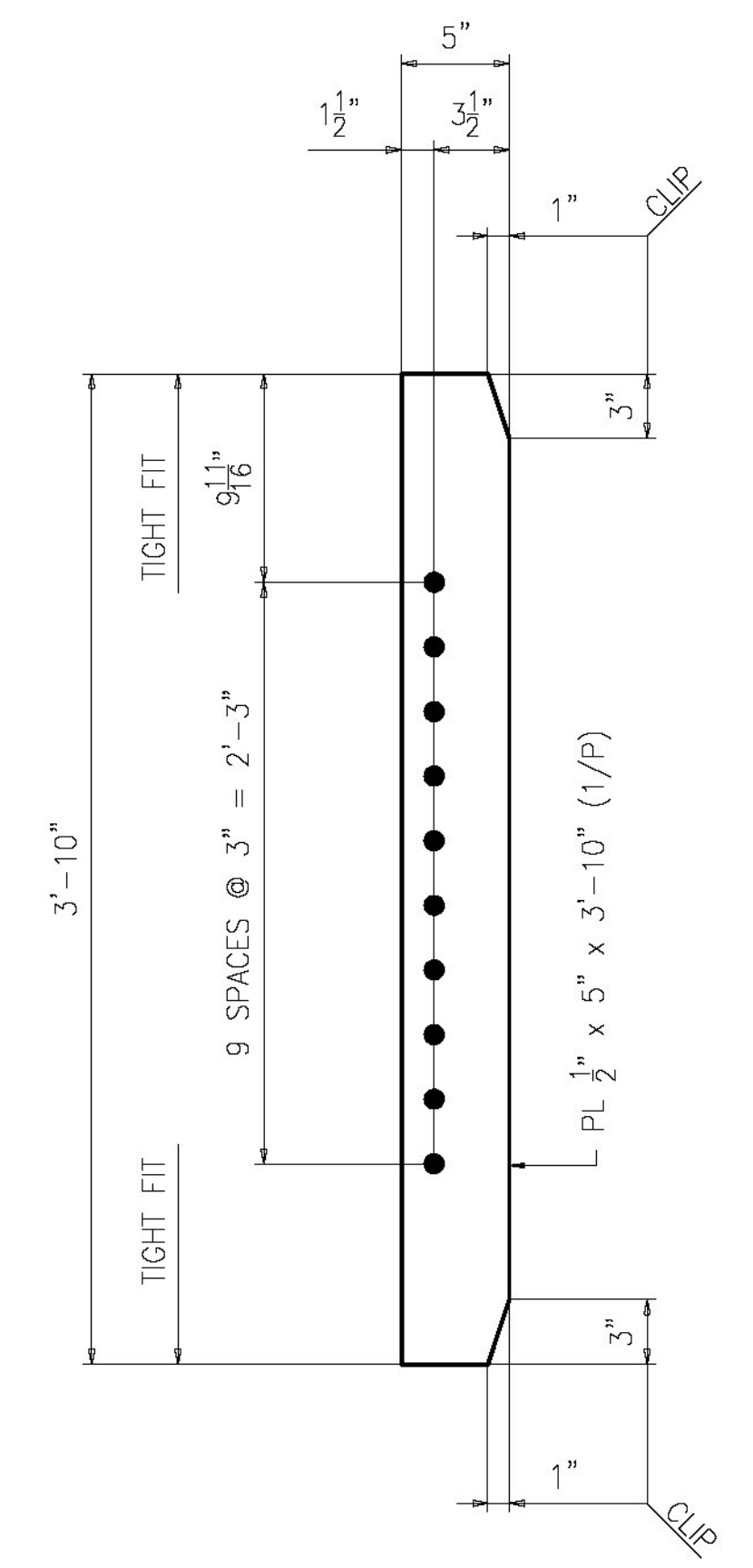
6 ~ BEARING STIFFENER ~ x1a



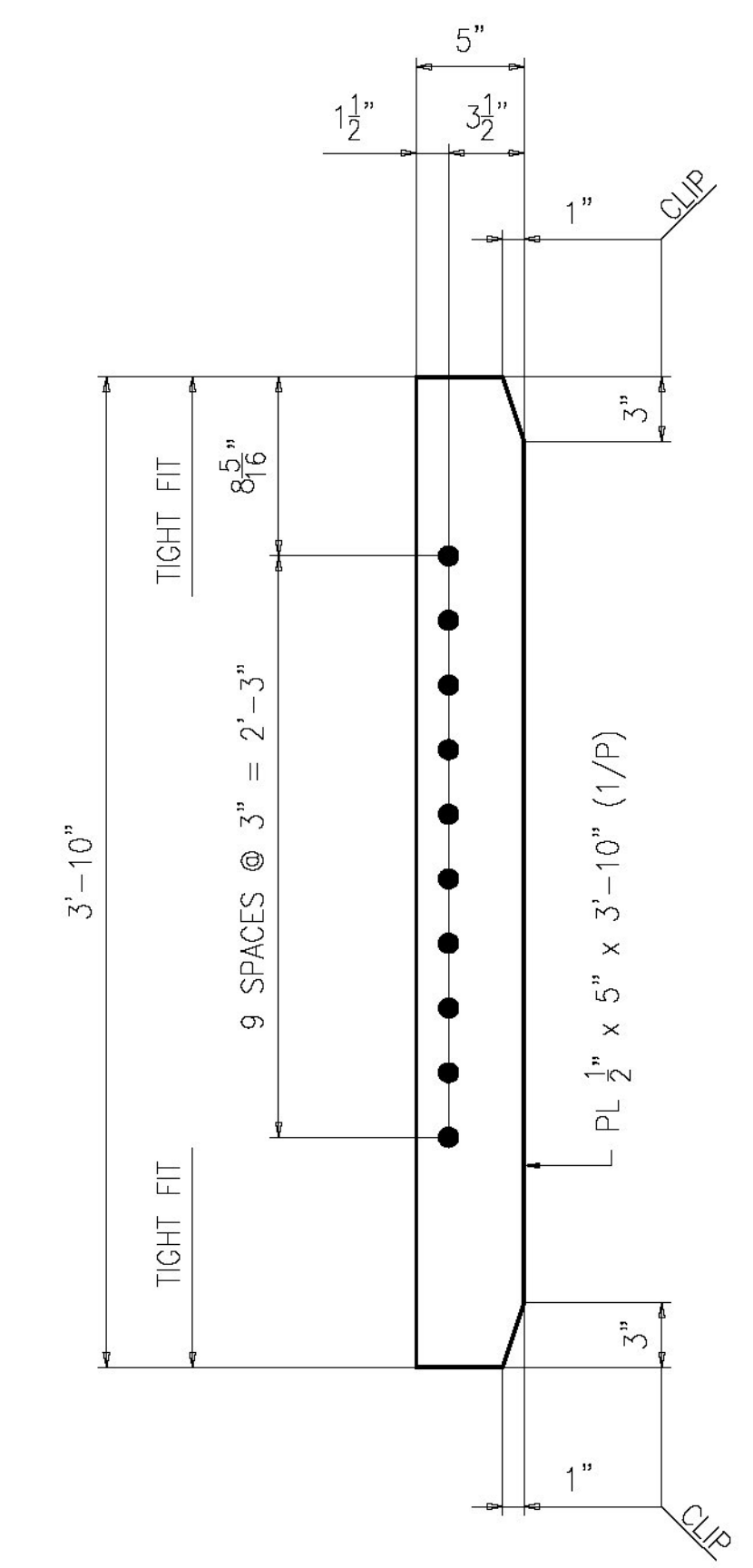
6 ~ BEARING STIFFENER ~ x1b



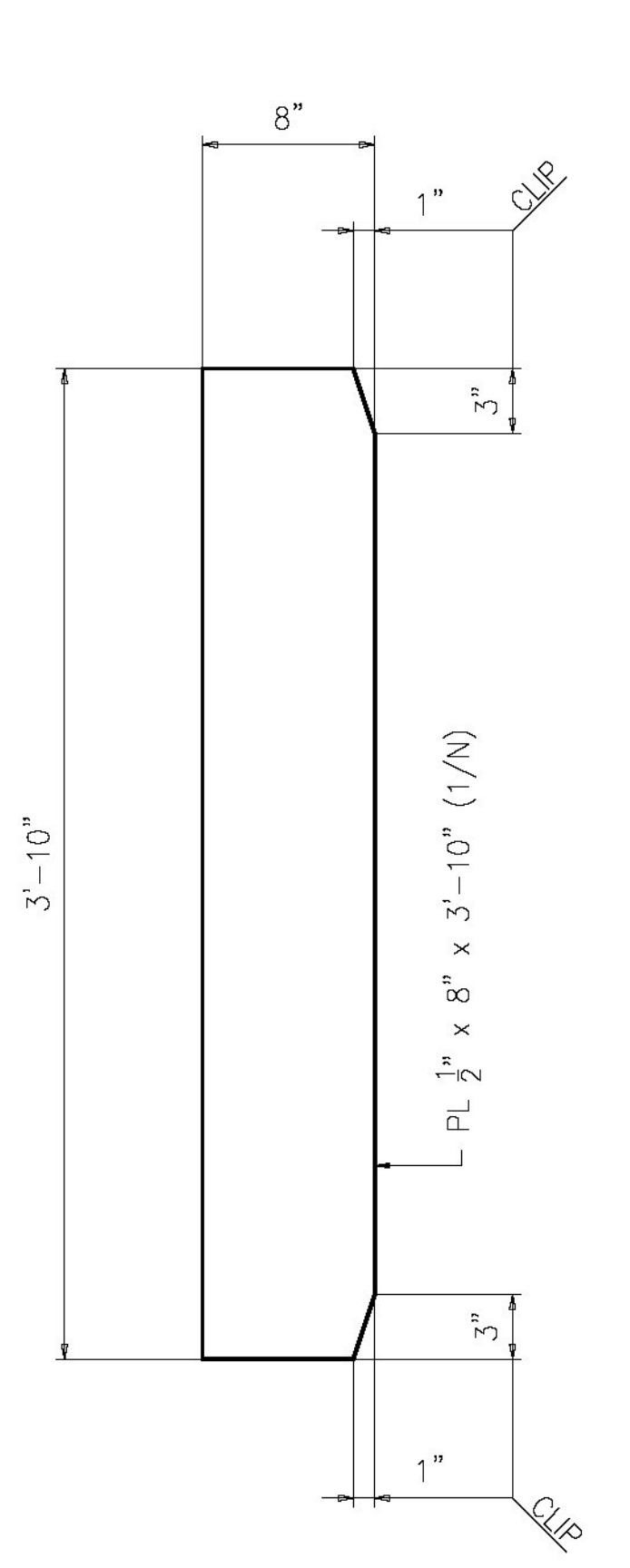
12 ~ INTERMEDIATE STIFFENER ~ x1c



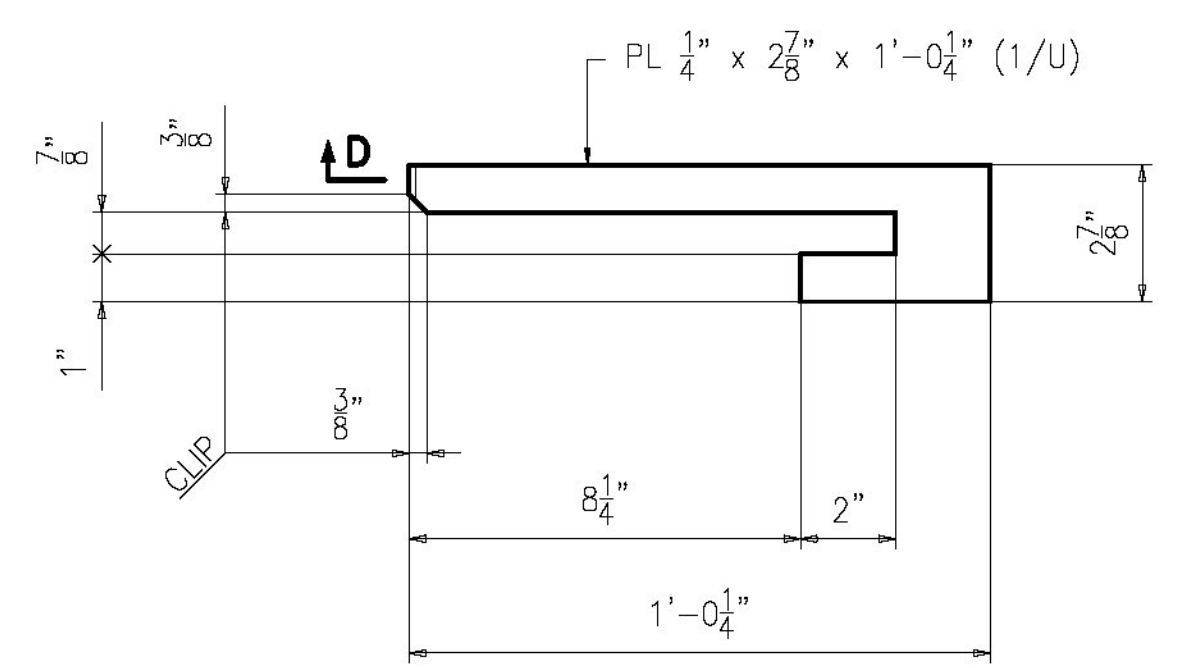
8 ~ INTERMEDIATE STIFFENER ~ x1d



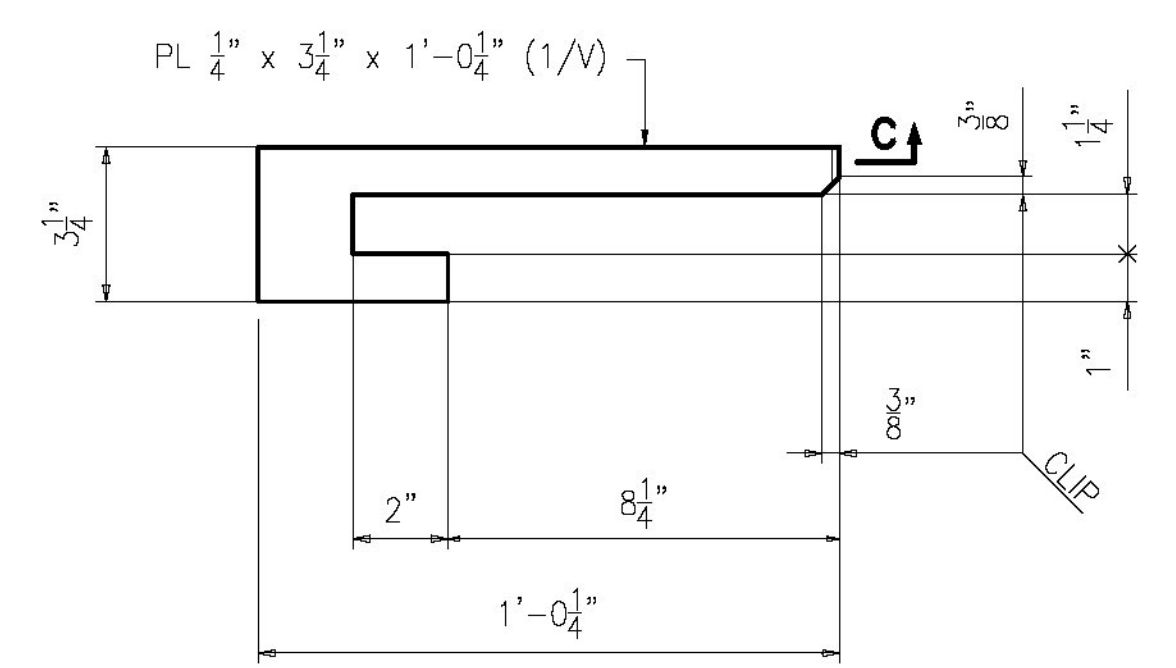
4 ~ INTERMEDIATE STIFFENER ~ x1f



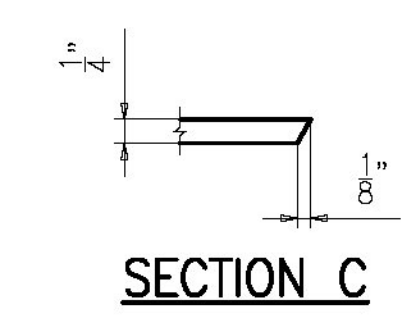
4 ~ BEARING STIFFENER ~ x1g



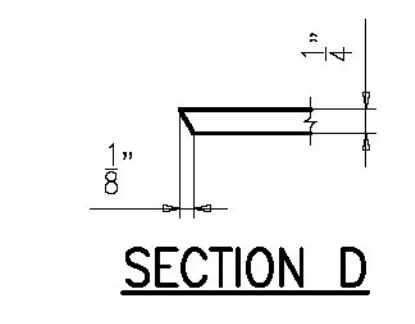
1 ~ DRIP PLATE ~ x1h



1 ~ DRIP PLATE ~ x1k



SECTION C



SECTION D

Vermont Agency of Transportation
RECEIVED
 CK'D BY FDB OK'D BY HIS
 June 10, 2015
 RESUBMIT No Approved
 BY Carolyn Carlson DATE 06/11/15

ENGINEERING REVIEW STAMP

NOTES:

1. FOR GENERAL NOTES SEE SHEET GN1.

REV.	DATE	REMARKS	DWN	CHK	APVL	SHOP
0						
MATERIAL: A709-50 U.N.			SURFACE PREP. & PAINT: SEE DWG GN1		HOLES: 15/16"ø	
DESCRIPTION: GIRDER STANDARD DETAILS			SHOP BOLTS: NONE			
CASCO BAY STEEL STRUCTURES, INC. 1 WALLACE AVE. SOUTH PORTLAND, ME 04106 FAX. (207) 780-6726 PHONE (207) 780-6722						
STRUCTURE: REPLACEMENT OF BRIDGE NO. 12 ON TH27 INCLUDING APPROACH ROADWAY AND CHANNEL WORK TOWN OF COLCHESTER, COUNTY OF CHITTENDEN STATE OF VERMONT AGENCY OF TRANSPORTATION			DRAWN: BK	DATE: 04/22		
LOCATION: COLCHESTER / CHITTENDEN, VT			CHKD: YT	DATE: 04/28		
PROJ NO. STP 5600(12)			JOB NO. 629-1		DWG NO. X1	
CUSTOMER: A.L. ST. ONCE			REV. 1		REV.	