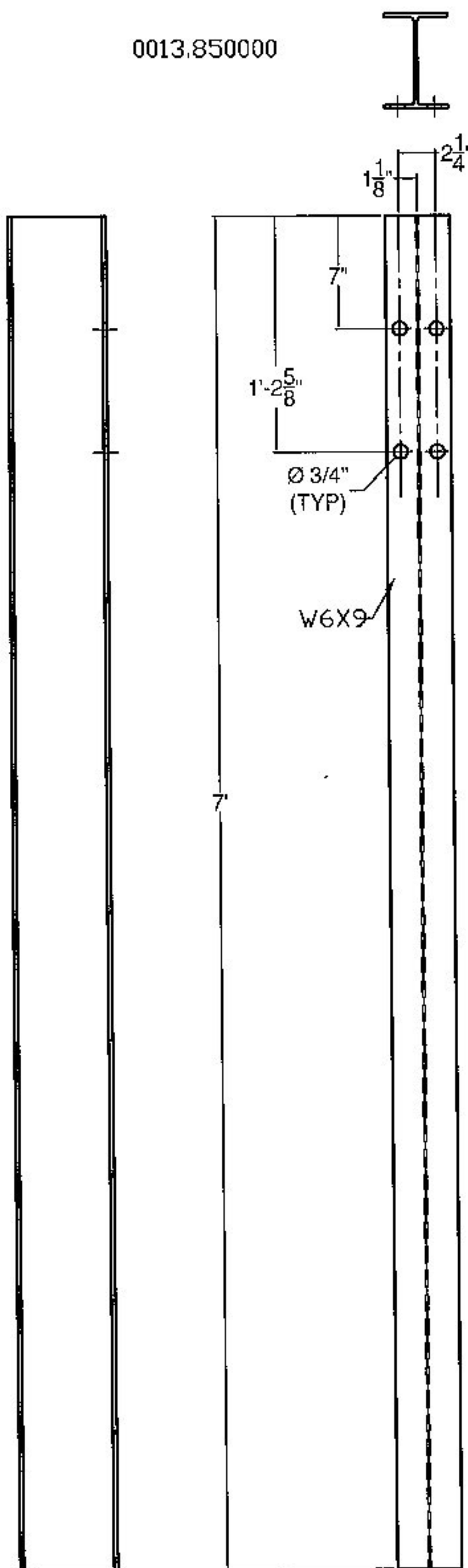
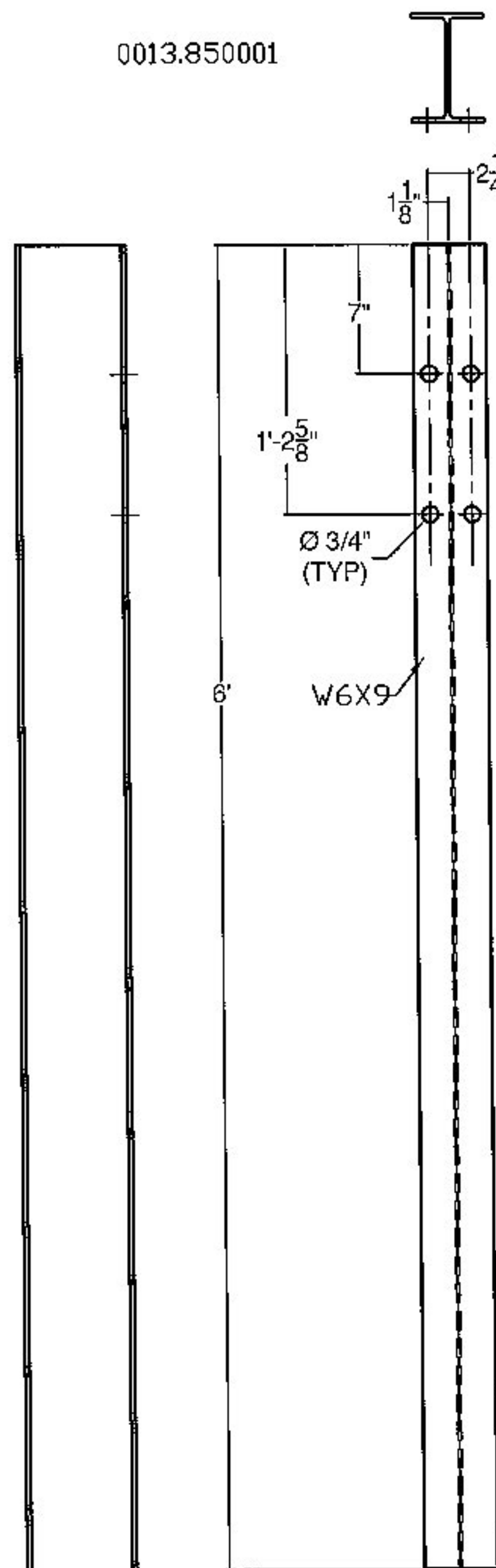


0013.850000



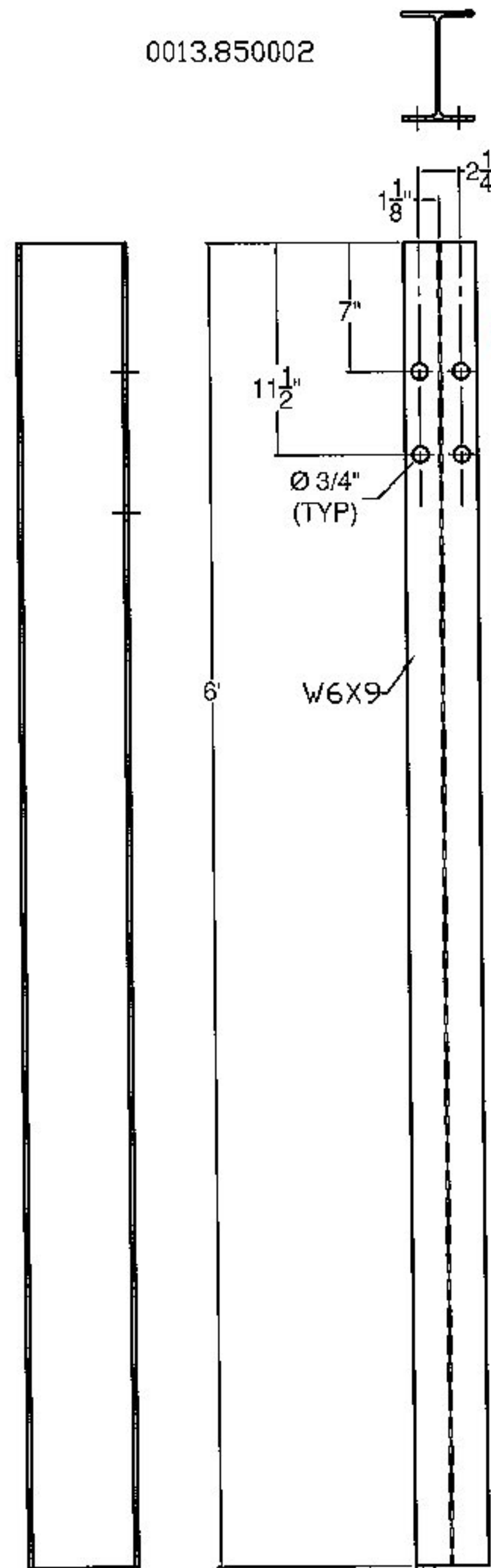
SIDE FRONT ONLY
POST 1~6

0013.850001



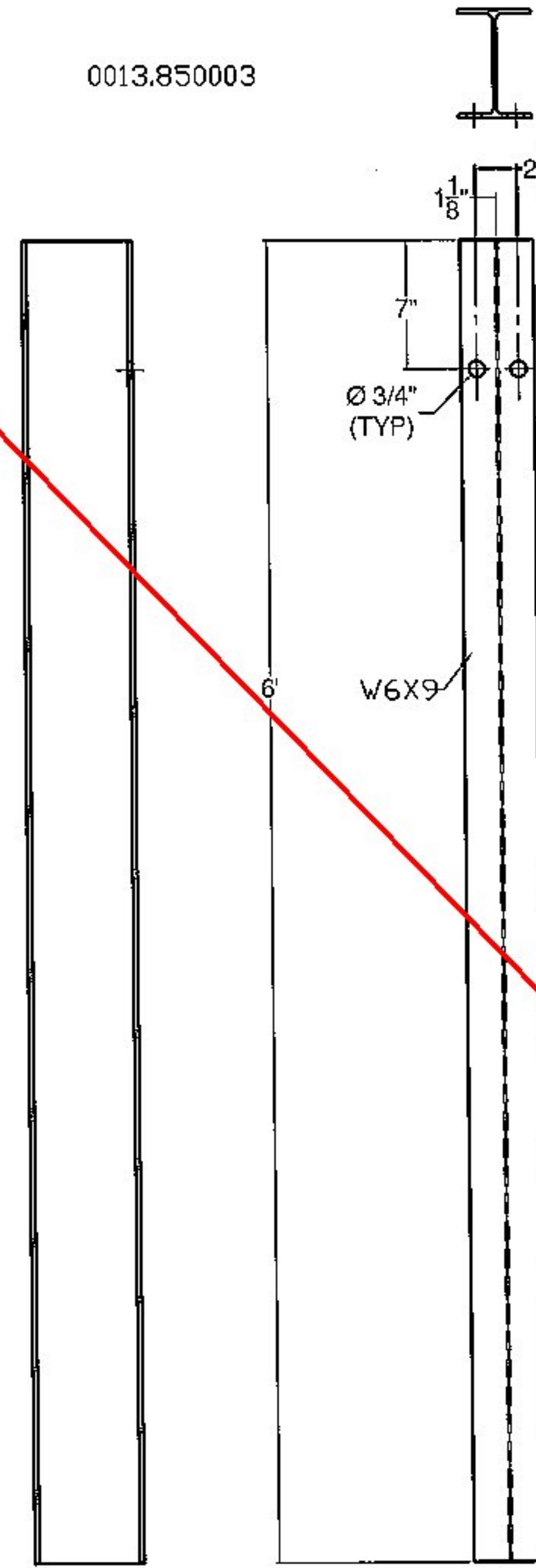
SIDE FRONT ONLY
POST 7

0013.850002

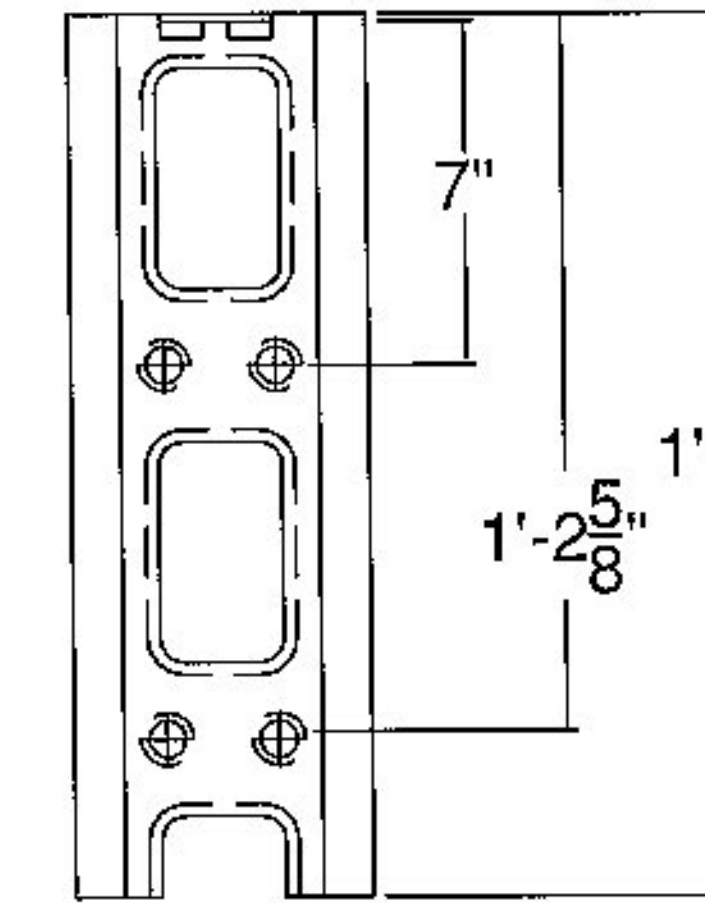
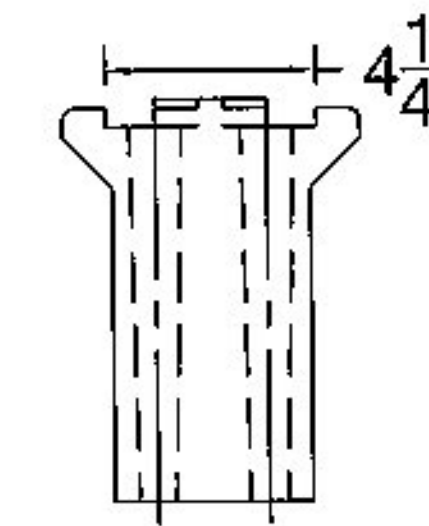


SIDE FRONT ONLY
POST 8

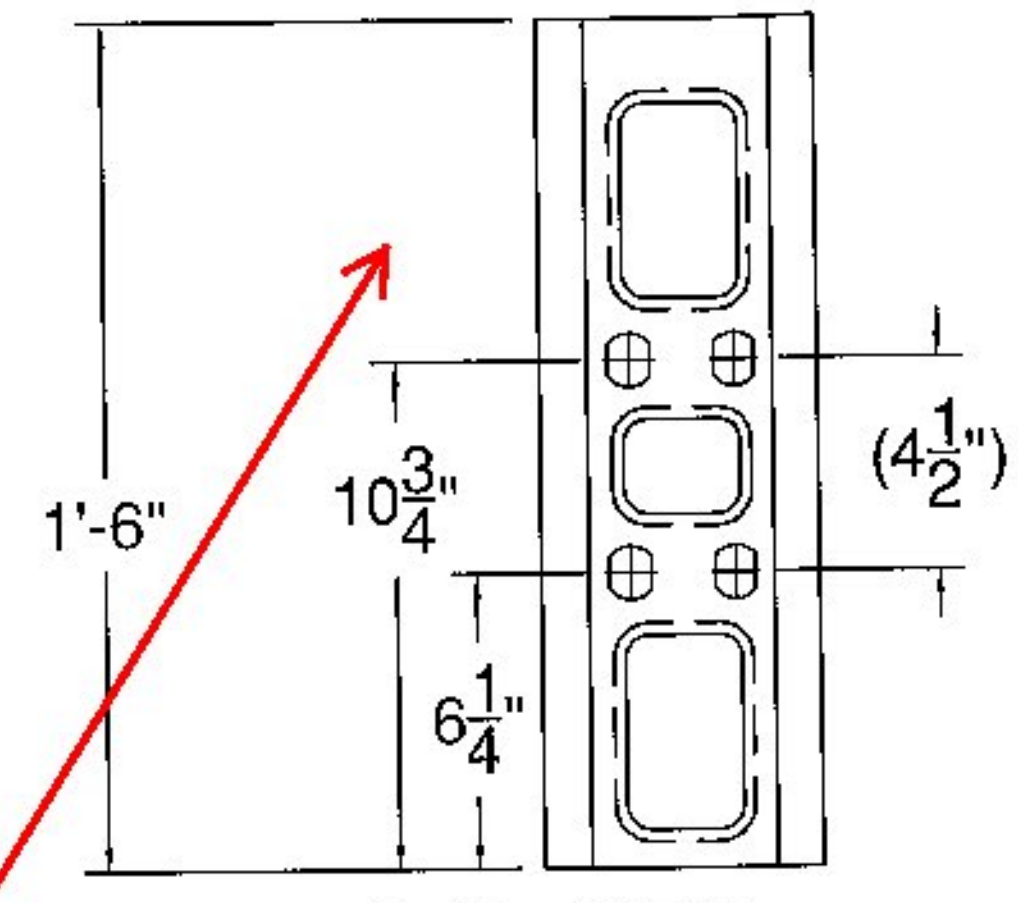
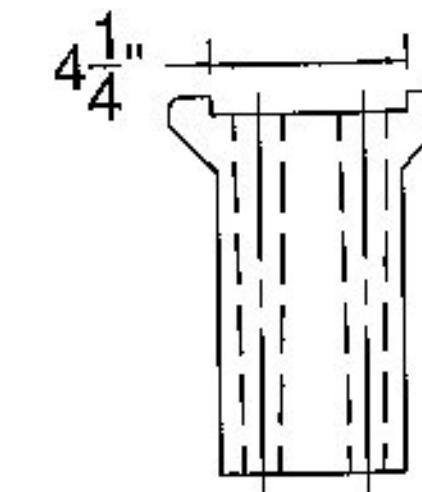
0013.850003



SIDE FRONT ONLY
POST 9

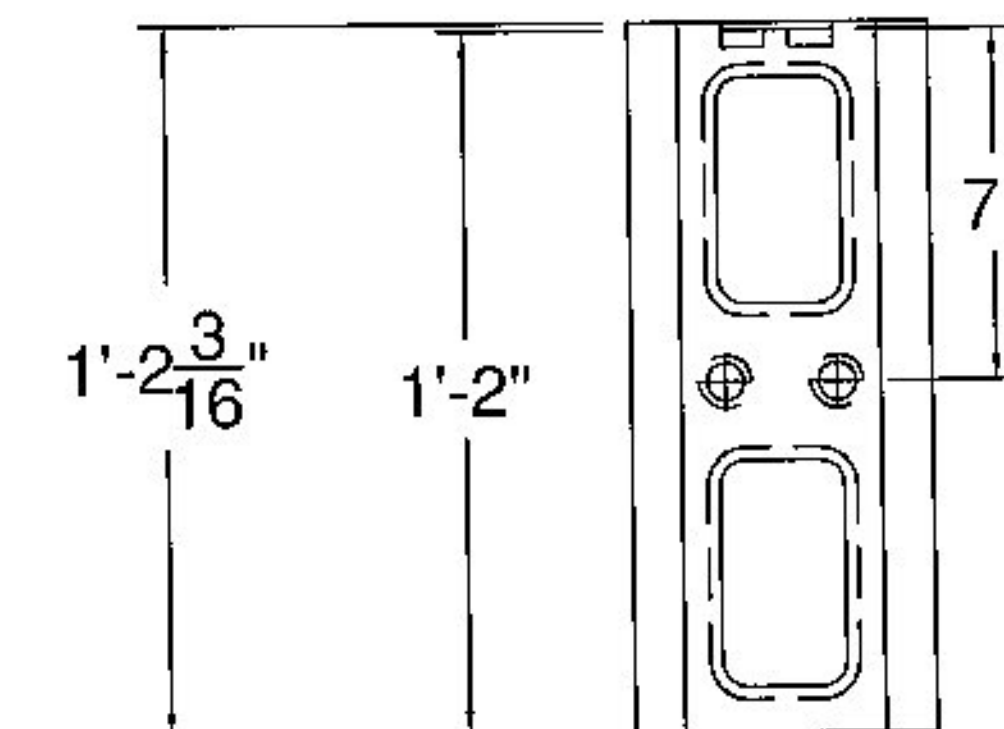
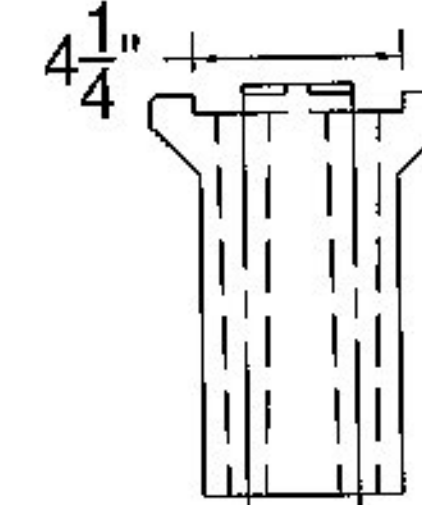


B/O FOR
POST 1~7



B/O FOR
POST 8

18" - 10.75" = 7.25"
This should be 7"
to match the post



B/O FOR
POST 9

SHEET 2 OF 2

Vermont Agency of Transportation

RECEIVED

CK'D BY FDB OK'D BY HIS

August 5, 2015

RESUBMIT No Approved AsNoted
BY Carolyn Carlson DATE 08/05/2015

ITEM #: 621.748

STRUCTURAL STEEL TO
COMPLY W/ ASTM A6

TOLERANCE UNLESS
OTHERWISE NOTED:
FRACTIONS = ± 1/16"
ANGLES = ± 1/2"
DIAMETERS = ± 1/32"

GUIDE RAIL TRANSITION DETAILS SHEET

T.H. 27 (URBAN COLLECTOR), BRIDGE # 12
TOWN OF COLCHESTER, CHITTENDEN COUNTY

R NO.	DATE	DESCRIPTION	BY	R NO.	DATE	DESCRIPTION	BY
E				E			
V				V			

ELDERLEE, INC.	DRAWN	E.P.	4/9/15
OAKS CORNERS, NEW YORK 14518	CHECKED	D.L.	
E-Mail: dlong@elderlee.com / epeek@elderlee.com	APPROVED		
Tel: 315-789-6670 Fax: 315-789-6615	SCALE	SCHMATIC	
	DRAWING NO.	FR L - COLCHESTER	