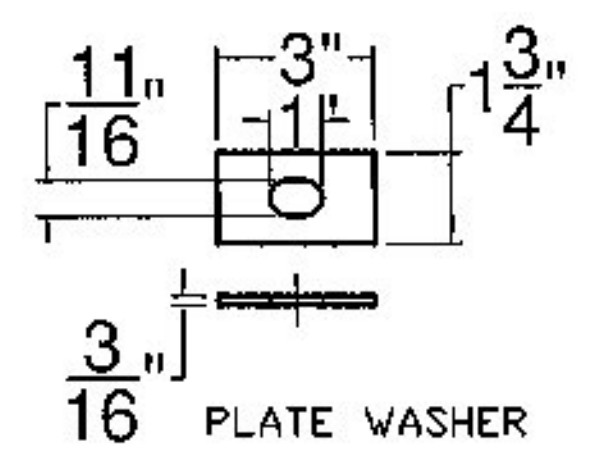


BILL OF MATERIAL (EACH CORNER)

ITEM #	QTY	PART #	DESCRIPTION	ASTM DESIGNATION
1	6	0013.850000	W6X9 POST @ 7' (POST 1~6)	A36
2	1	0013.850001	W6X9 POST @ 6' (POST 7)	A36
3	1	0013.850002	W6X9 POST @ 6' (POST 8)	A36
4	1	0013.850003	W6X9 POST @ 6' (POST 9)	A36
5	7	0009.00006	6X8" BLOCKOUT @ 18" (FOR POST 1~7)	POLY
6	1	0009.00007	6X8" BLOCKOUT @ 18" (FOR POST 8)	POLY
7	1	0009.00005	6X8" BLOCKOUT @ 14" (FOR POST 9)	POLY
8	1	5143.40056	12'-6" THRIE BEAM END TERMINAL, 10 Ga.	AASHTO M180
9	2	5029.00016	THRIE BEAM W/ 1'-6 3/4" C-C, 12 Ga.	AASHTO M180
10	1	6029.01133	12'-6" THRIE BEAM TO 'W' PANEL, 10 Ga.	AASHTO M180
11	5	T.B.D.	Ø 3/4" X 12" SLOTTED, ROUND HEAD BOLT, NUT, F.W., & L.W.	SUPPLIED BY OTHERS
12	24	0080.05020	Ø 5/8" X 1-1/4" SPLICE BOLT/RECESSED NUT (PANEL ASS'Y)	A307
13	17	0080.05720	Ø 5/8" X 10" CARRIAGE BOLT, LW, FW, & NUT	A307



Vermont Agency of Transportation
RECEIVED
 CK'D BY FDB OK'D BY HIS
 August 5, 2015
 RESUBMIT No Approved
 BY Carolyn Carlson DATE 05/08/05

ITEM #: 621.748
 STRUCTURAL STEEL TO COMPLY W/ ASTM A6
 TOLERANCE UNLESS OTHERWISE NOTED:
 FRACTIONS = ± 1/16"
 ANGLES = ± 1/2"
 DIAMETERS = ± 1/32"

SHEET 1 OF 2

GUIDE RAIL TRANSITION DETAILS SHEET
 T.H. 27 (URBAN COLLECTOR), BRIDGE # 12
 TOWN OF COLCHESTER, CHITTENDEN COUNTY

R NO.	DATE	DESCRIPTION	BY	R NO.	DATE	DESCRIPTION	BY

DRAWN E.P. 4/9/15
 CHECKED D.L.
 APPROVED
 SCALE SCHEMATIC
 DRAWING NO. FRL - COLCHESTER

ELDERLEE, INC.
 OAKS CORNERS, NEW YORK 14578
 E-Mail: dlong@elderlee.com / epeek@elderlee.com
 Tel: 315-789-6670 Fax: 315-789-6615