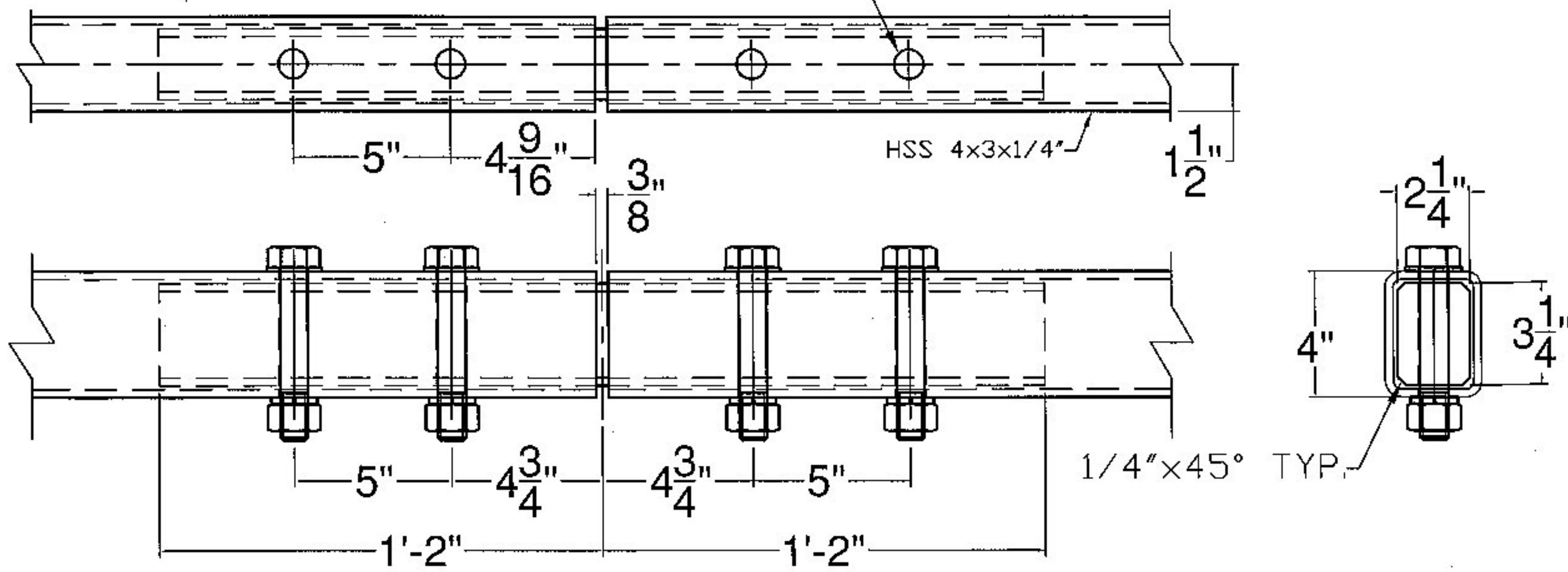


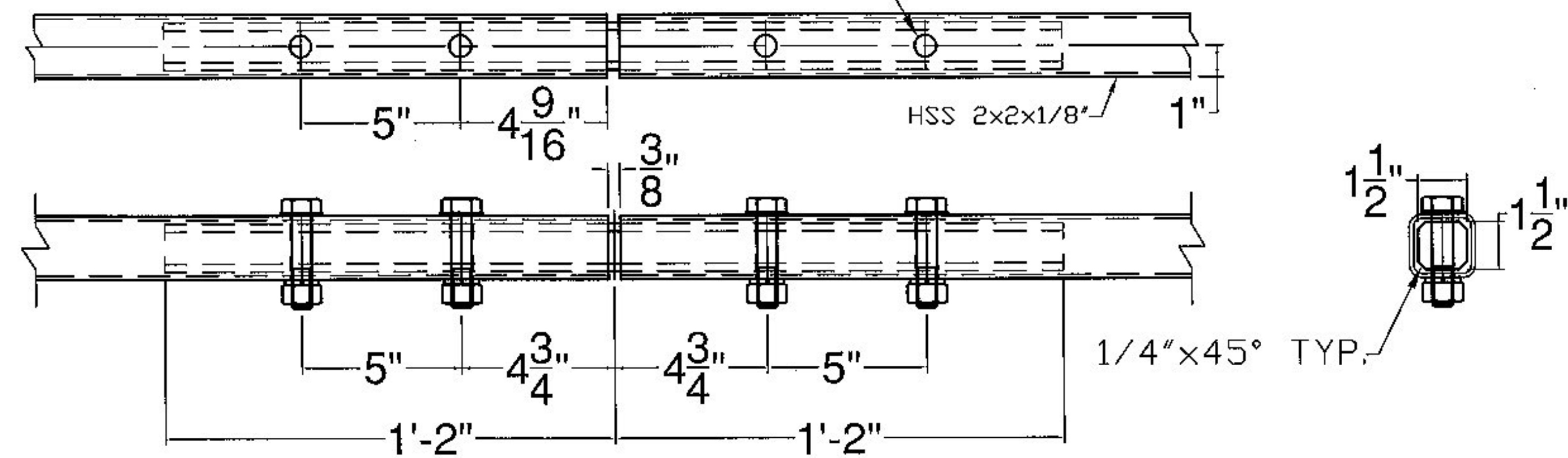
Ø15/16" THRU TUBE & SPLICE BAR,
 Ø7/8"X5 1/2" HEX BOLT & NUT,
 W/ (1) PLAIN HARDENED WASHER &
 (1) LOCK WASHER (4 PLACES)

TOP RAIL FIXED SPLICE DETAIL



Ø11/16" THRU TUBE & SPLICE BAR,
 Ø5/8"X3" HEX BOLT & NUT,
 W/ (1) PLAIN HARDENED WASHER &
 (1) LOCK WASHER (4 PLACES)

BOTTOM RAIL FIXED SPLICE DETAIL



Vermont Agency of Transportation

RECEIVED

CK'D BY FDB OK'D BY HIS

August 5, 2015

RESUBMIT No Approved
 BY Carolyn Carlson DATE 05/08/05

ITEM #: 525.45

STRUCTURAL STEEL TO
 COMPLY W/ ASTM A6

TOLERANCE UNLESS
 OTHERWISE NOTED:
 FRACTIONS = ± 1/16"
 ANGLES = ± 1/2°
 DIAMETERS = ± 1/32"

SHEET 6 OF 6

BRIDGE RAIL DETAILS SHEET

T.H. 27 (URBAN COLLECTOR), BRIDGE # 12
 TOWN OF COLCHESTER, CHITTENDEN COUNTY

| R NO. | DATE | DESCRIPTION | BY | R NO. | DATE | DESCRIPTION | BY |
|-------|---------|----------------------------|------|-------|------|-------------|----|
| E 1 | 4/27/15 | REVISE PER 4/22/15 MARK-UP | E.P. | | | | |

| | | |
|-------------------------------|-----------|--------|
| DRAWN | E.P. | 4/9/15 |
| CHECKED | D.L. | 4/9/15 |
| APPROVED | | |
| SCALE | SCHEMATIC | |
| DRAWING NO. FILL - COLCHESTER | | |

ELDERLEE, INC.
 OAKS CORNERS, NEW YORK 14518
 E-Mail: dlong@elderlee.com / epeek@elderlee.com
 Tel: 315-789-6670 Fax: 315-789-6615