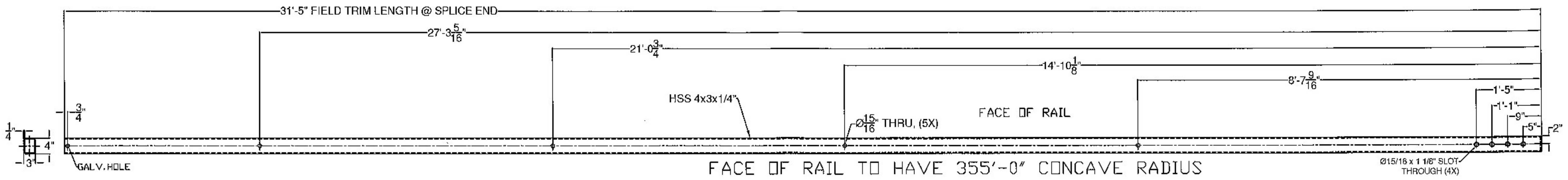
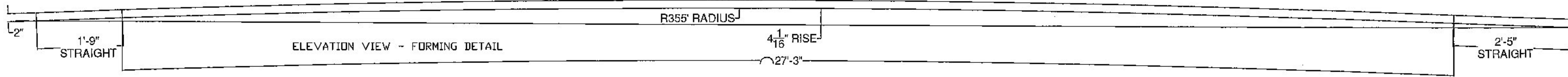


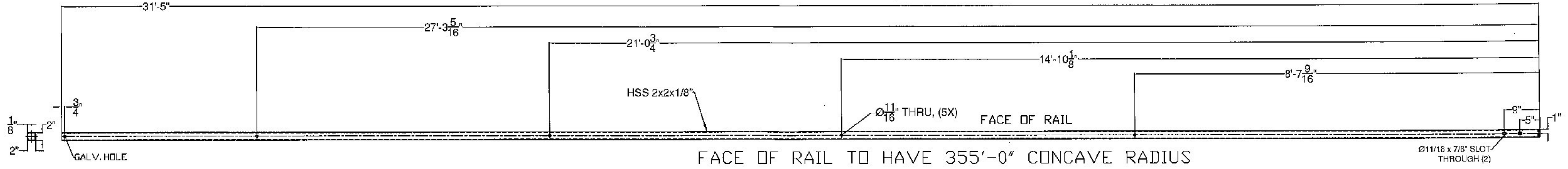
INSTALL END OF RAIL CAP



FACE OF RAIL TO HAVE 355'-0" CONCAVE RADIUS



INSTALL END OF RAIL CAP



FACE OF RAIL TO HAVE 355'-0" CONCAVE RADIUS

Vermont Agency of Transportation

**RECEIVED**

CK'D BY FDB OK'D BY HIS

August 5, 2015

RESUBMIT No **Approved**

BY Carolyn Carlson DATE 05/08/05

ITEM #: 525.45

STRUCTURAL STEEL TO COMPLY W/ ASTM A6

TOLERANCE UNLESS OTHERWISE NOTED:  
 FRACTIONS = ± 1/16"  
 ANGLES = ± 1/2"  
 DIAMETERS = ± 1/32"

SHEET 3 OF 6

**BRIDGE RAIL DETAILS SHEET**

T.H. 27 (URBAN COLLECTOR), BRIDGE # 12

TOWN OF COLCHESTER, CHITTENDEN COUNTY

R NO.	DATE	DESCRIPTION	BY	R NO.	DATE	DESCRIPTION	BY
E 1	4/27/15	REVISE PER 4/22/15 MARK-UP	E.P.				

**ELDERLEE, INC.**  
 OAKS CORNERS, NEW YORK 14578  
 E-Mail: [dlong@elderlee.com](mailto:dlong@elderlee.com) / [epet@elderlee.com](mailto:epet@elderlee.com)  
 Tel: 315-789-6670 Fax: 315-789-6615

DRAWN	E.P.	4/9/15
CHECKED	D.L.	4/9/15
APPROVED		
SCALE	SCHEMATIC	
DRAWING NO.	FRL - COLCHESTER	