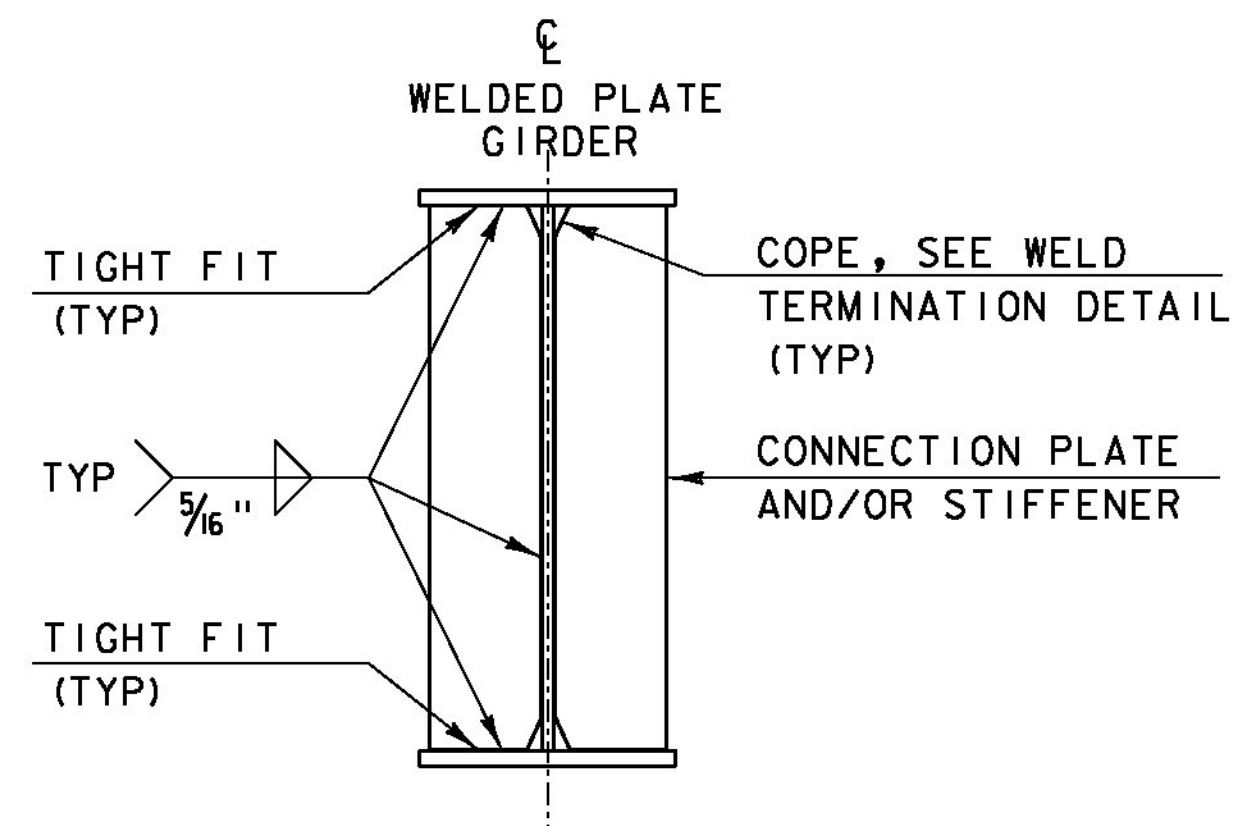


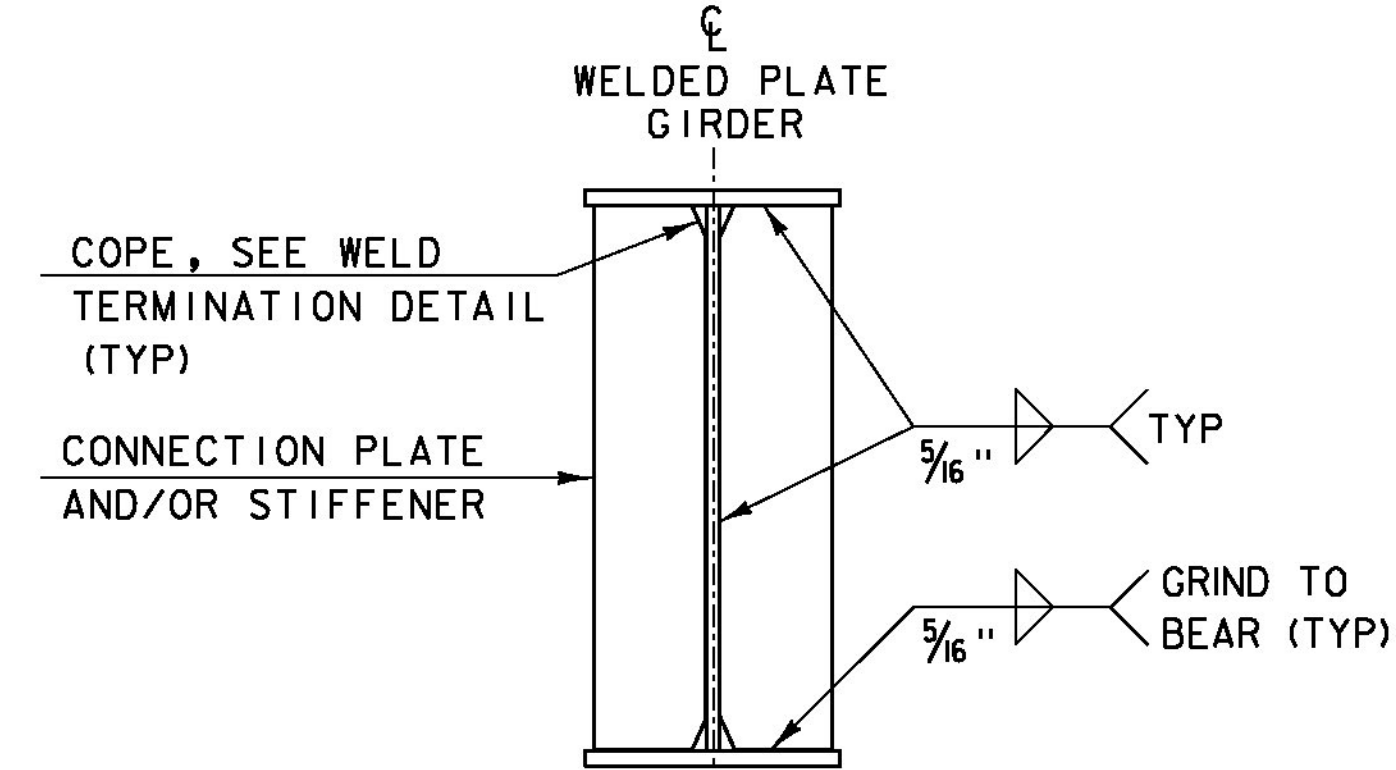
**WELD TERMINATION AND COPING  
DETAILS FOR STEEL MEMBERS**

\*NO WELD FOR 3/8" MIN. 7/8" MAX. (EXCEPT MUST MAINTAIN 1" MINIMUM FROM EDGE OF FLANGE)

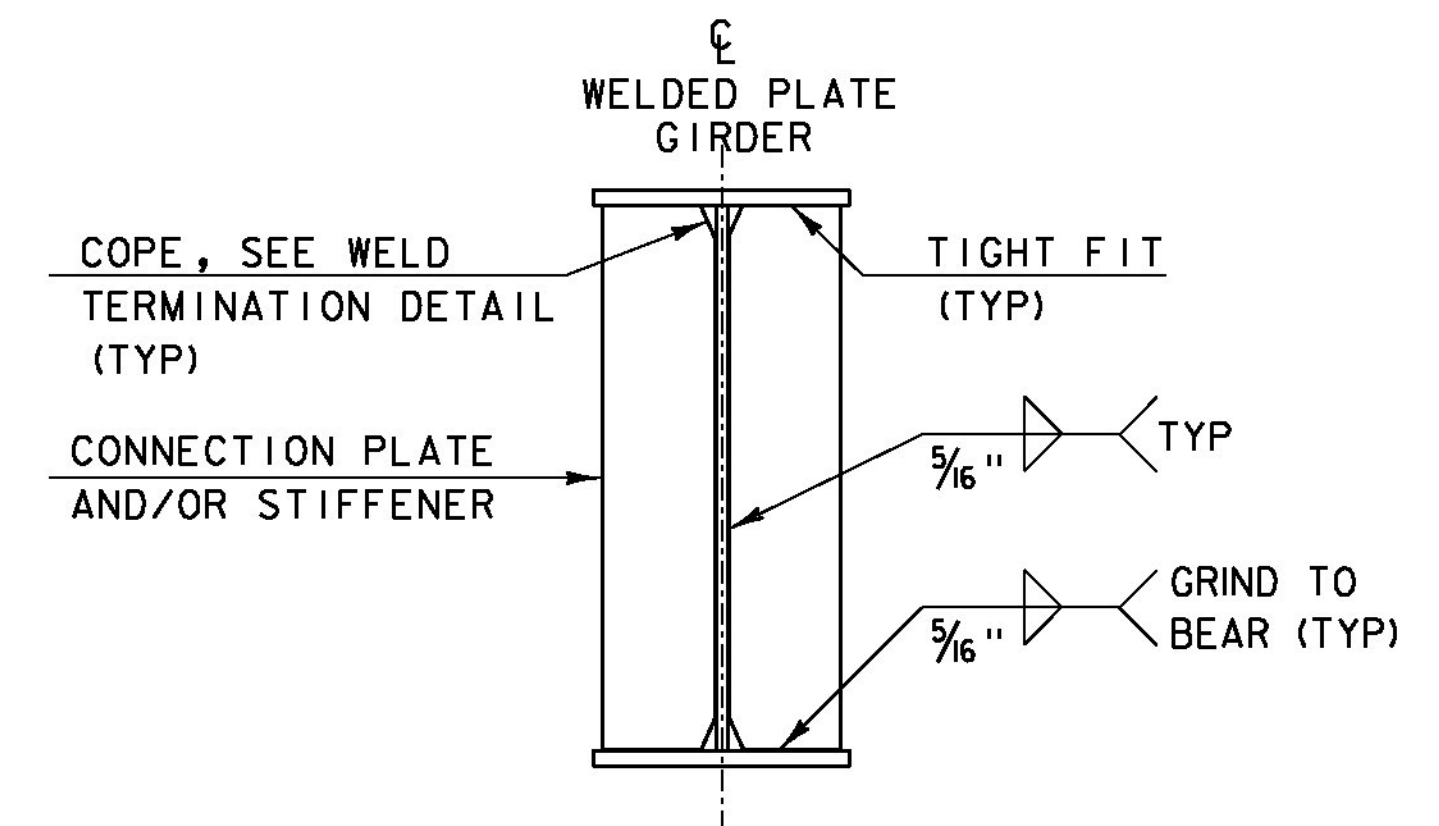


**INTERMEDIATE CONNECTION PLATES  
AND/OR STIFFENERS FOR WELDED  
PLATE GIRDERS**

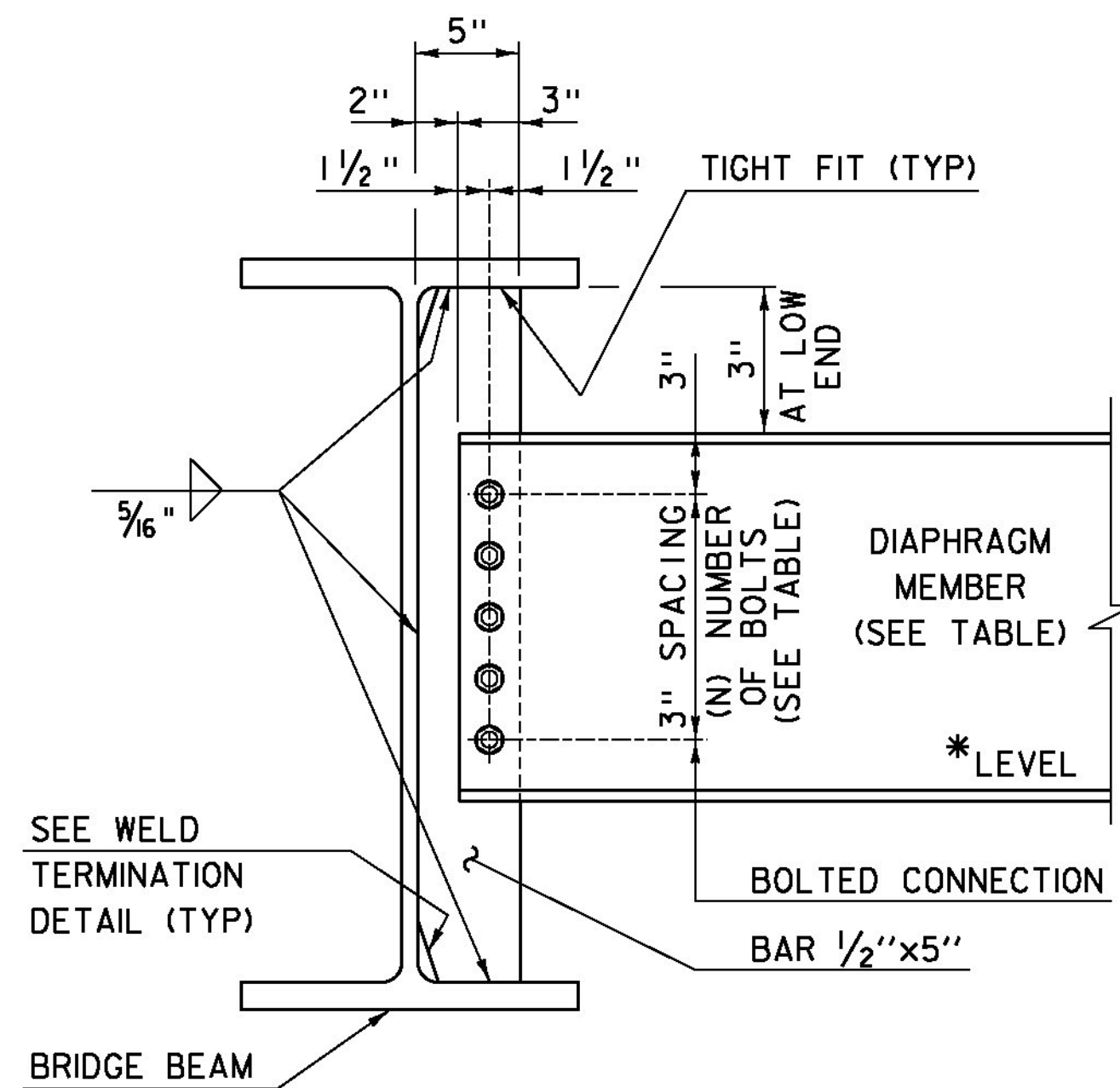
INTERMEDIATE DETAIL IS ONLY USED WHEN PLATE DOES NOT OCCUR AT AN ABUTMENT OR PIER.



**ABUTMENT BEARING STIFFENERS  
AND/OR CONNECTION PLATES  
FOR WELDED PLATE GIRDERS**



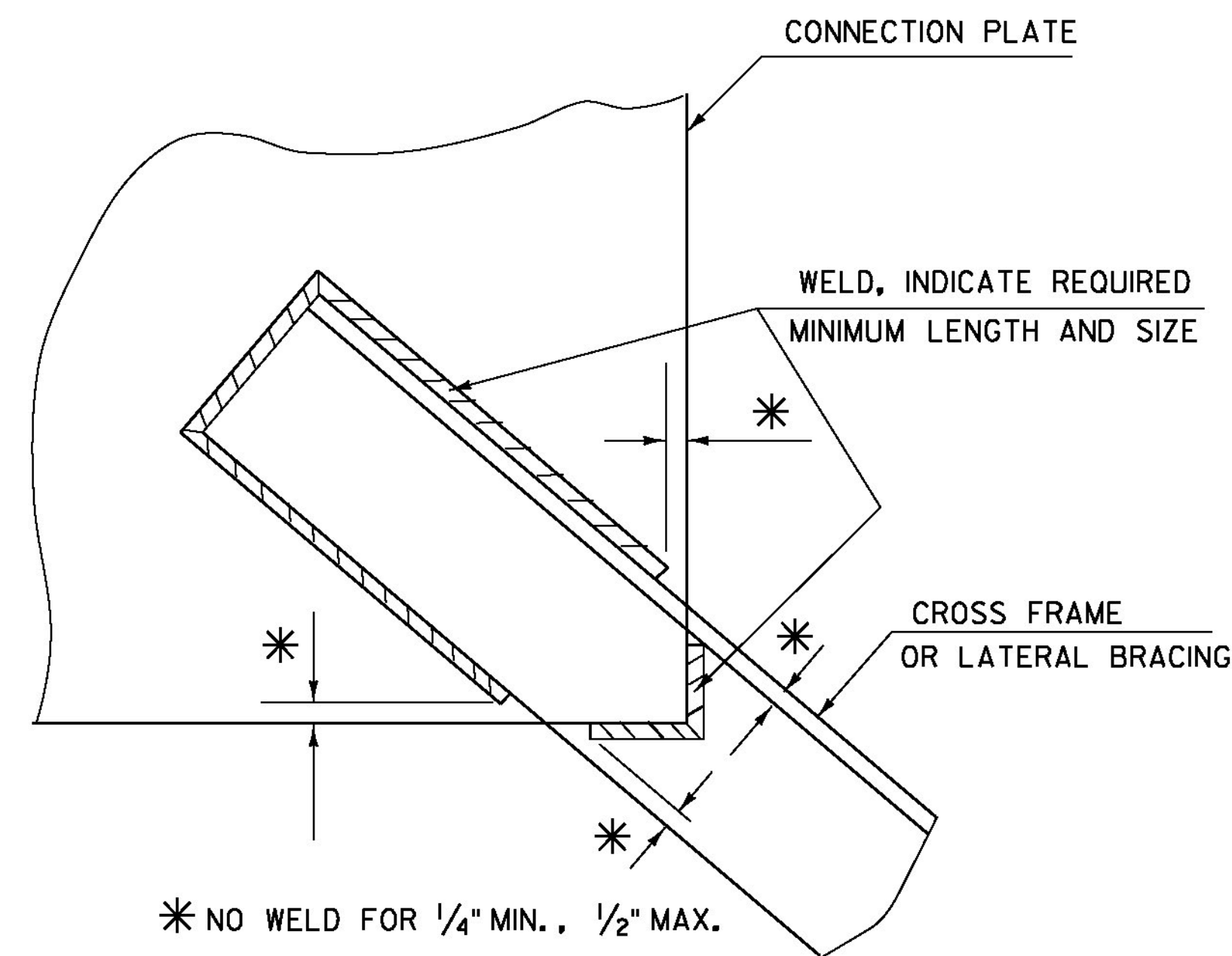
**PIER BEARING STIFFENERS  
AND/OR CONNECTION PLATES  
FOR WELDED PLATE GIRDERS**



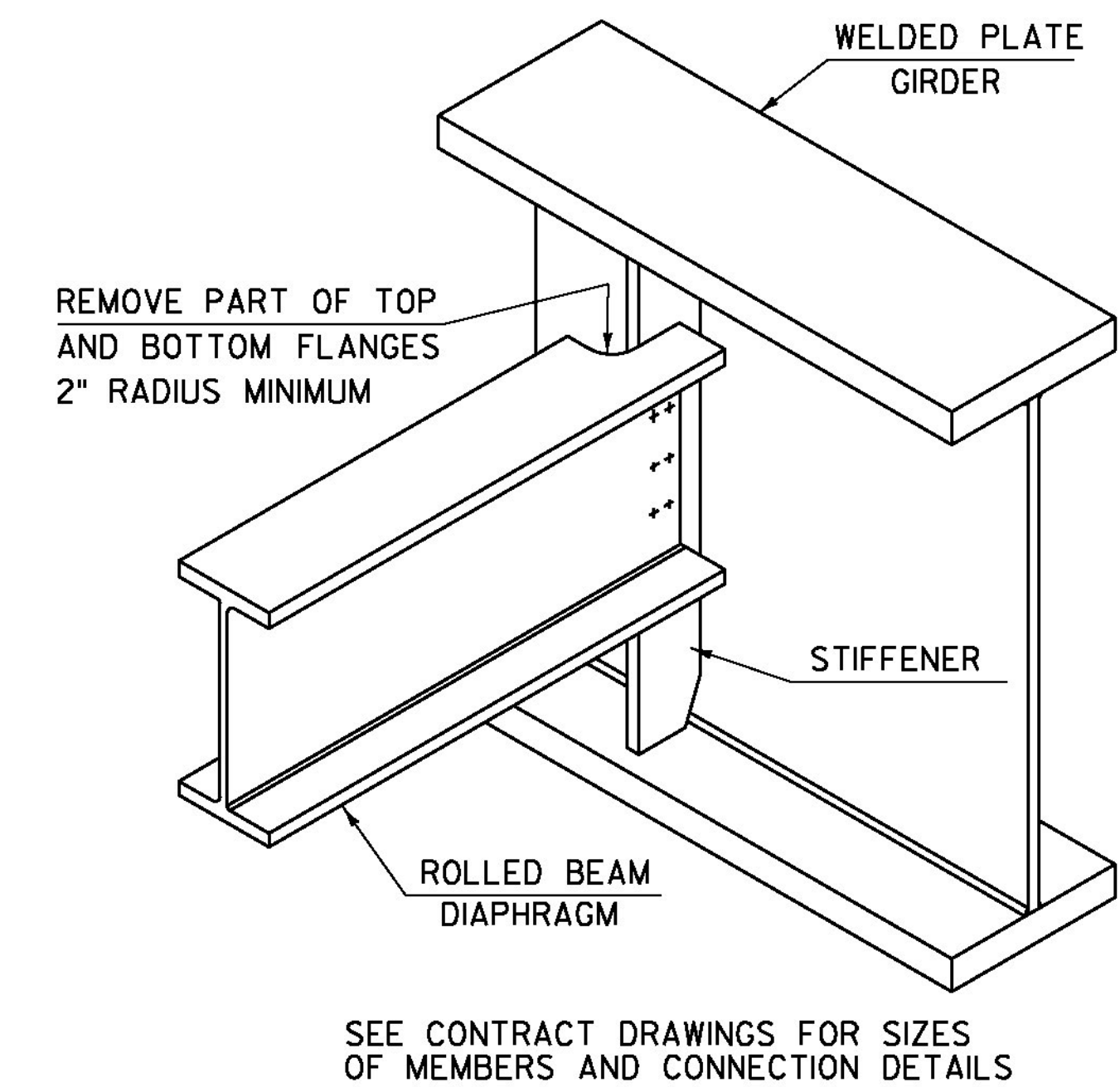
**INTERMEDIATE DIAPHRAGMS  
FOR 24" TO 48" BRIDGE BEAMS**

\*IF CLEARANCE CANNOT BE MET, DIAPHRAGM MAY BE SLOPED.

|                  | DEPTH | DIAPHRAGM MEMBER | (N) BOLTS |
|------------------|-------|------------------|-----------|
| ROLLED BEAM      | 24"   | C15x33.9         | 4         |
|                  | 30"   |                  |           |
|                  | 31"   | MC18x42.7        | 5         |
|                  | 36"   |                  |           |
| PLATE GIRDER WEB | 37"   | W21x44           | 6         |
|                  | 42"   |                  |           |
| PLATE GIRDER WEB | 31"   | W27x84           | 7         |
|                  | 36"   |                  |           |
|                  | 37"   | W33x118          | 9         |
|                  | 42"   |                  |           |
|                  | 43"   | W36x135          | 10        |
|                  | 48"   |                  |           |



**WELD LOCATION DETAIL AT CROSS  
FRAMES AND LATERAL BRACING**

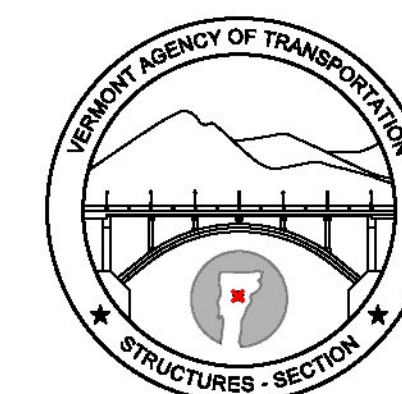


**ROLLED BEAM USED AS DIAPHRAGM**

DETAILS ON THIS SHEET ARE "NOT TO SCALE" UNLESS NOTED OTHERWISE.

| REVISIONS   |  |
|-------------|--|
| MAY 7, 2010 | APPROVED FOR USE BY VAOT STRUCTURES SECTION                |
| MAY 2, 2011 | ADD INTERMEDIATE DIAPHRAGMS DETAIL & ADD NOT TO SCALE NOTE |
|             |  |
|             |  |
|             |  |
|             |  |

# STRUCTURAL STEEL PLATE GIRDER DETAILS AND NOTES



**STRUCTURES  
DETAIL  
SD-602.00**