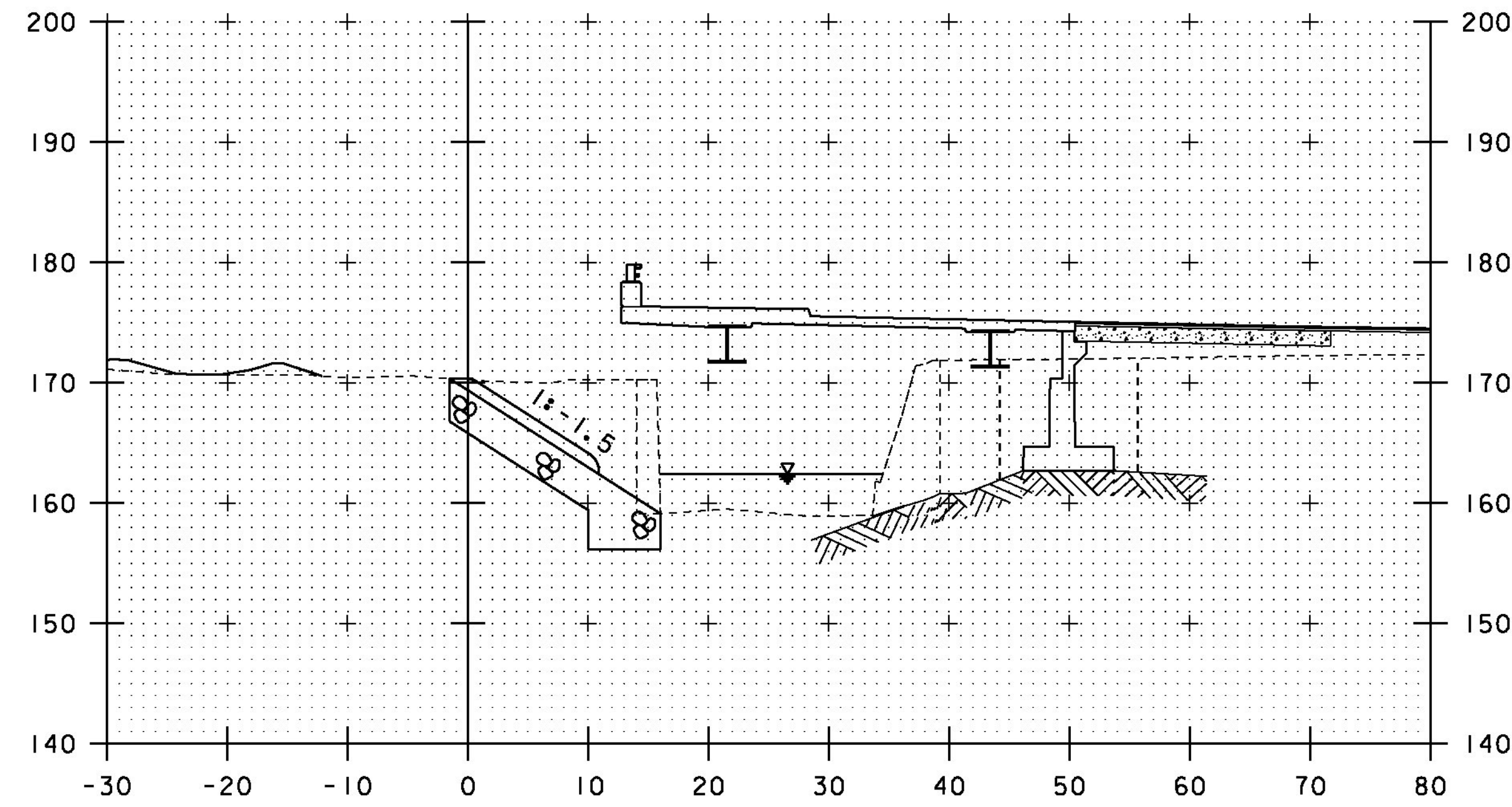


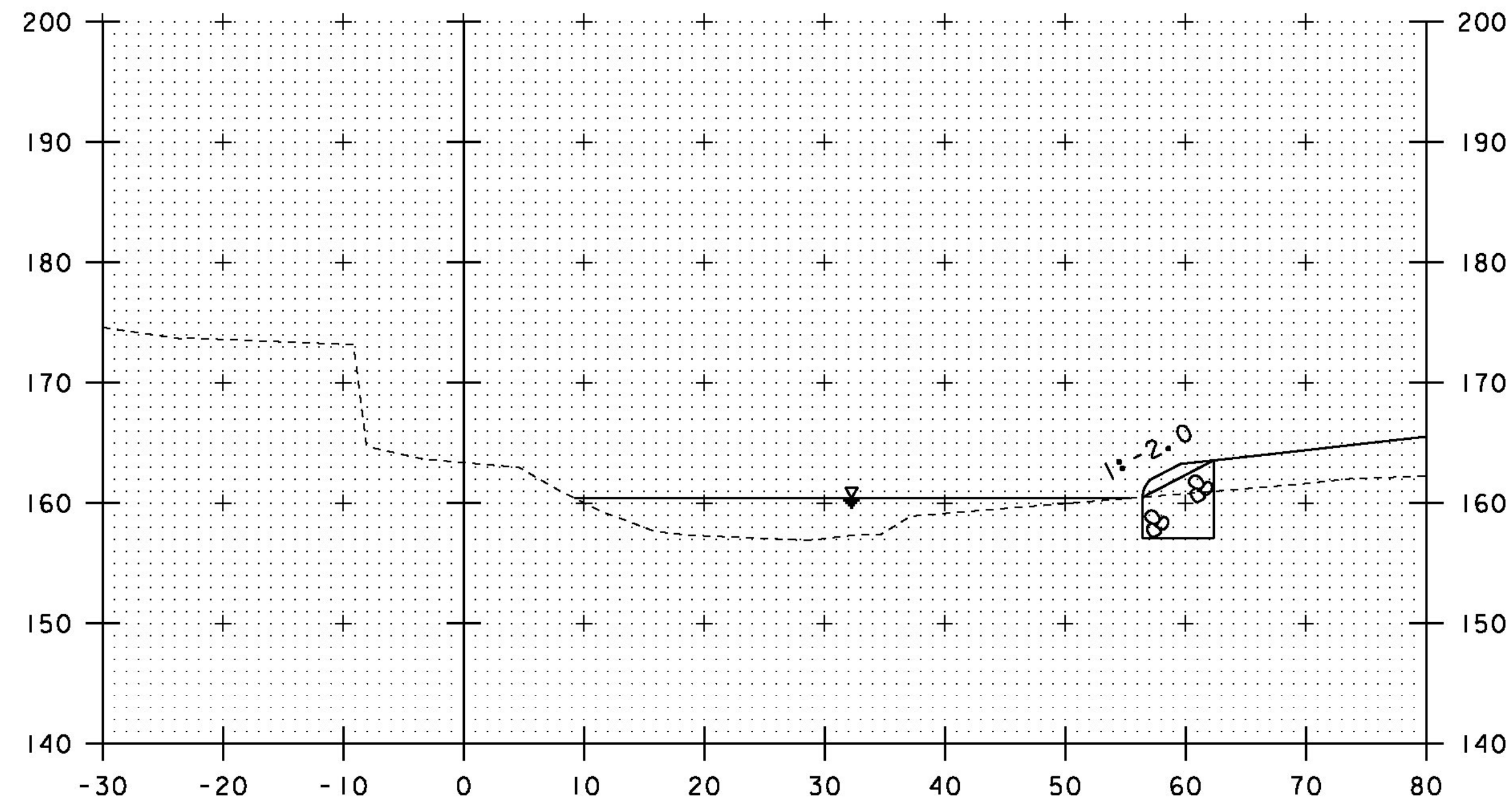
STA. 20+94.32 END ITEMS LT  
 UNCLASSIFIED CHANNEL EXCAVATION  
 STONE FILL, TYPE III  
 GEOTEXTILE UNDER STONE FILL  
 GRUBBING MATERIAL

STA. 20+81.30 BEGIN ITEMS RT  
 UNCLASSIFIED CHANNEL EXCAVATION  
 STONE FILL, TYPE III  
 GEOTEXTILE UNDER STONE FILL  
 GRUBBING MATERIAL

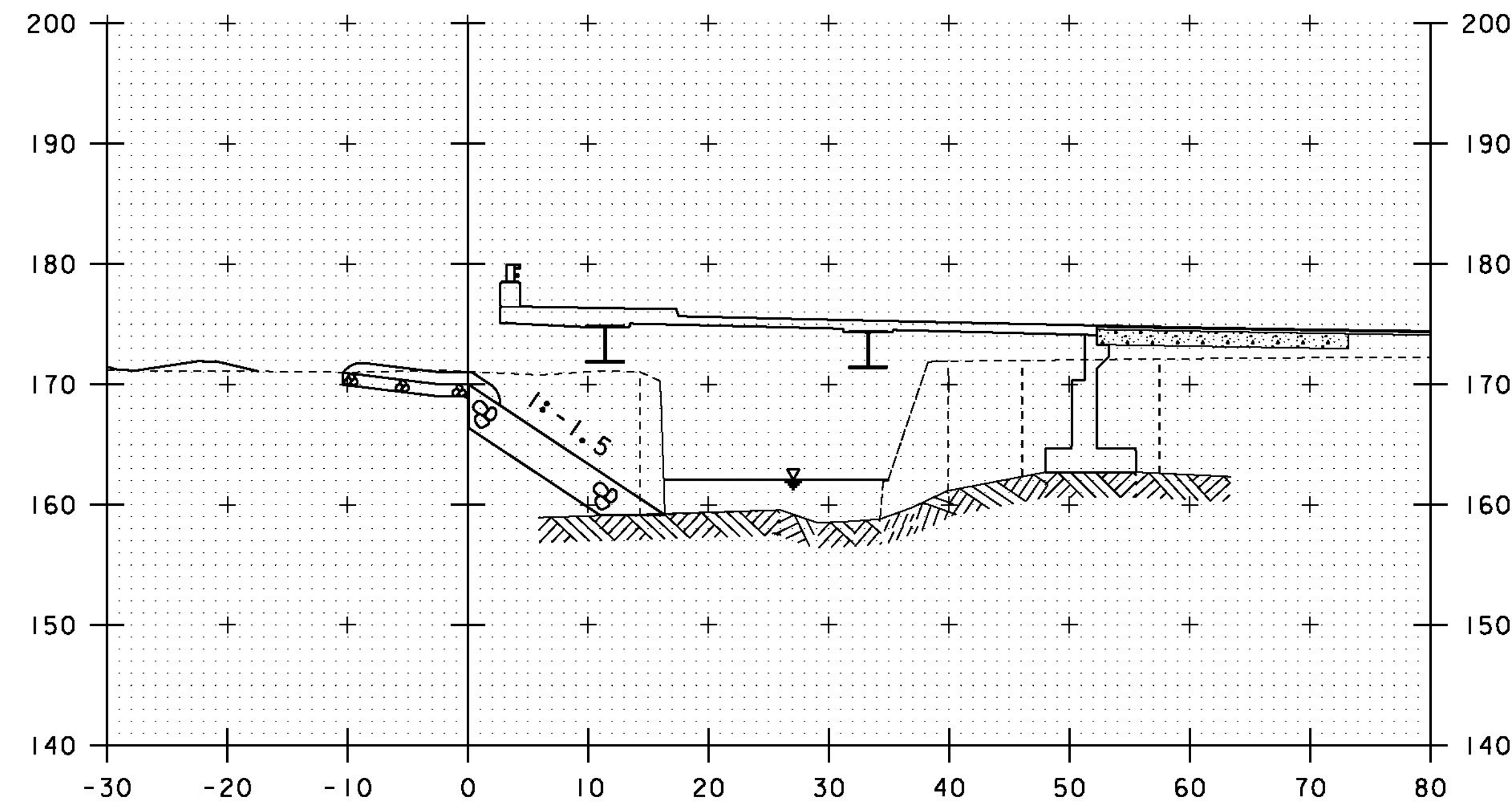
STA. 21+31.54 END ITEMS RT  
 UNCLASSIFIED CHANNEL EXCAVATION  
 STONE FILL, TYPE III  
 GEOTEXTILE UNDER STONE FILL  
 GRUBBING MATERIAL



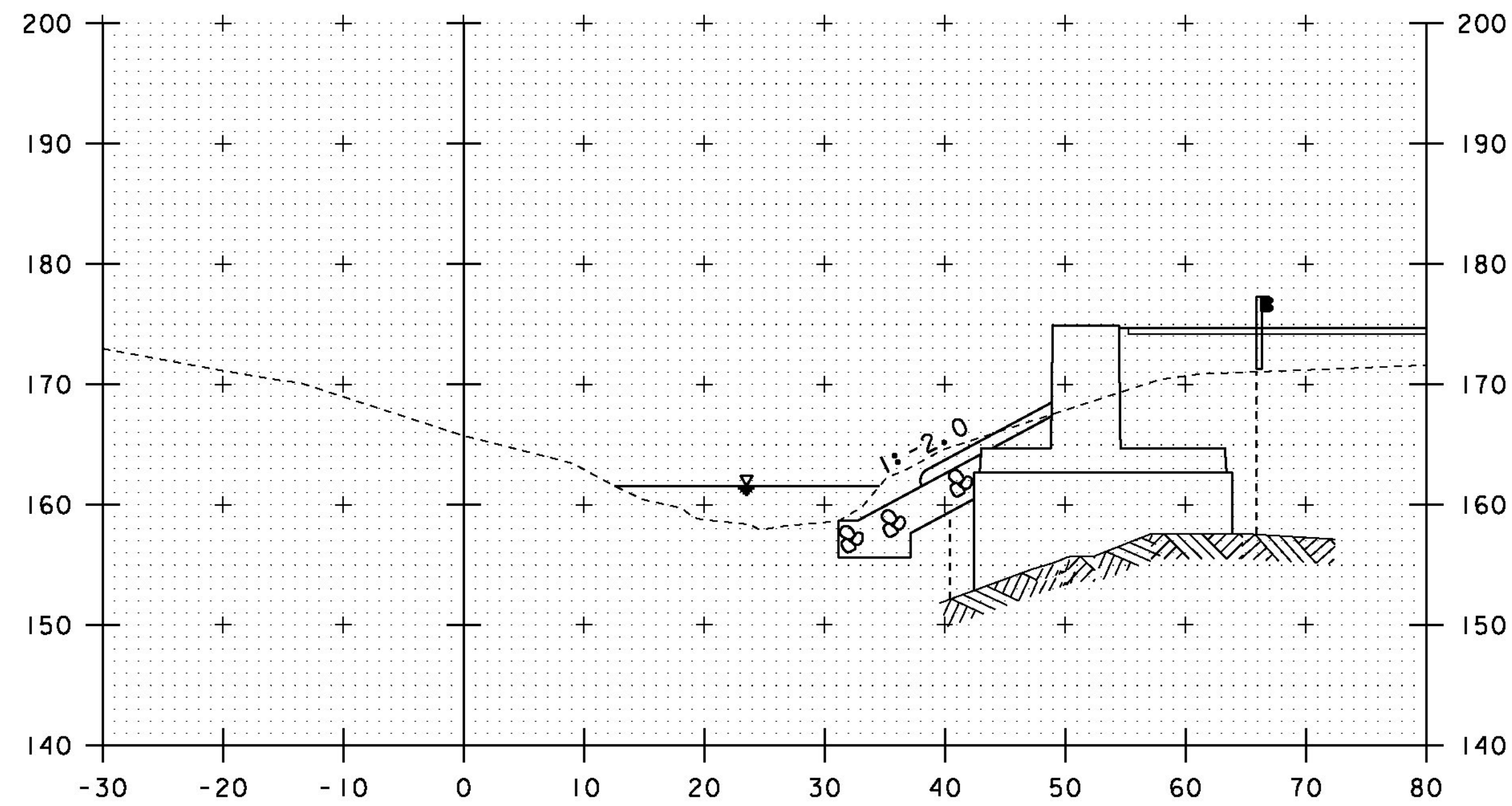
20+80



21+25



20+75



21+00

STA. 20+73.70 BEGIN ITEM LT  
 GRUBBING MATERIAL

PROJECT NAME: COLCHESTER  
 PROJECT NUMBER: STP 5600 (12)

FILE NAME: s95j298xs.dgn  
 PROJECT LEADER: C. CARLSON  
 DESIGNED BY: N. VANDERBERG  
 CHANNEL CROSS SECTIONS 3

PLOT DATE: 12-JAN-2015  
 DRAWN BY: G. ROKES  
 CHECKED BY: D. PETERSON  
 SHEET 45 OF 53

STA. 20+75 TO STA. 21+25