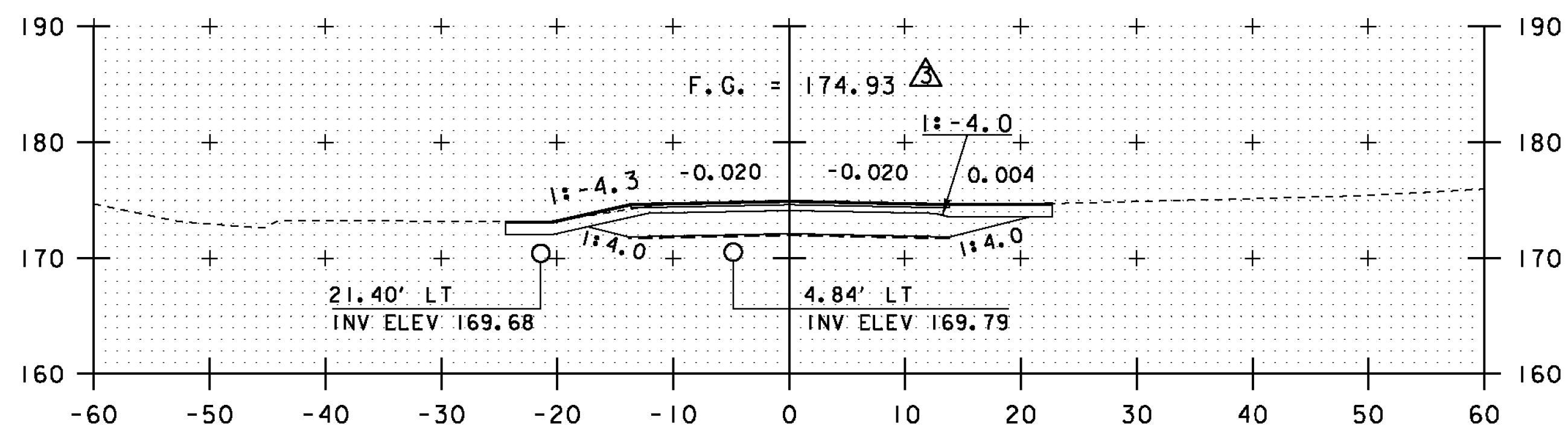
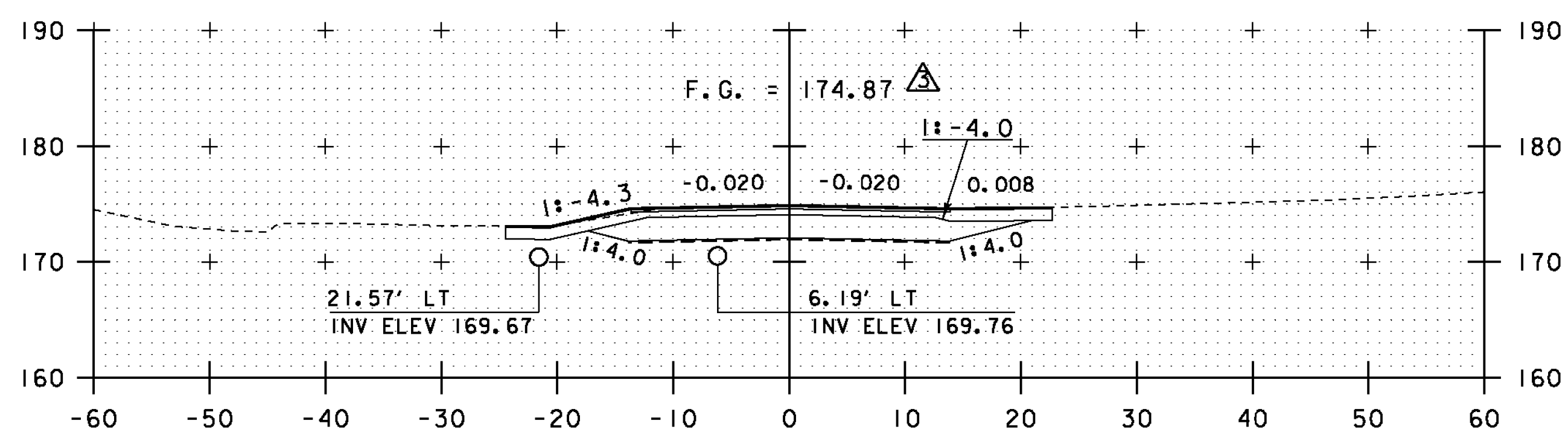


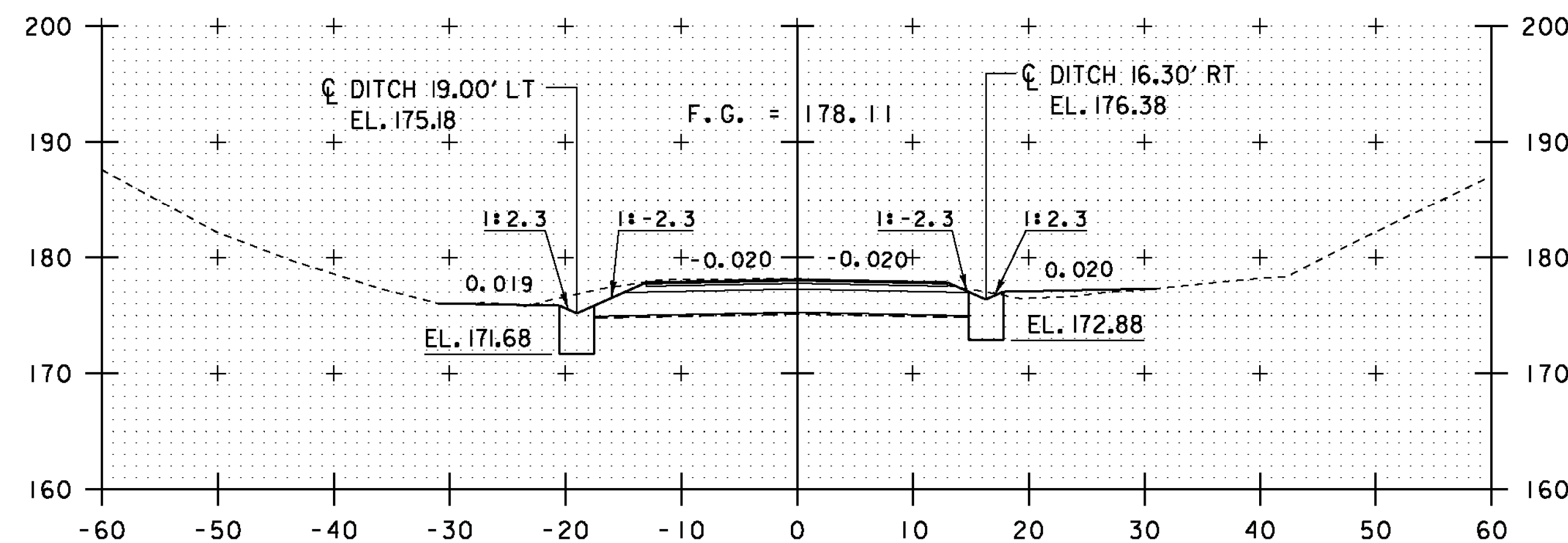
16+50 $\triangle \triangle$



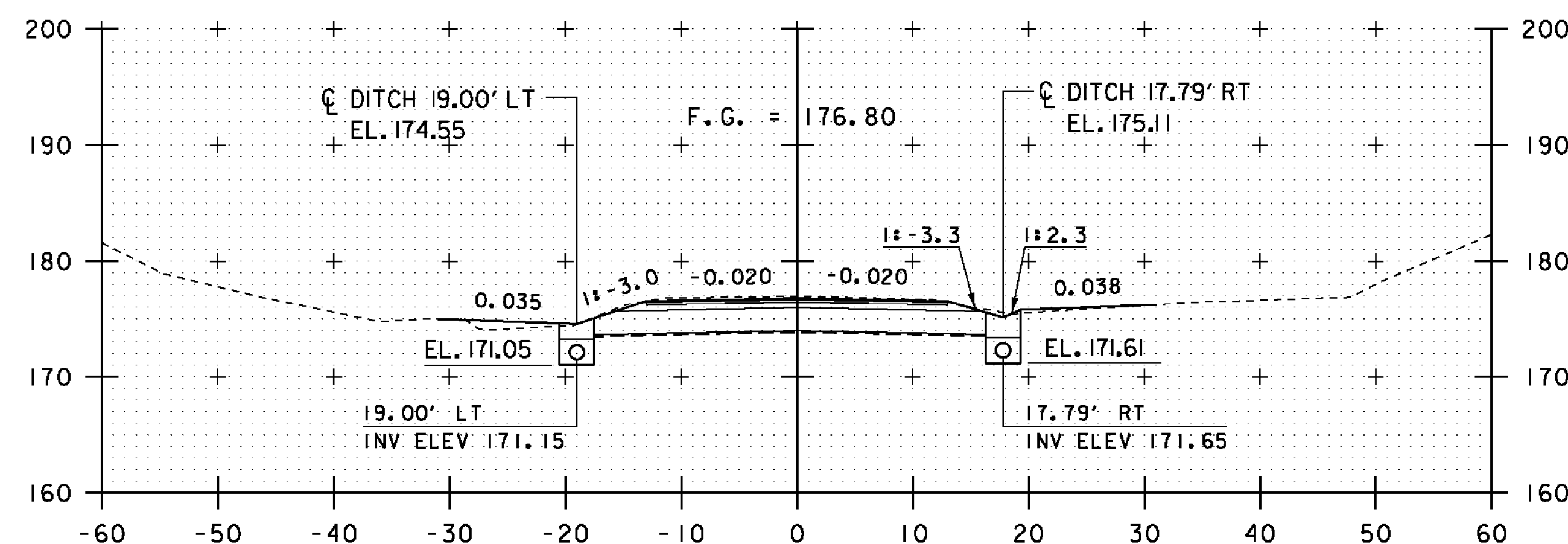
16+27 $\triangle \triangle$
DRIVE RIGHT



16+25 $\triangle \triangle$



17+00



16+75 \triangle

END VAOT PROJECT
COLCHESTER STP 5600 (12)
BEGIN TOWN OF COLCHESTER
MILL POND ROAD
ROADWAY RECONSTRUCTION

STA. 16+25 TO STA. 17+00

KEY	DATE	BY	REVISION
\triangle	02/23/2015	VAOT	MODIFIED ROADWAY MATERIAL DEPTHS.
\triangle	04/20/2015	VAOT	MODIFIED DRAINAGE PIPES AND DITCH.
\triangle	09/01/2015	VAOT	MODIFIED FINISH GRADE.

PROJECT NAME: COLCHESTER
PROJECT NUMBER: STP 5600 (12)

FILE NAME: s95j298xs.dgn
PROJECT LEADER: C. CARLSON
DESIGNED BY: N. VANDERBERG
ROADWAY CROSS SECTIONS 5

PLOT DATE: 01-SEP-2015
DRAWN BY: G. ROKES
CHECKED BY: D. PETERSON
SHEET 40 OF 53