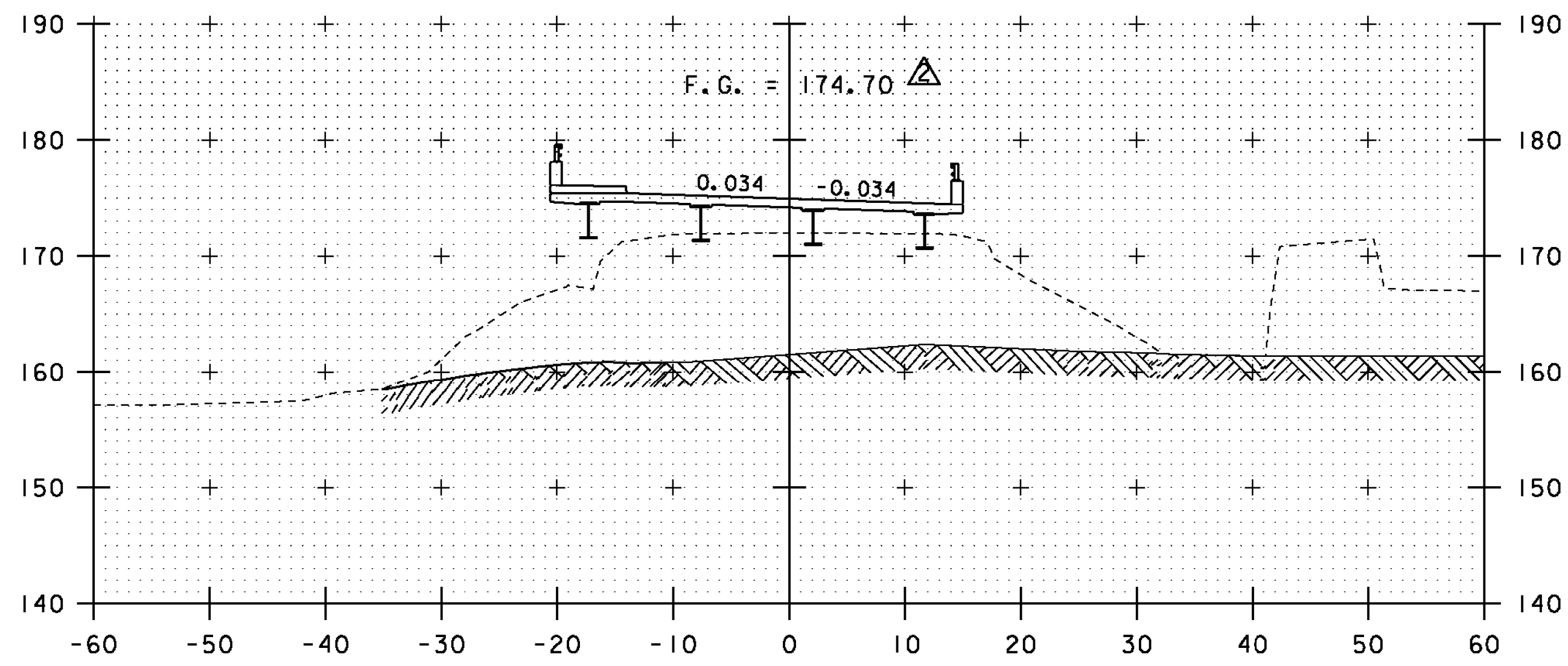
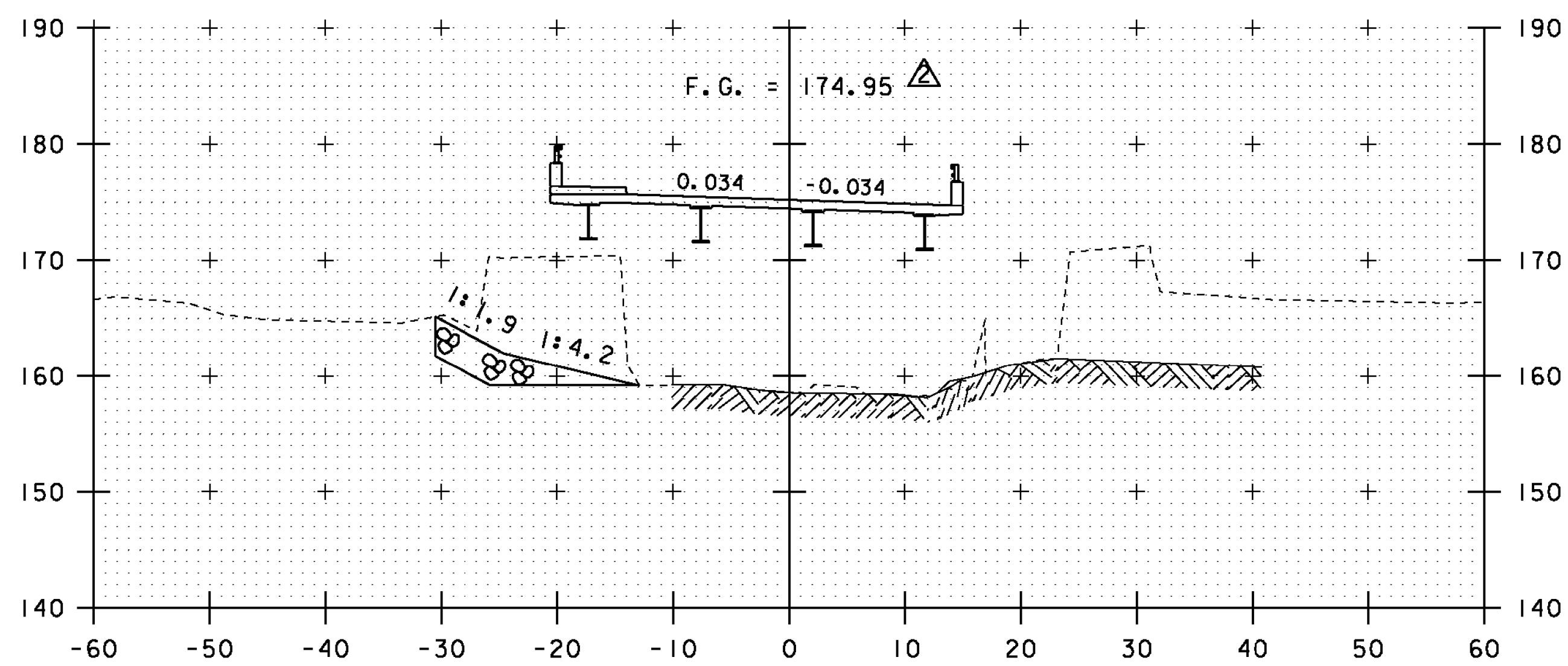


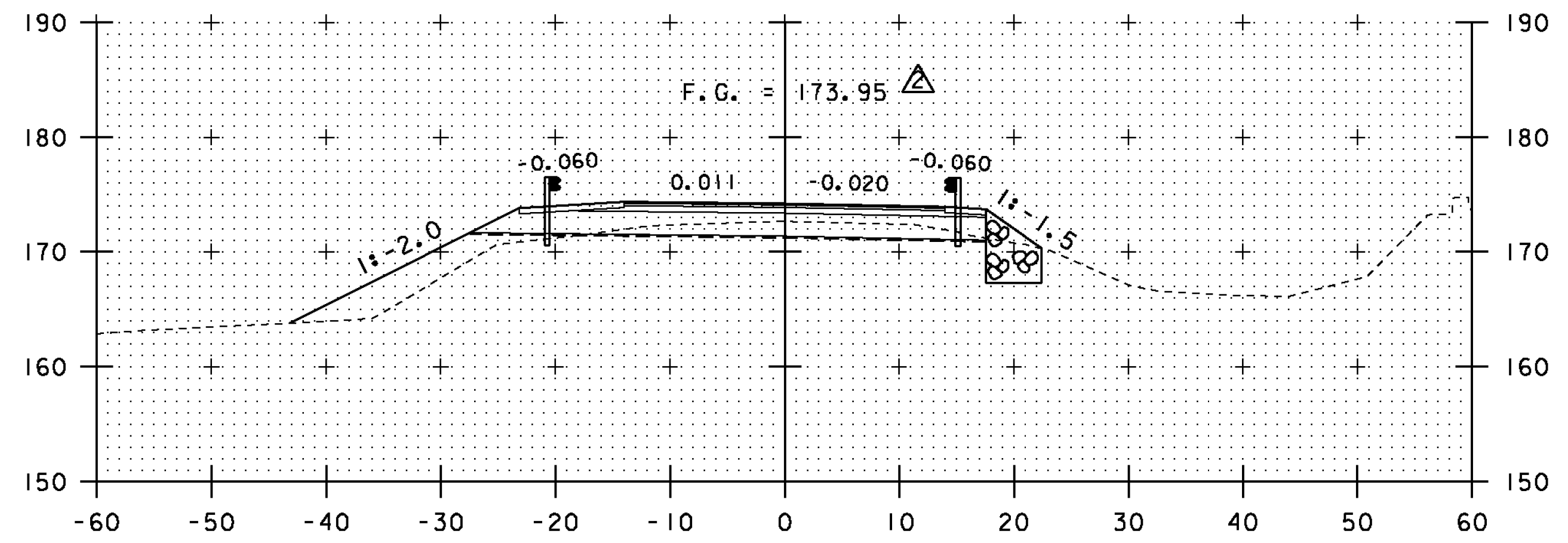
END BRIDGE STA. 14+34.00



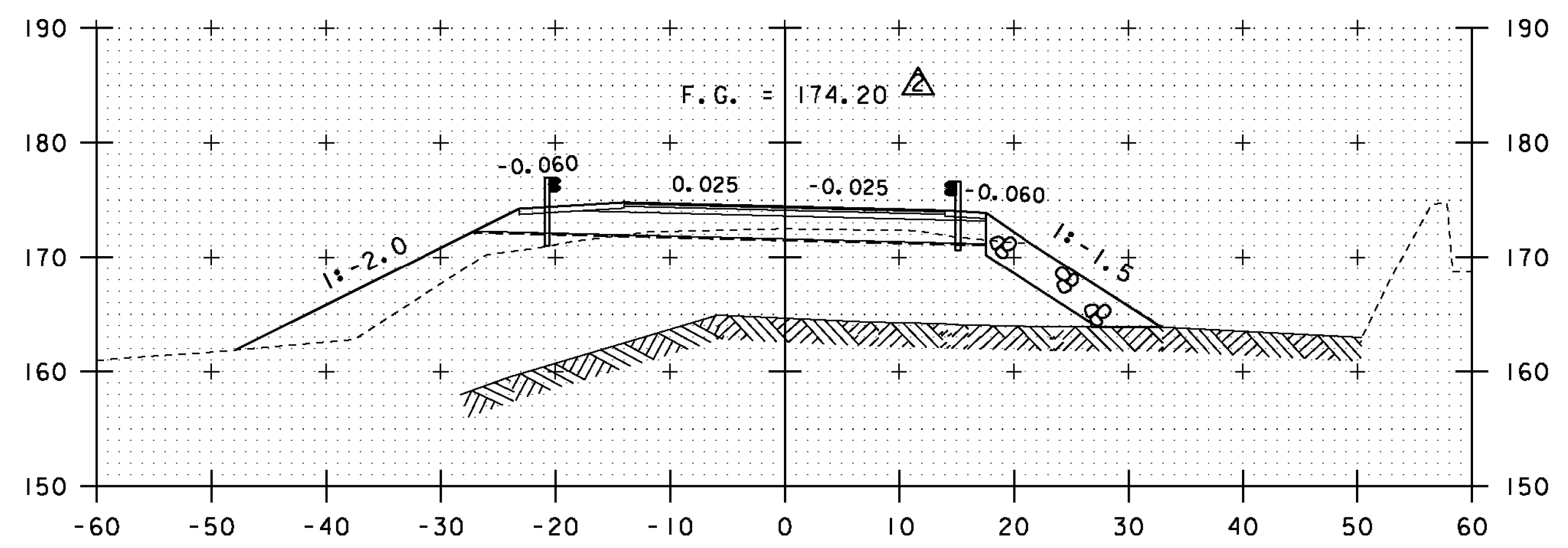
14+25



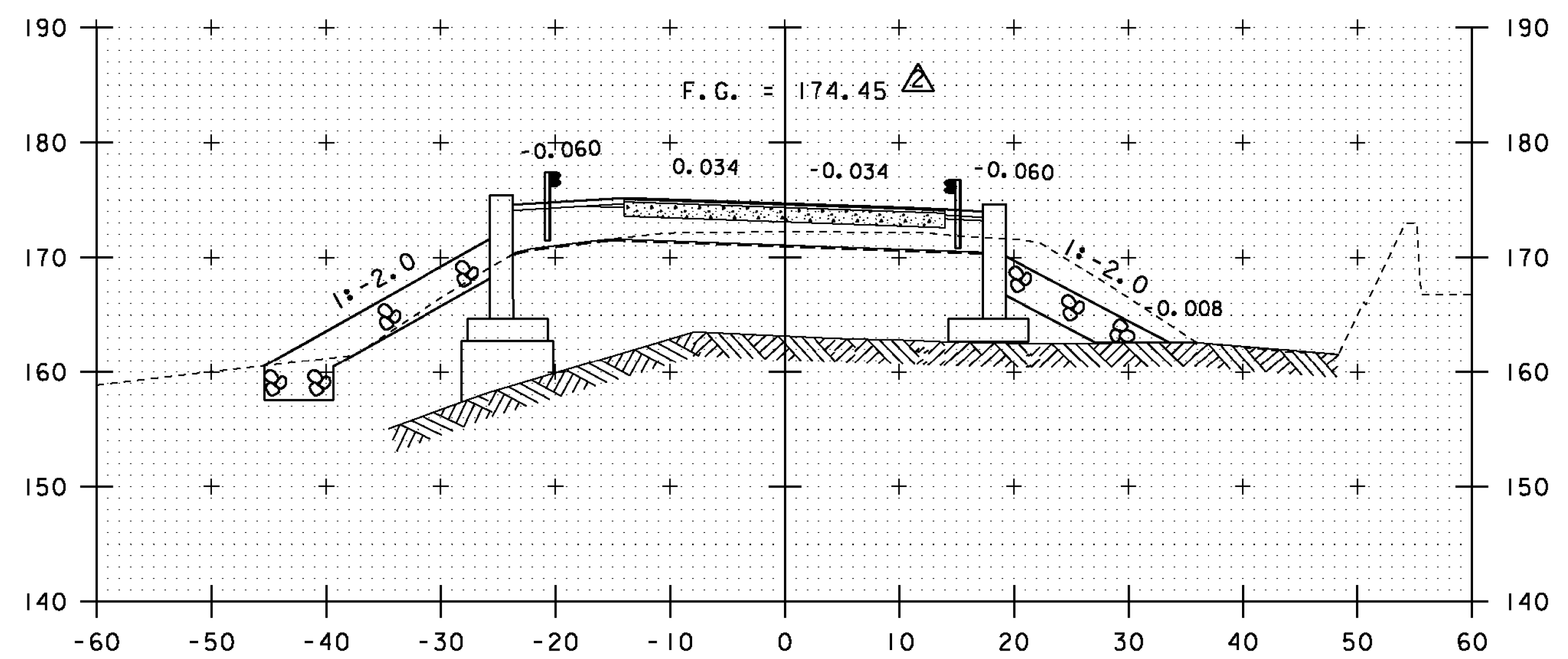
14+00



15+00



14+75



14+50

KEY	DATE	BY	REVISION
△	02/23/2015	VAOT	MODIFIED ROADWAY MATERIAL DEPTHS.
△	09/01/2015	VAOT	MODIFIED FINISH GRADE.

PROJECT NAME: COLCHESTER
PROJECT NUMBER: STP 5600 (12)

FILE NAME: s95j298xs.dgn
PROJECT LEADER: C. CARLSON
DESIGNED BY: N. VANDERBERG
ROADWAY CROSS SECTIONS 3

PLOT DATE: 01-SEP-2015
DRAWN BY: G. ROKES
CHECKED BY: D. PETERSON
SHEET 38 OF 53

STA. 14+00 TO STA. 15+00