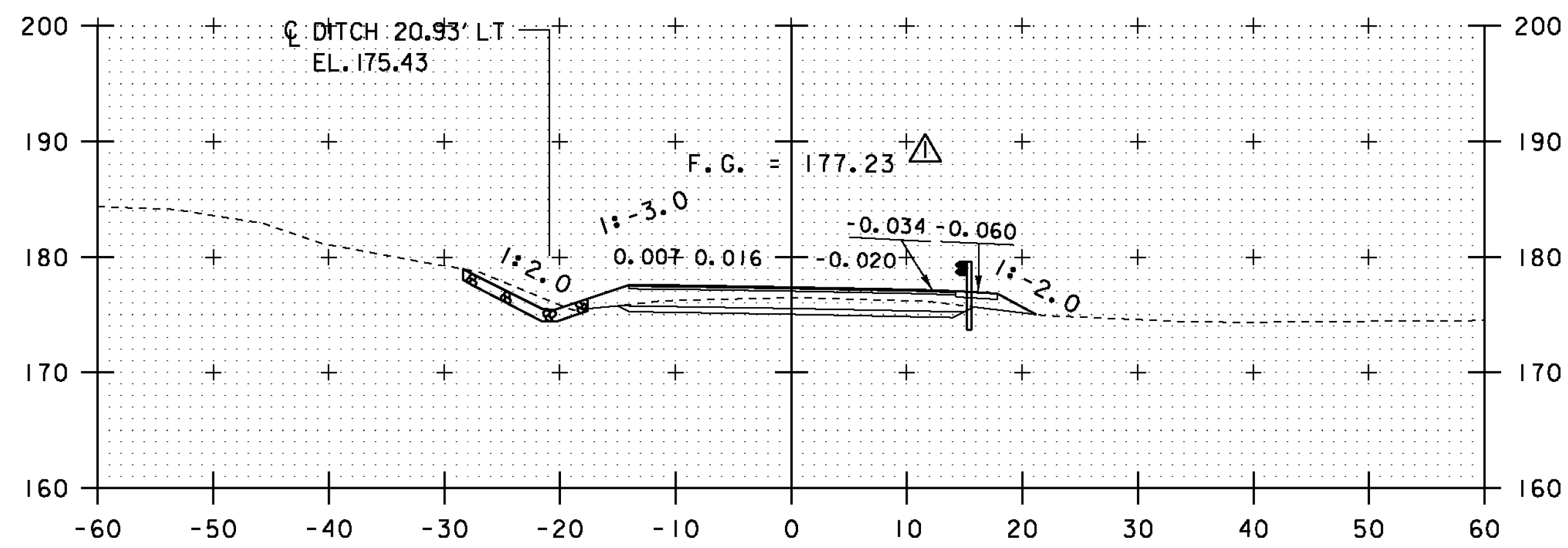
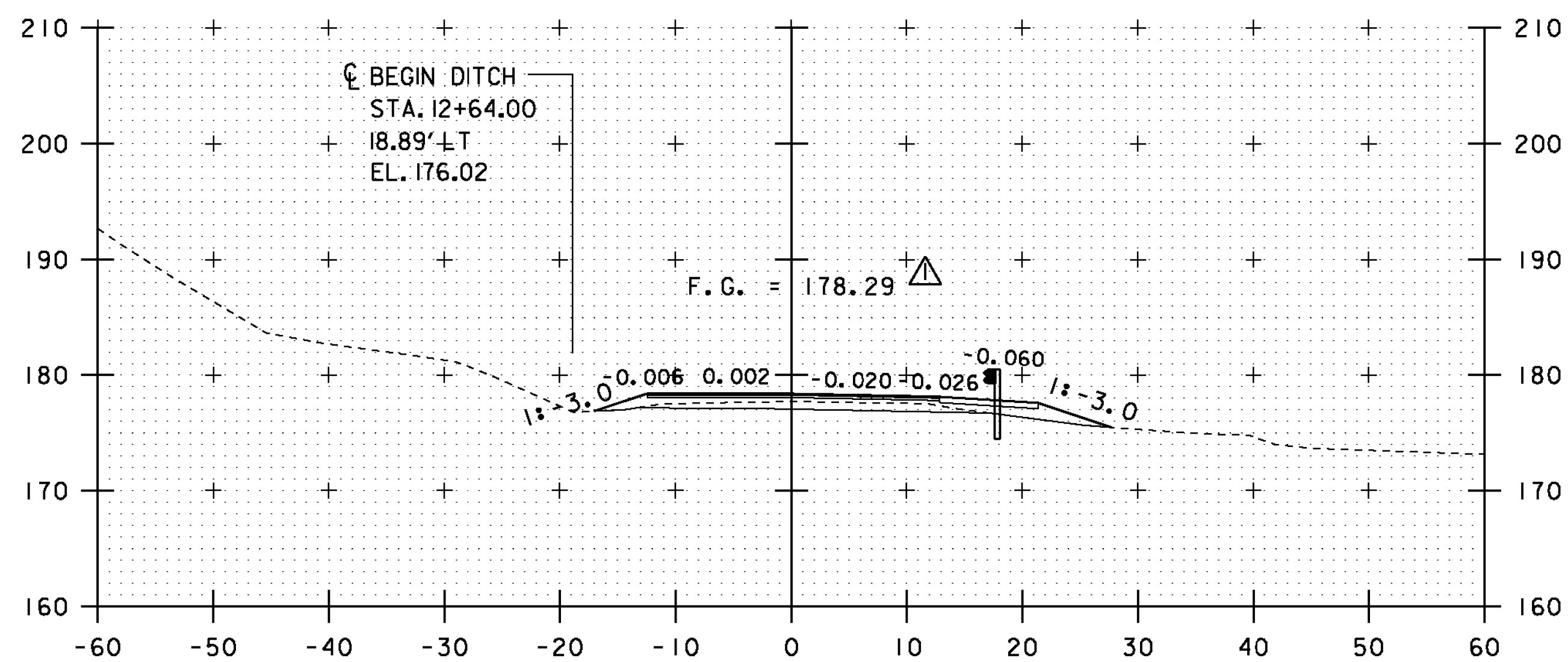


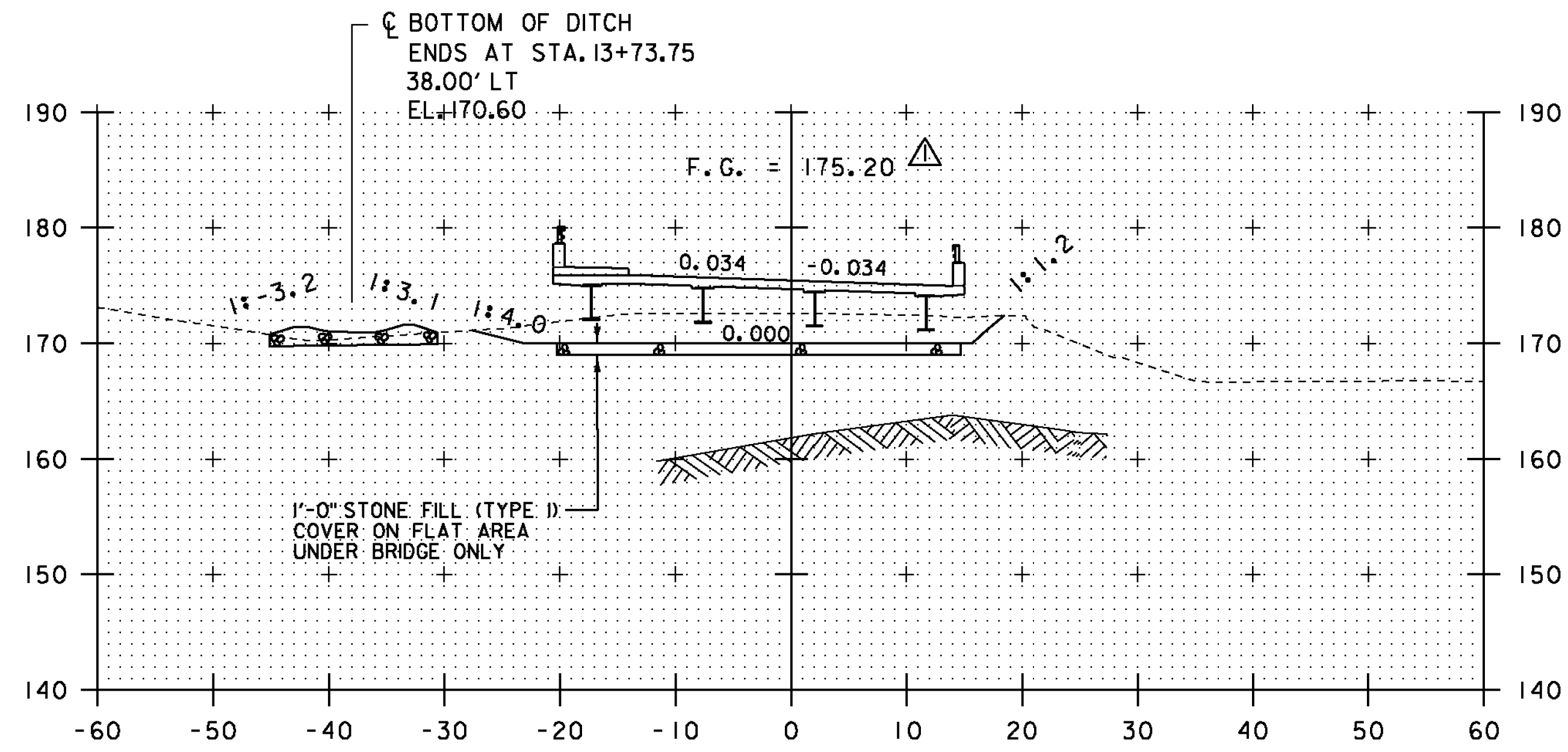
13+00



BEGIN PROJECT  
12+75

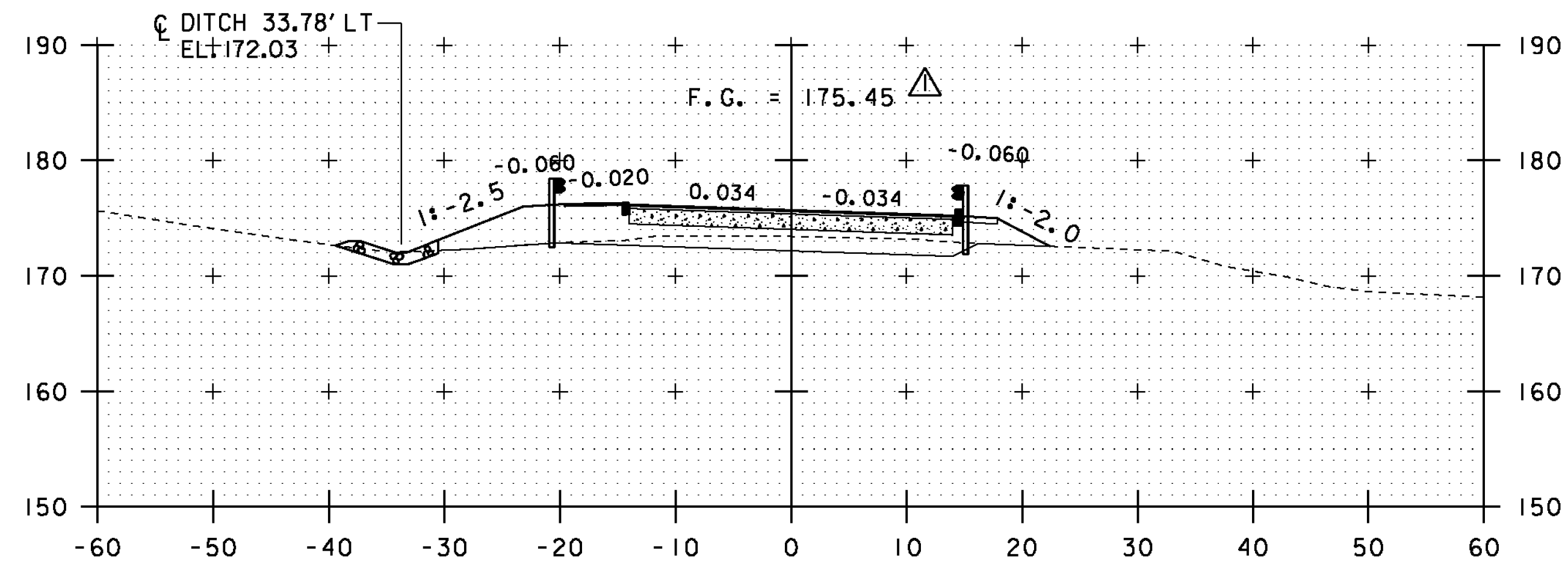


12+50

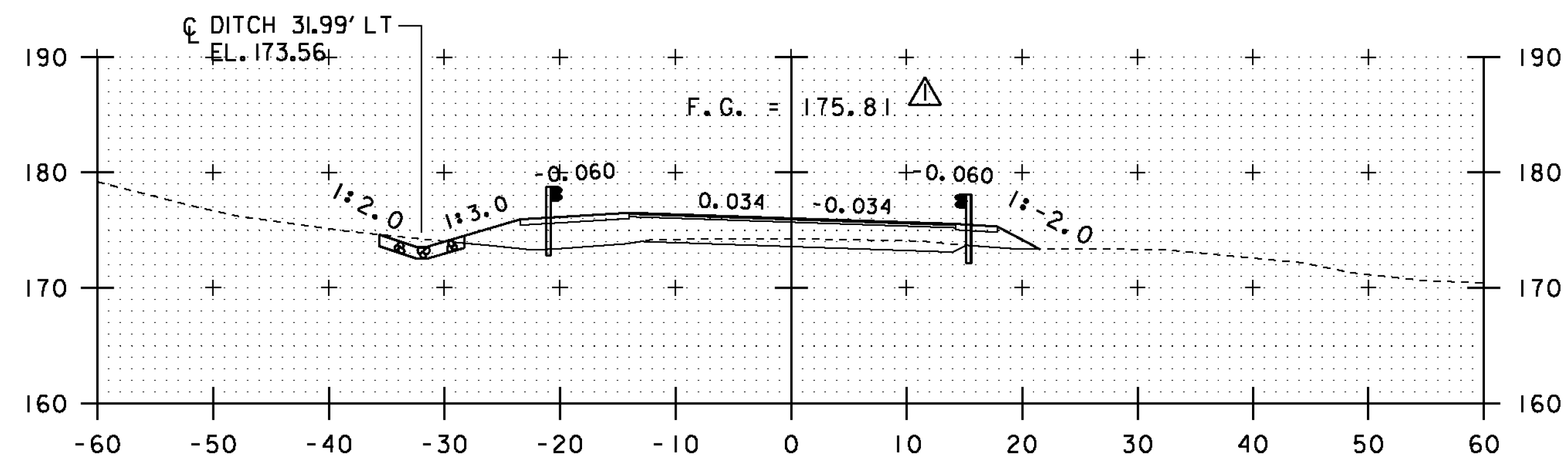


13+75

BEGIN BRIDGE STA. 13+60.00



13+50



13+25

KEY	DATE	BY	REVISION
△	09/01/2015	VAOT	MODIFIED FINISH GRADE.

PROJECT NAME: COLCHESTER  
PROJECT NUMBER: STP 5600 (12)

FILE NAME: s95j298xs.dgn  
PROJECT LEADER: C. CARLSON  
DESIGNED BY: N. VANDERBERG  
ROADWAY CROSS SECTIONS 2

PLOT DATE: 01-SEP-2015  
DRAWN BY: G. ROKES  
CHECKED BY: D. PETERSON  
SHEET 37 OF 53

STA. 12+50 TO STA. 13+75