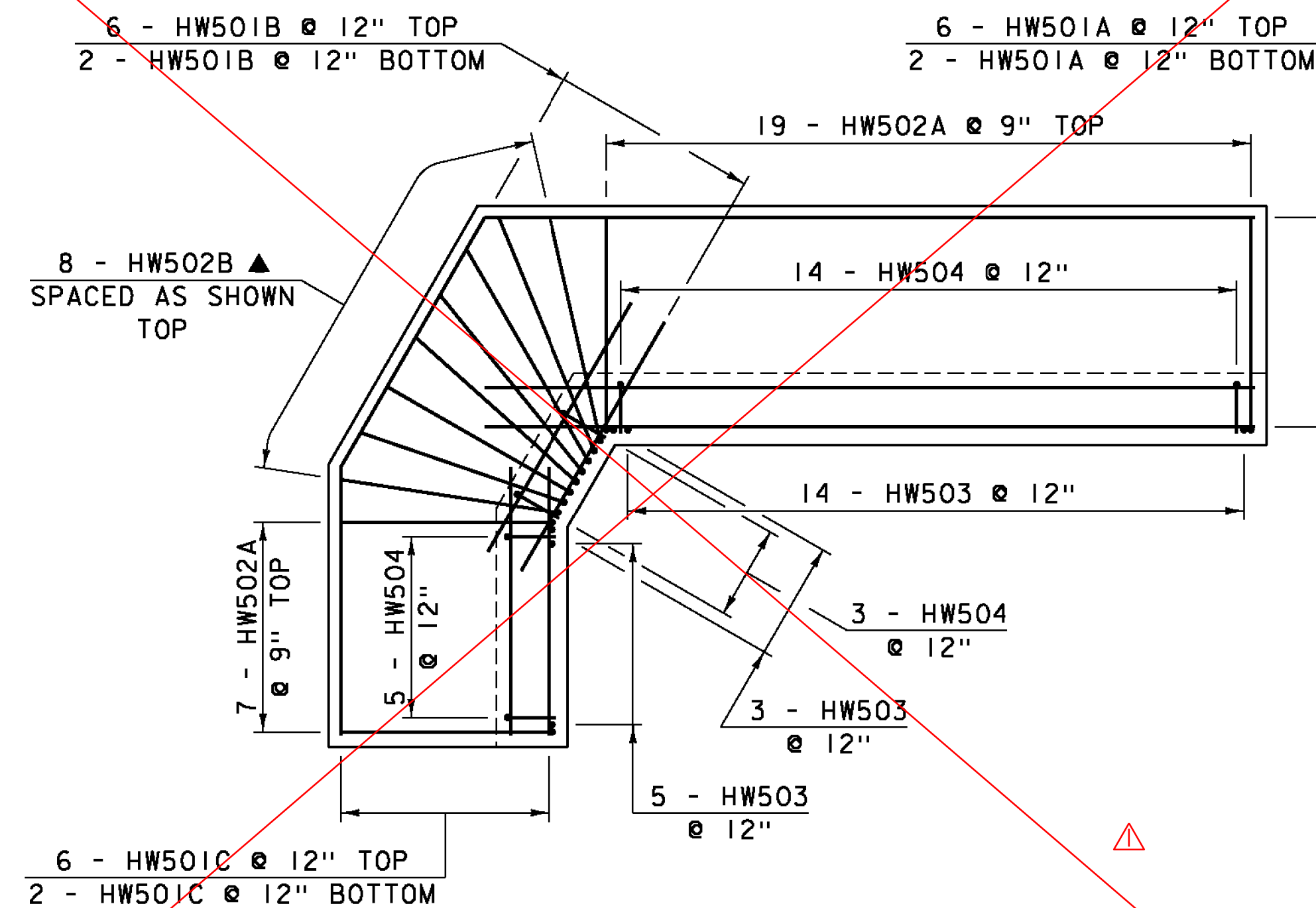
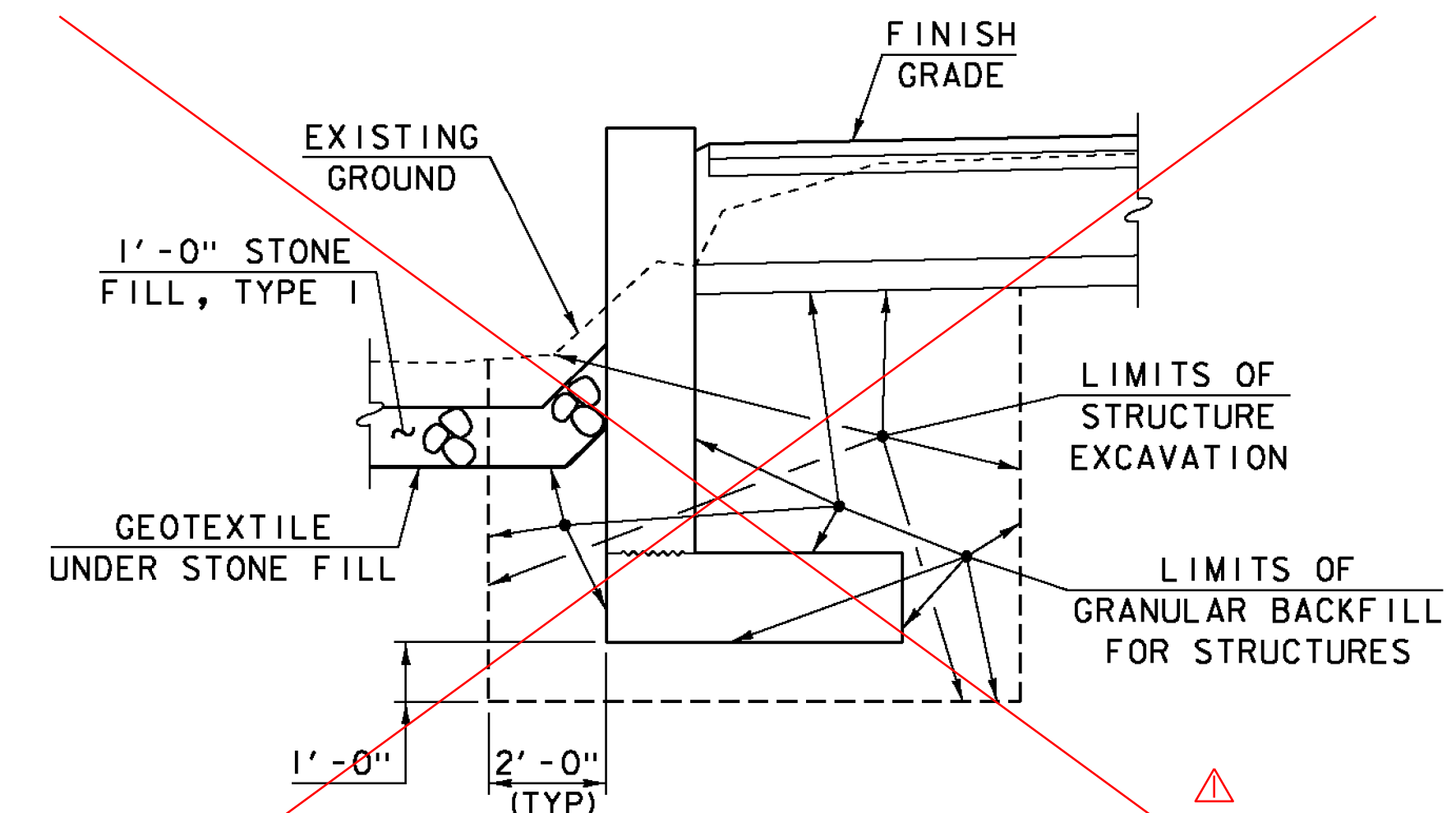


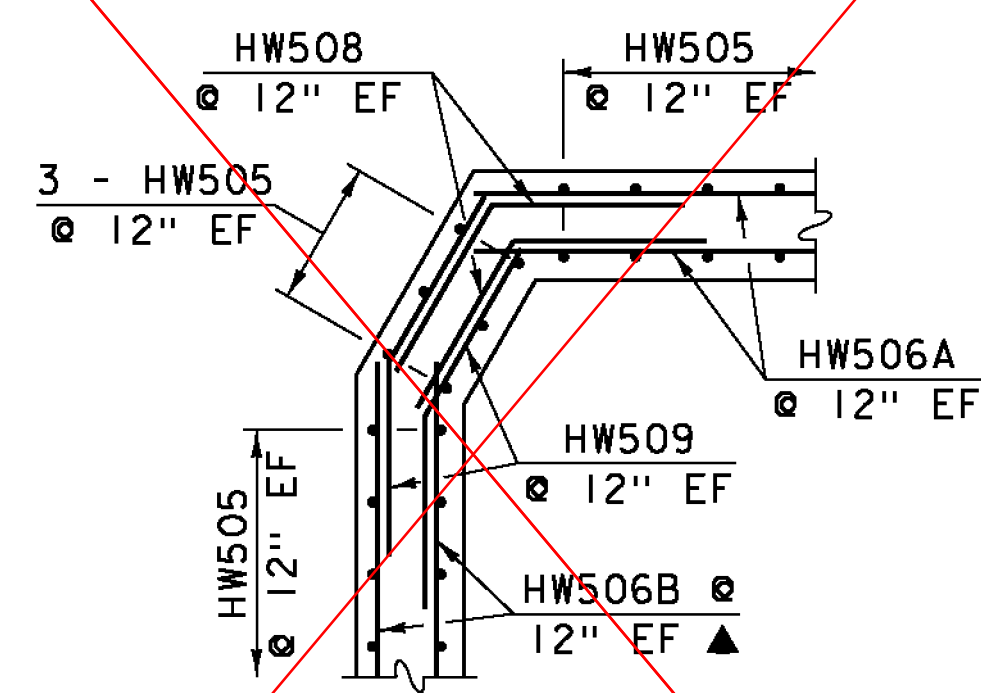
HEADWALL PLAN
SCALE 3/8" = 1'-0"



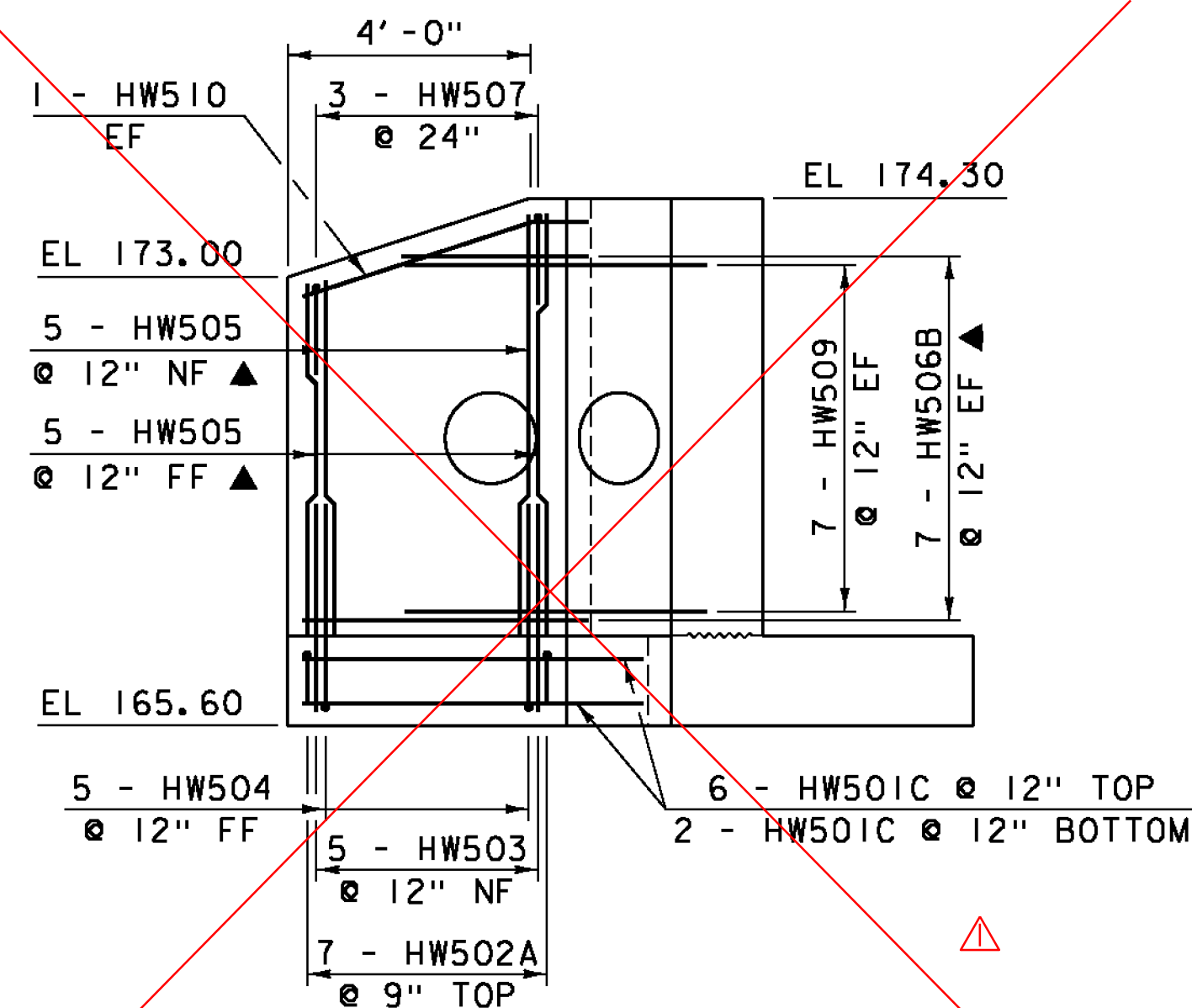
HEADWALL FOOTING REINFORCING
SCALE 3/8" = 1'-0"



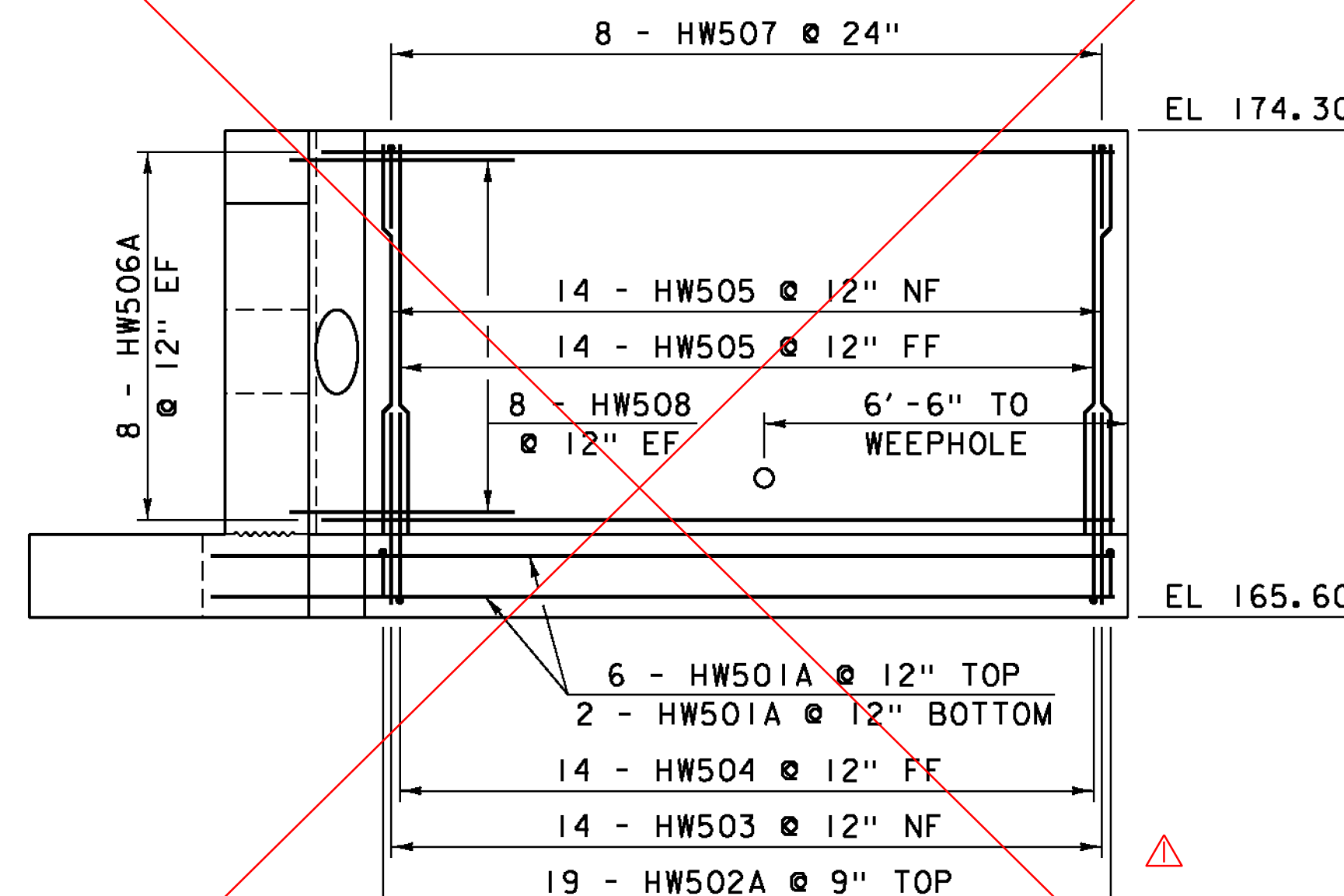
HEADWALL EARTHWORK TYPICAL
SCALE 3/8" = 1'-0"



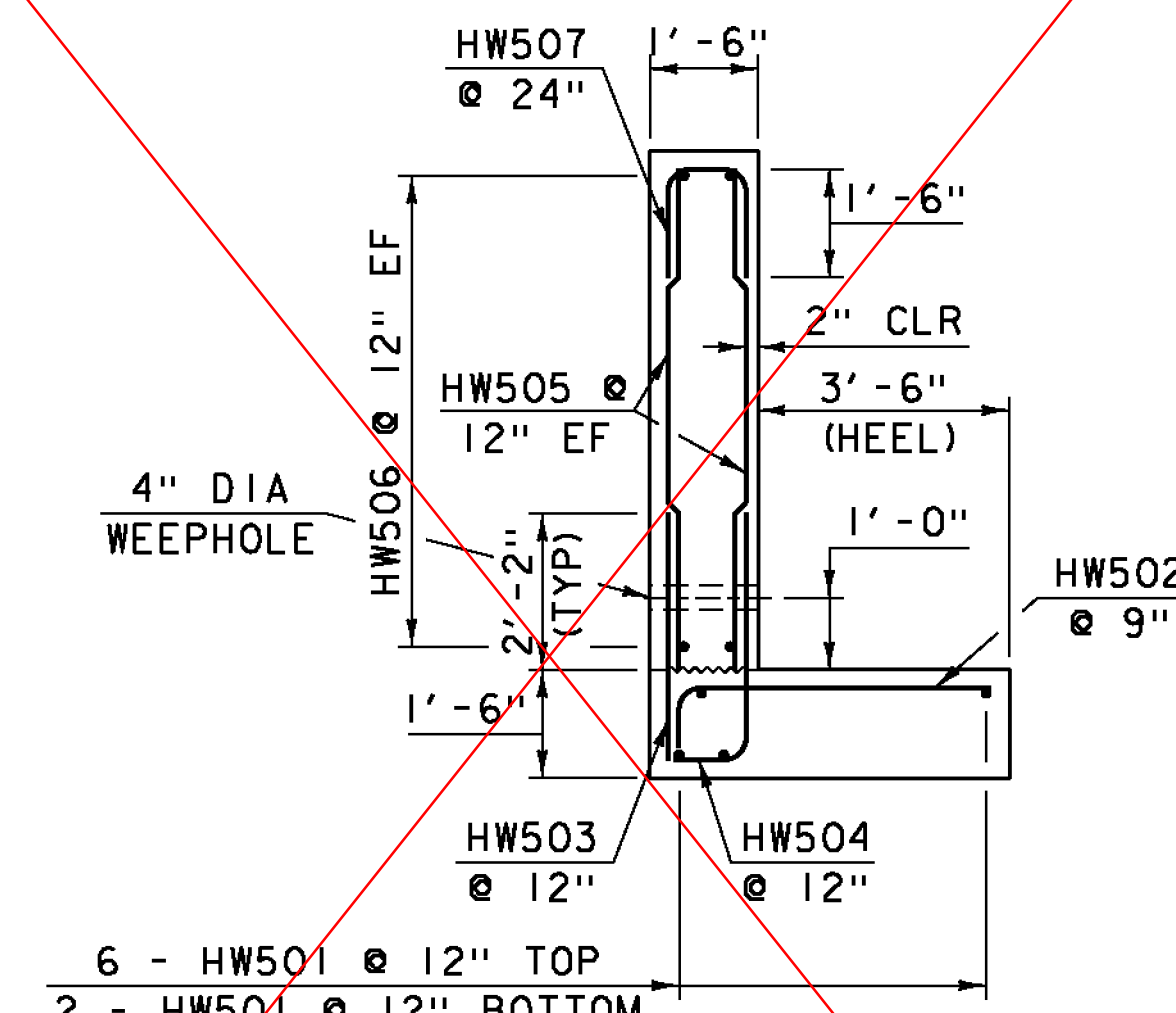
CORNER REINFORCING
SCALE 3/8" = 1'-0"



VIEW "B-B"
SCALE 3/8" = 1'-0"



VIEW "A-A"
SCALE 3/8" = 1'-0"



HEADWALL TYPICAL
SCALE 3/8" = 1'-0"

NOTE:
NF = NEAR FACE
FF = FAR FACE
EF = EACH FACE
▲ = CUT TO FIT IN FIELD
3" CLEAR, UNLESS OTHERWISE SPECIFIED ON THE PLANS.
2'-2" BAR LAP UNLESS OTHERWISE SPECIFIED ON THE PLANS.

KEY	DATE	BY	REVISION
△	04/21/2015	VAOT	ELIMINATE HEADWALL

PROJECT NAME: COLCHESTER	PLOT DATE: 12-JAN-2015
PROJECT NUMBER: STP 5600 (12)	DRAWN BY: G. ROY
FILE NAME: s95j298xs.dgn	CHECKED BY: H. SALLS
DESIGNED BY: G. ROY	SHEET 34 OF 53
HEADWALL DETAILS	