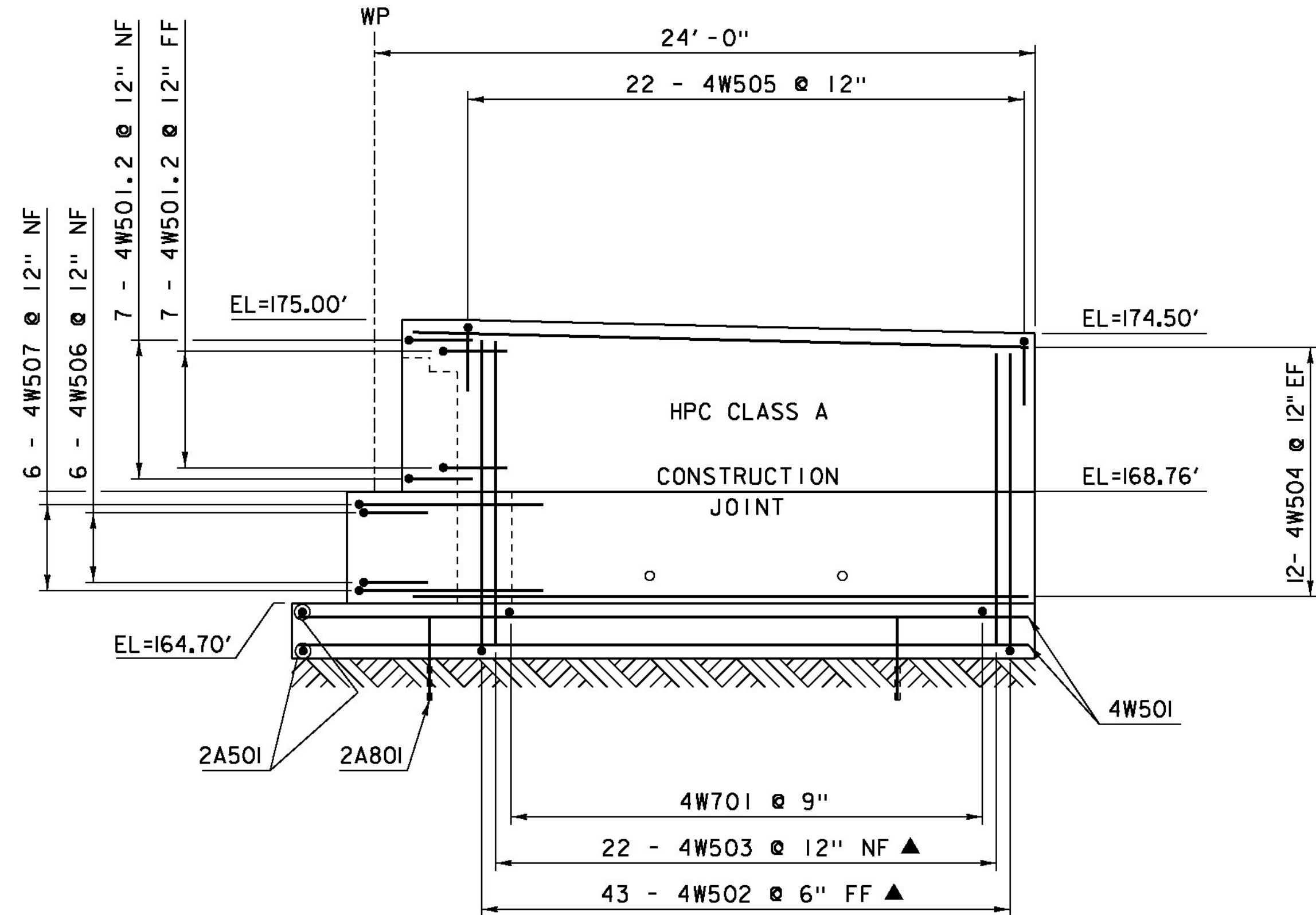


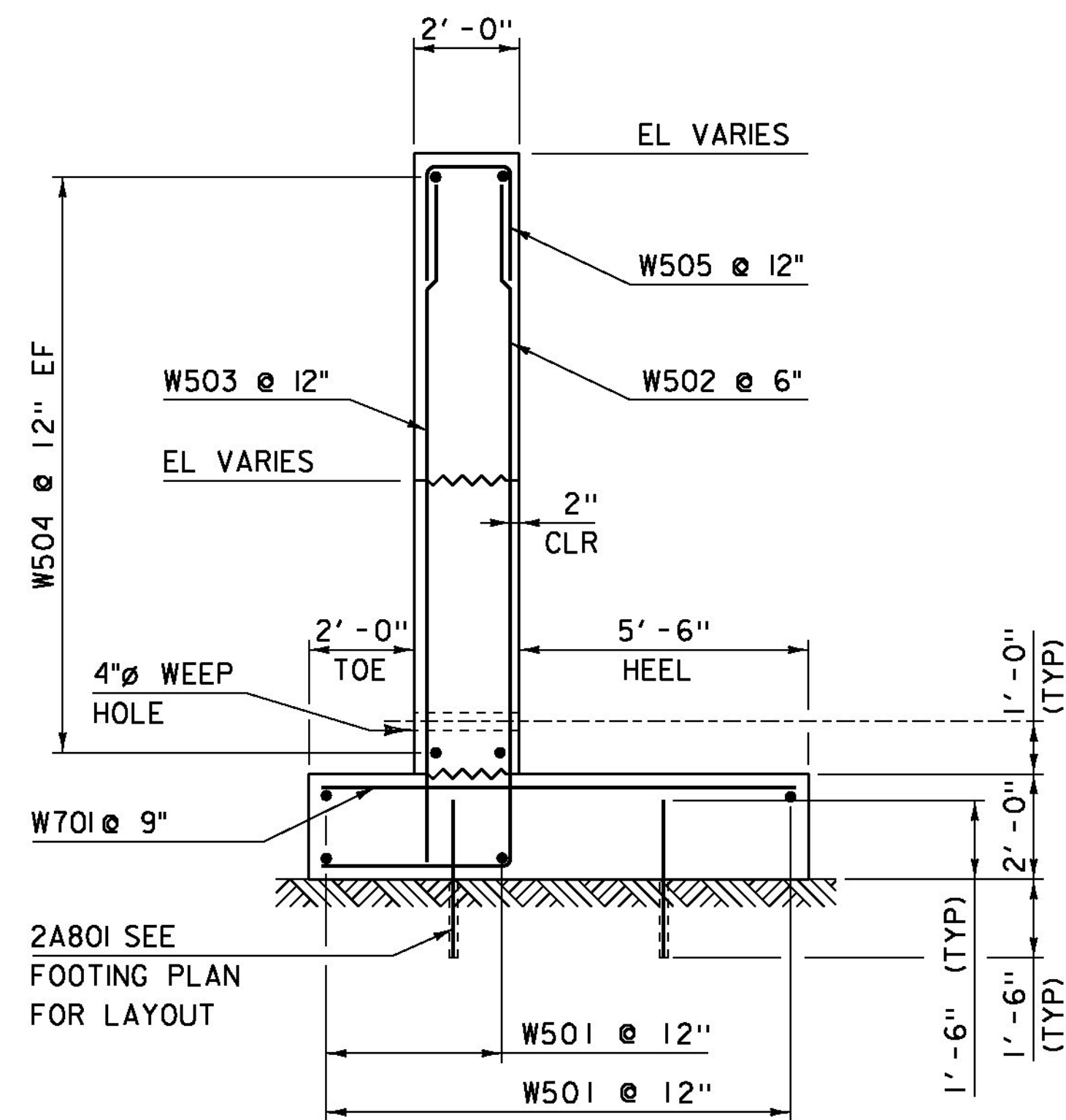
WINGWALL #3 REINFORCING ELEVATION

SCALE 1/4" = 1'-0"



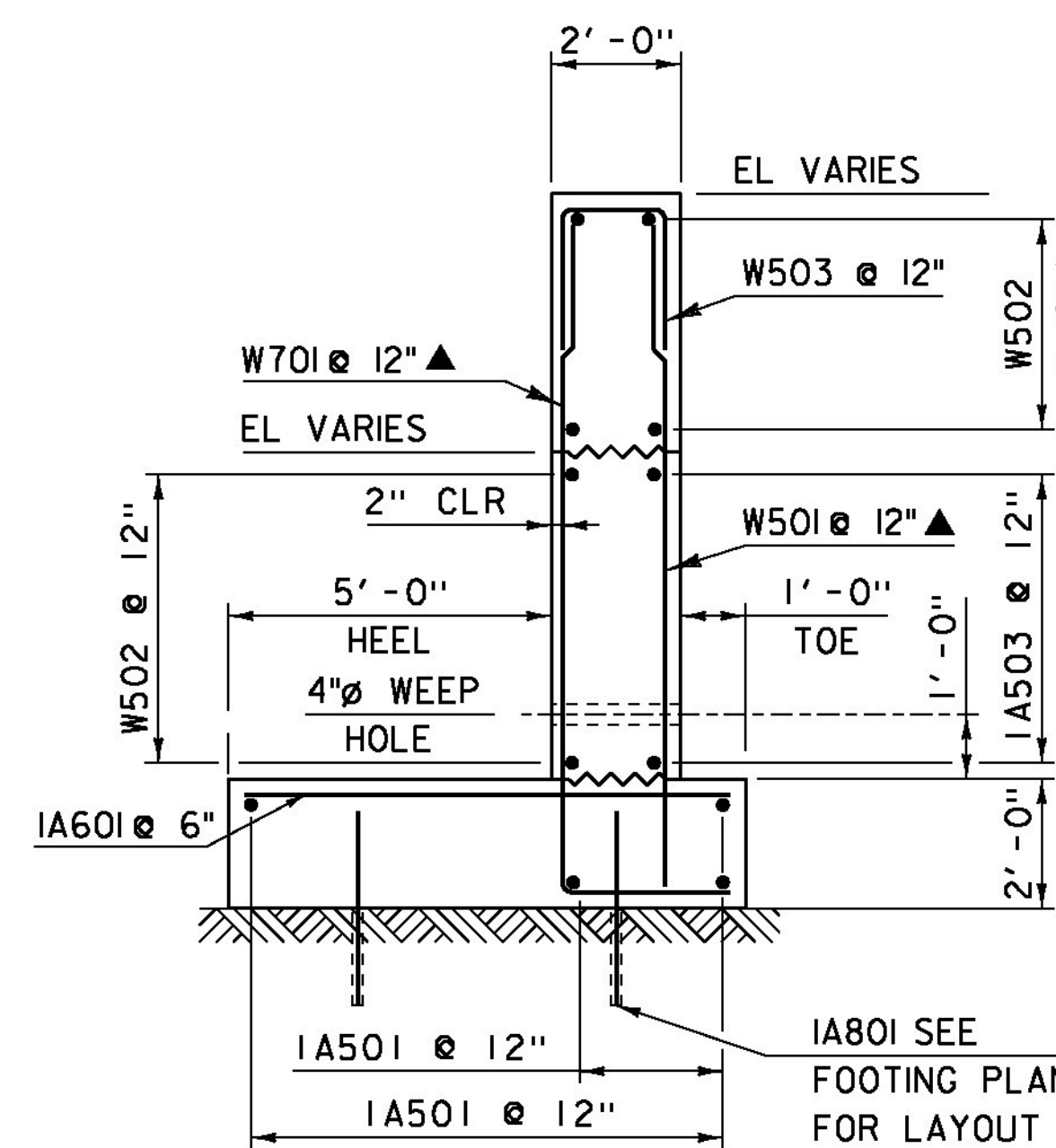
WINGWALL #4 REINFORCING ELEVATION

SCALE 1/4" = 1'-0"



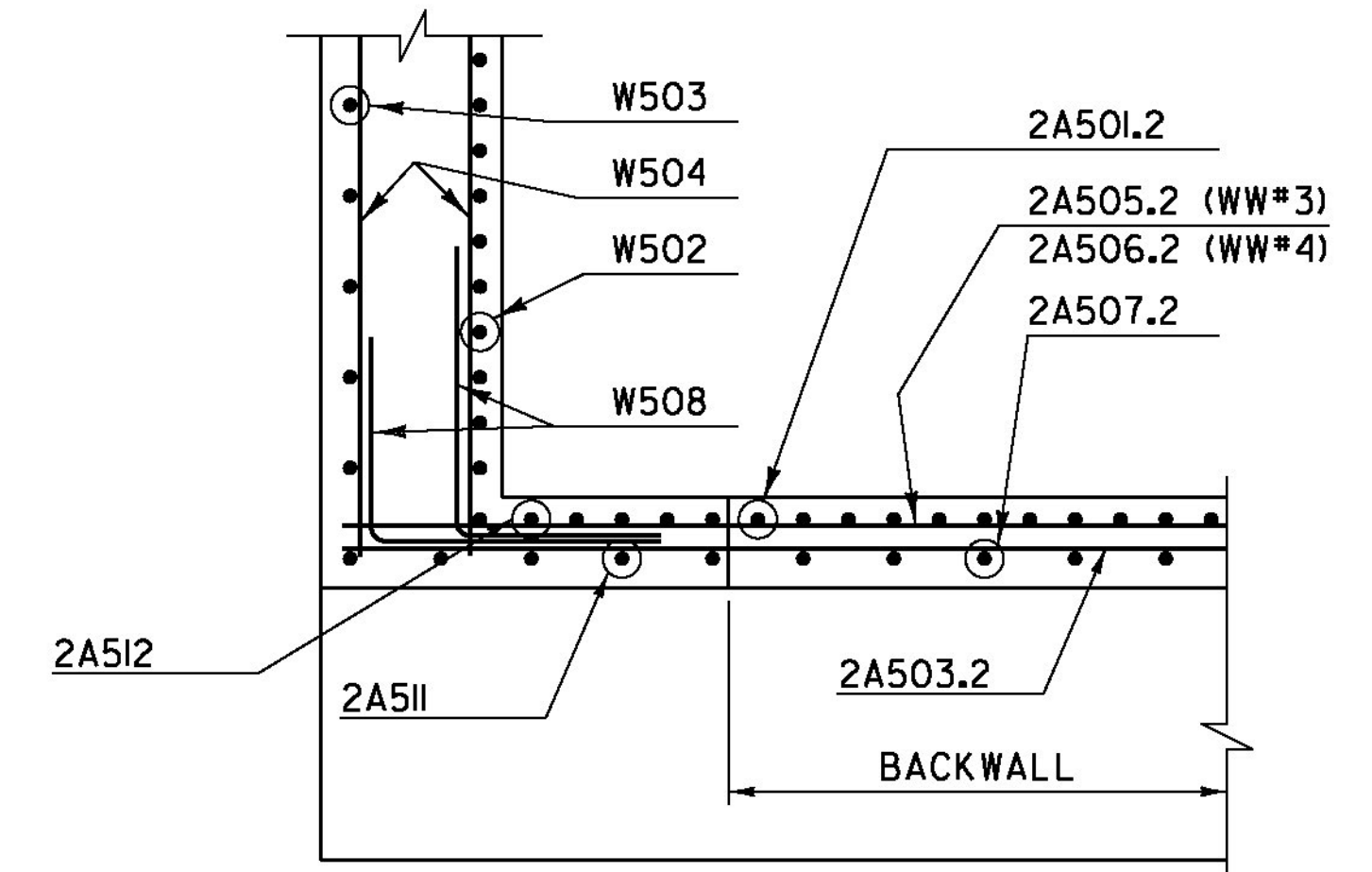
WINGWALL #3 & #4 TYPICAL

SCALE 3/8" = 1'-0"



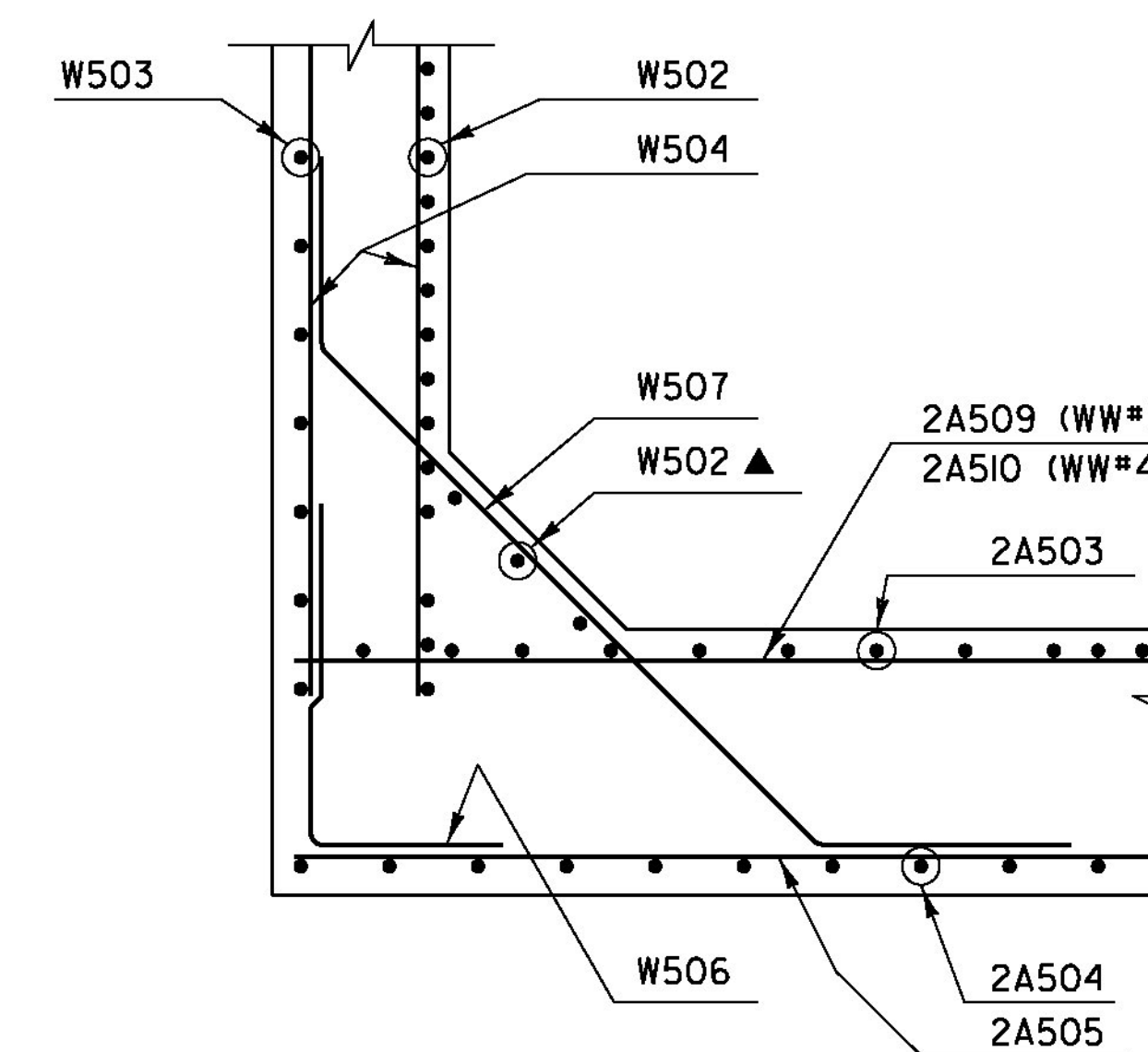
WINGWALL #1 & #2 TYPICAL

SCALE 3/8" = 1'-0"



WINGWALL #3 & #4  
CORNER DETAIL  
(ABOVE BRIDGE SEAT)

SCALE: 1/2" = 1'-0"



WINGWALL #3, #4  
CORNER DETAIL  
(BELOW BRIDGE SEAT)

SCALE: 1/2" = 1'-0"

**NOTE:**

- NF = NEAR FACE
- FF = FAR FACE
- EF = EACH FACE
- ▲ = CUT TO FIT IN FIELD
- 3" CLEAR, UNLESS OTHERWISE SPECIFIED ON THE PLANS.
- 2'-2" BAR LAP UNLESS OTHERWISE SPECIFIED ON THE PLANS.

PROJECT NAME: COLCHESTER  
PROJECT NUMBER: STP 5600 (12)

FILE NAME: s95j298sub.dgn  
PROJECT LEADER: C. CARLSON  
DESIGNED BY: J. GRIFFIN  
WINGWALL #3 & #4 ELEVATIONS

PLOT DATE: 26-JAN-2015  
DRAWN BY: M. UMBERGER  
CHECKED BY: N. VANDENBERG  
SHEET 32 OF 53