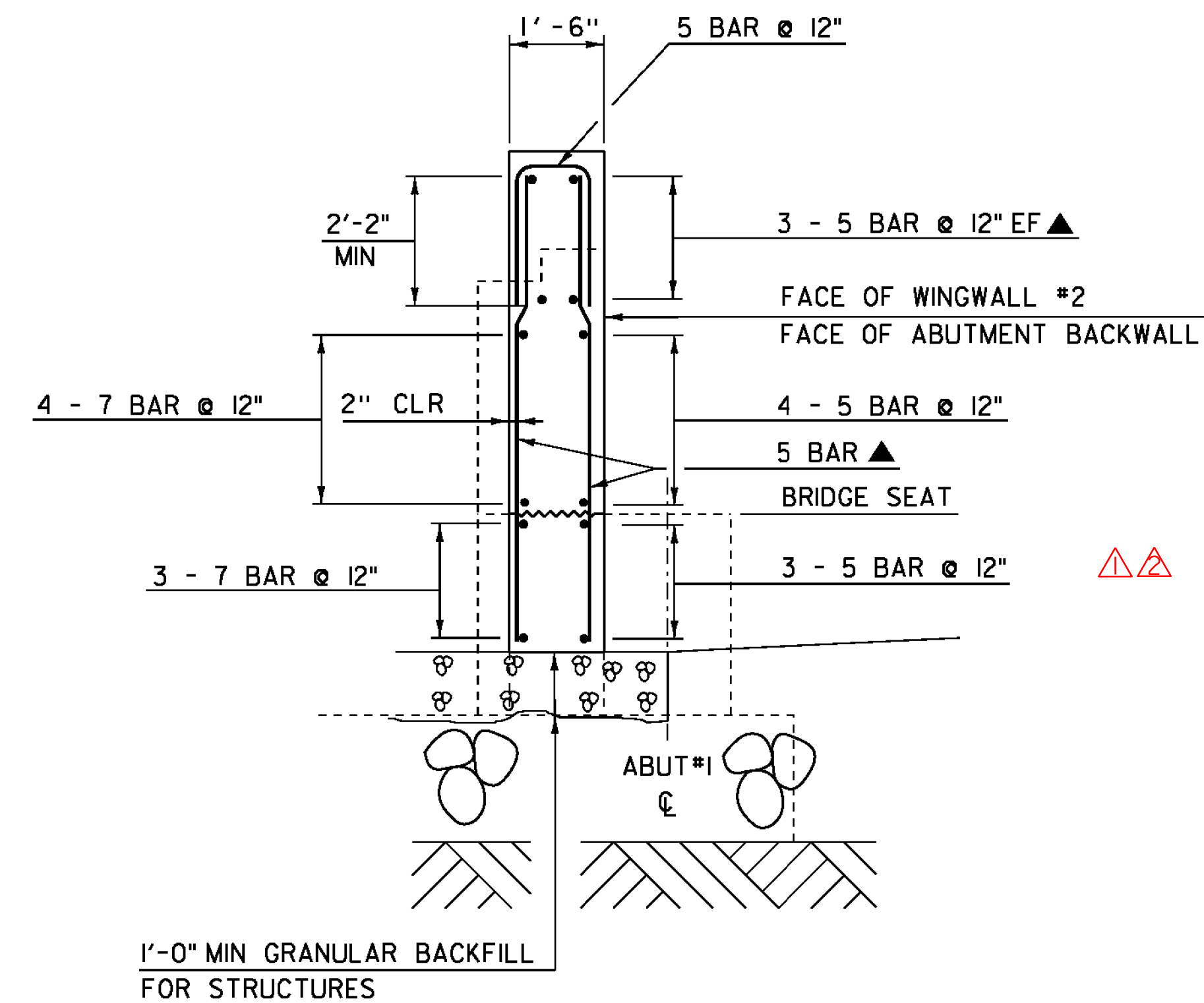
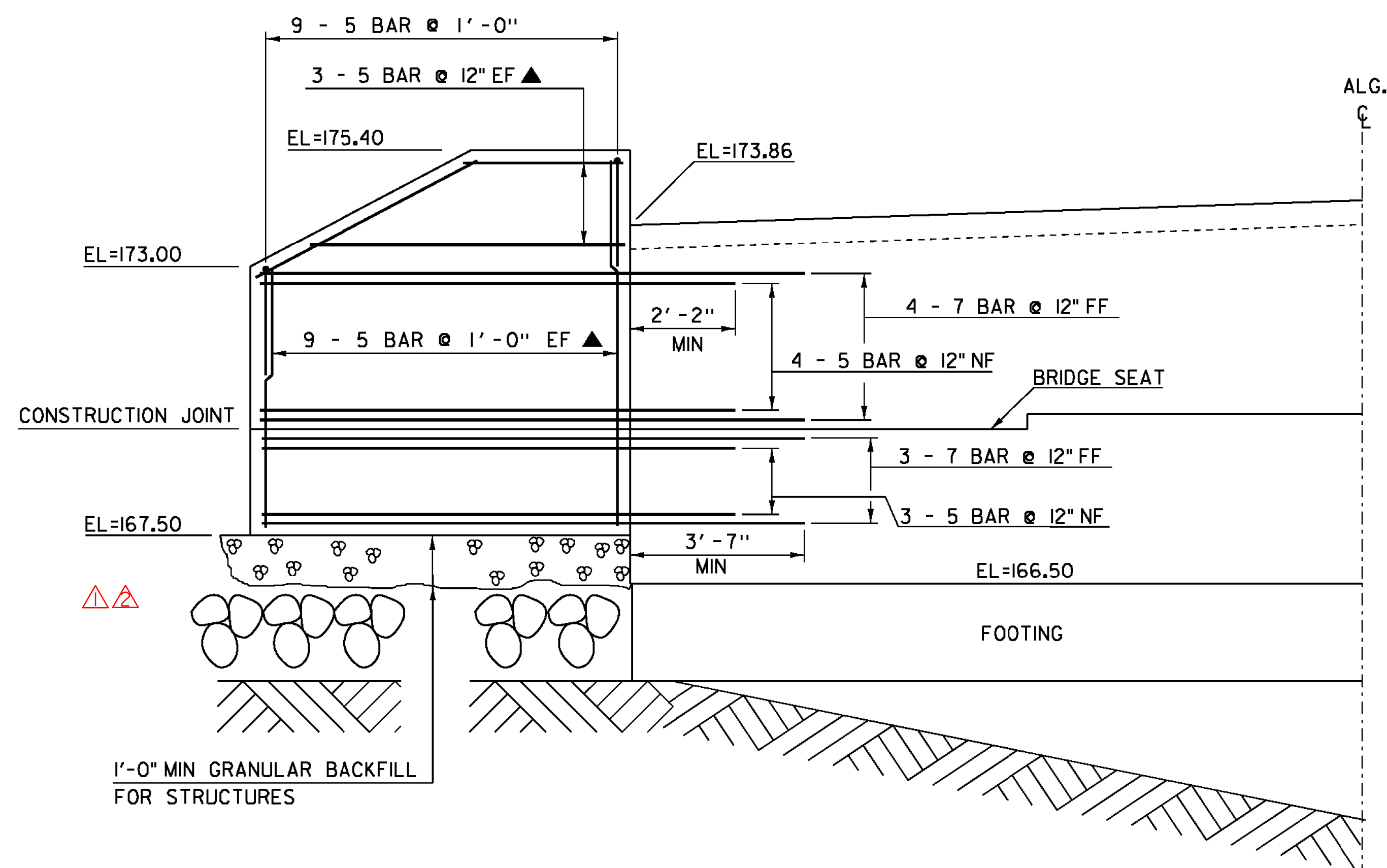


WINGWALL #2 PLAN
SCALE 1/2" = 1'-0"



WINGWALL #2 TYPICAL
SCALE 1/2" = 1'-0"



WINGWALL #2 ELEVATION
SCALE 1/2" = 1'-0"

KEY	DATE	BY	REVISION
△	05/13/2015	VAOT	ELIMINATED 4 IABO'S @ ABUTMENT #1 WINGWALL #2.
△	05/13/2015	VAOT	MODIFIED ABUTMENT #1 WINGWALL #2.

NOTE:

NF = NEAR FACE
 FF = FAR FACE
 EF = EACH FACE
 ▲ = CUT TO FIT IN FIELD
 3" CLEAR, UNLESS OTHERWISE SPECIFIED ON THE PLANS.
 2'-2" BAR LAP UNLESS OTHERWISE SPECIFIED ON THE PLANS.

PROJECT NAME:	COLCHESTER	PLOT DATE:	20-MAY-2015
PROJECT NUMBER:	STP 5600 (12)	DRAWN BY:	M. UMBERGER
FILE NAME:	s95j298sub.dgn	DESIGNED BY:	J. GRIFFIN
PROJECT LEADER:	C. CARLSON	WINGWALL #1 PLAN & ELEVATION	CHECKED BY: N. VANDENBERG
			SHEET 30A OF 53