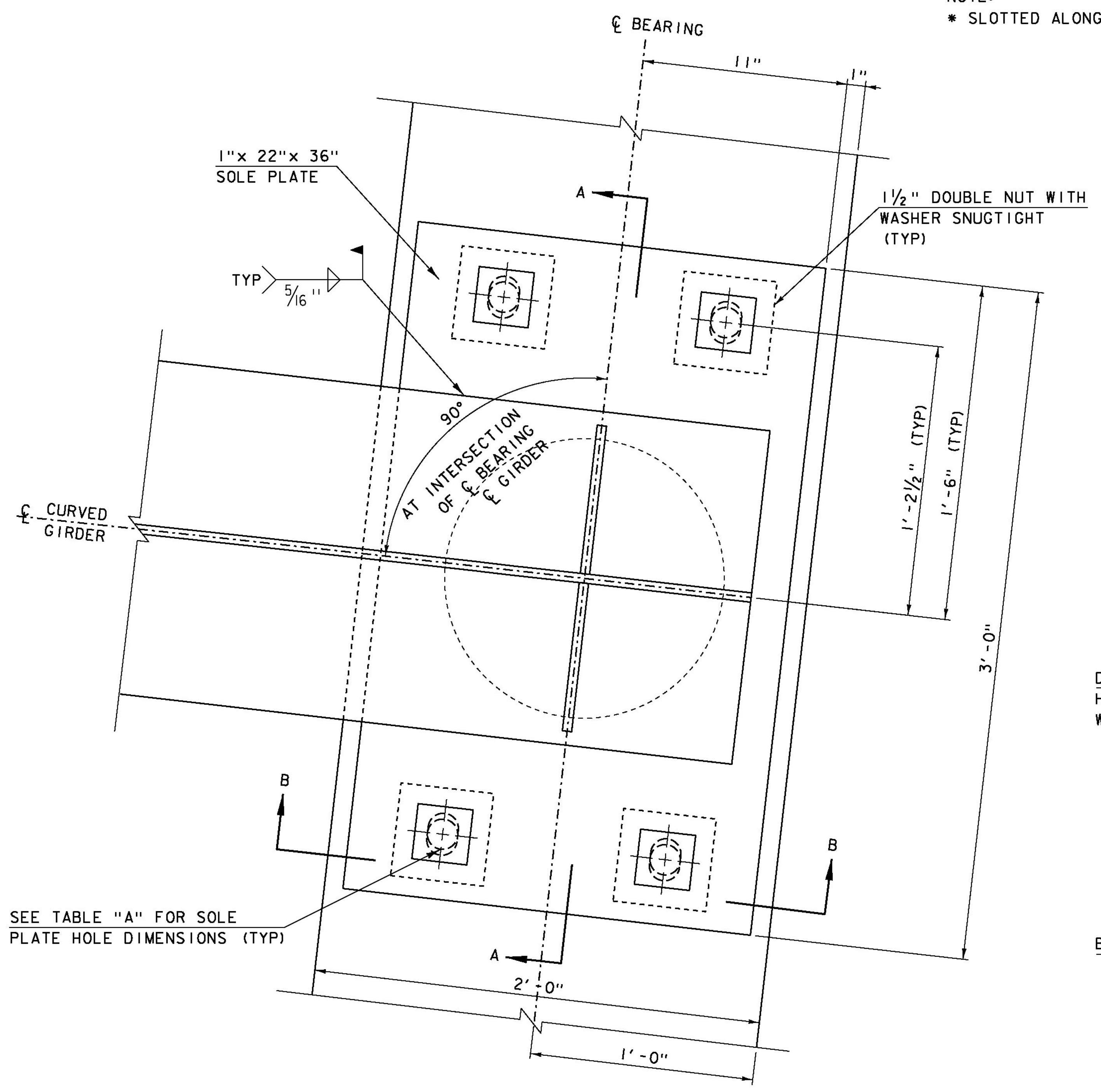


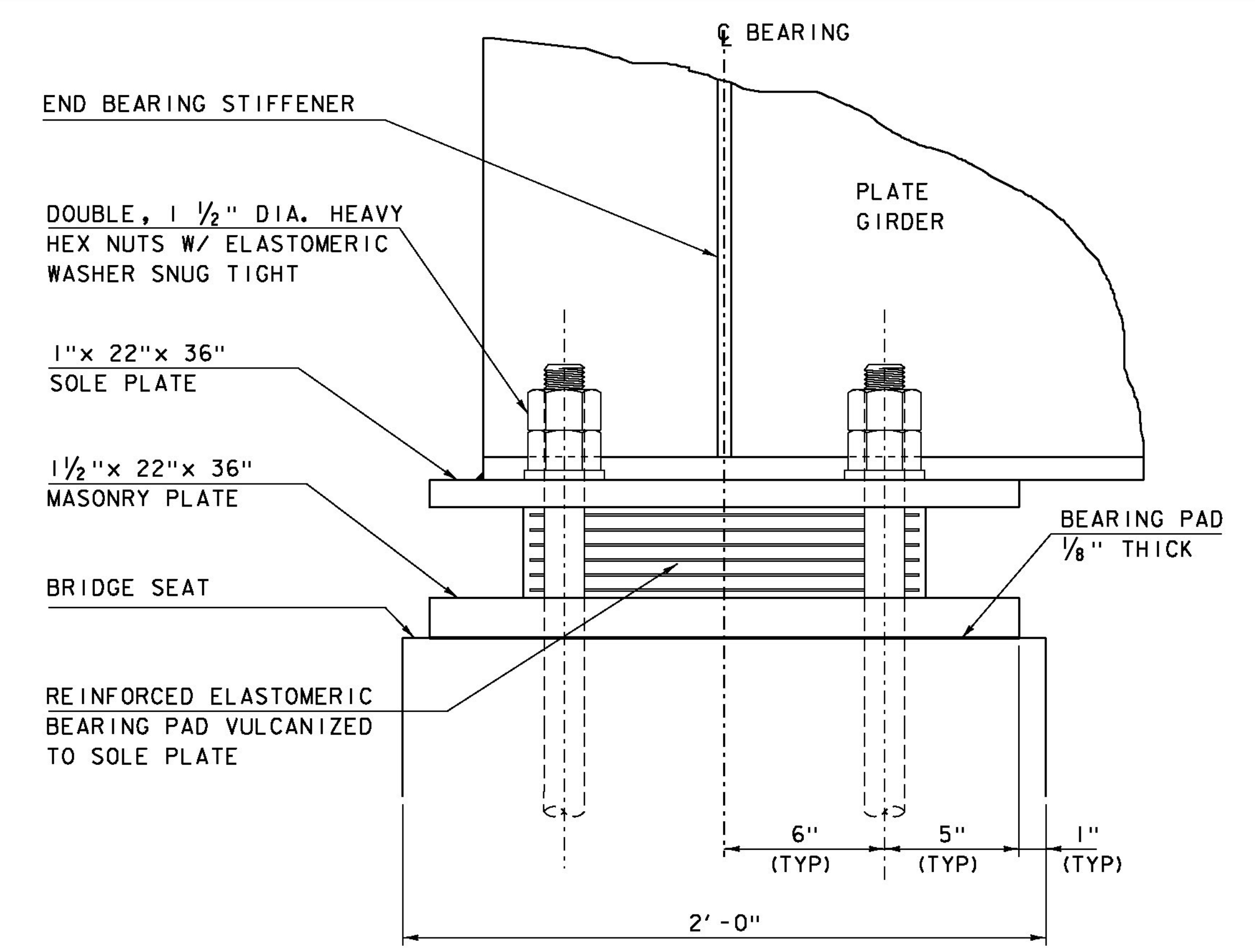
**ELASTOMERIC BEARING PAD MAKE-UP**  
SCALE 3" = 1'-0"

TABLE A	
GIRDER	HOLE DIMENSIONS
1	2" X 1 7/8" *SLOTTED
2	1 7/8"
3	1 7/8"
4	2" X 1 7/8" *SLOTTED

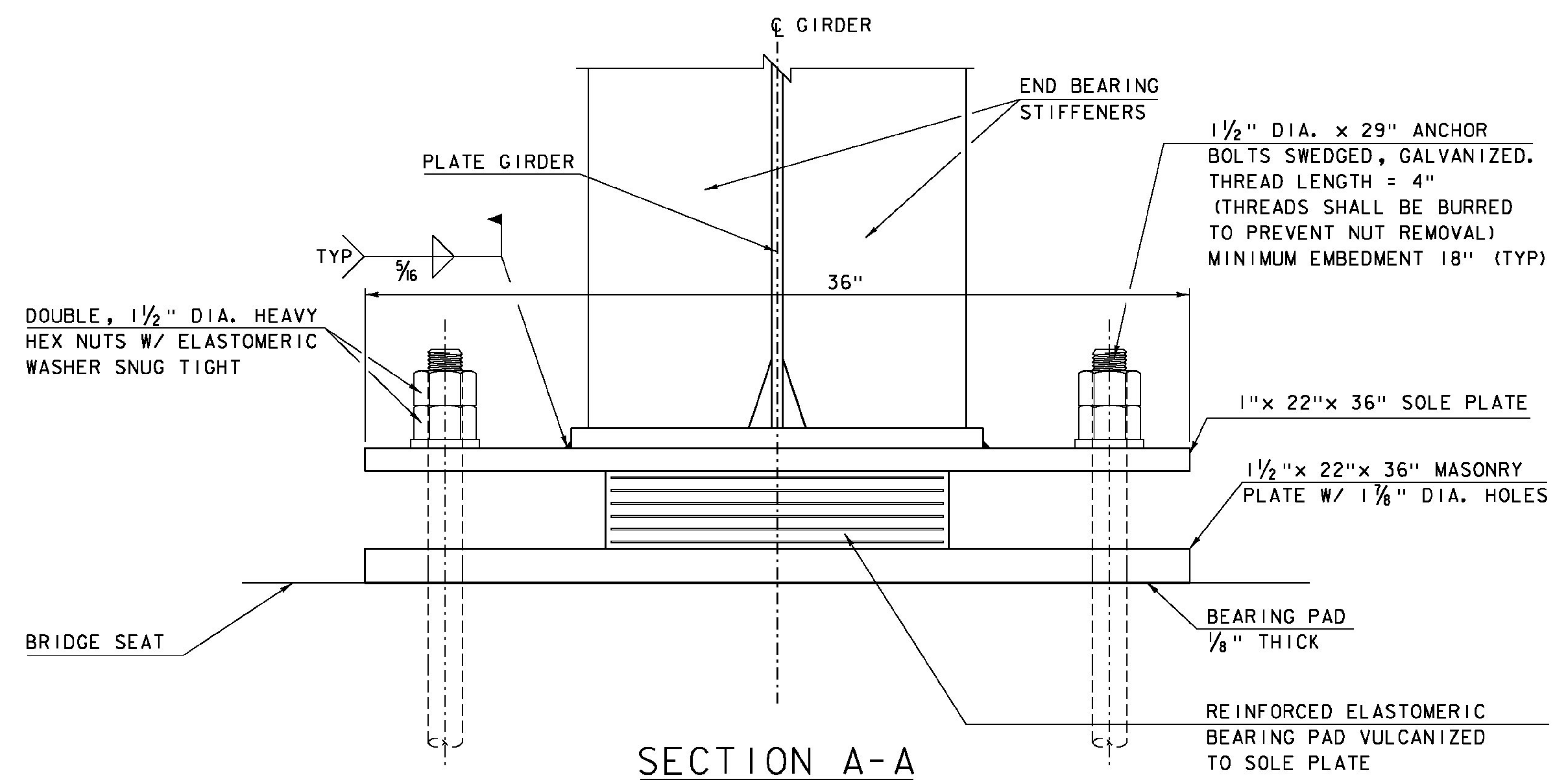
NOTE:  
\* SLOTTED ALONG THE CENTER LINE OF BEARING



**PLAN VIEW**  
SCALE 3" = 1'-0"



**SECTION B-B**  
SCALE 3" = 1'-0"



**SECTION A-A**  
SCALE 3" = 1'-0"

NOTE: FIXED BEARINGS LOCATED AT END BRIDGE

PROJECT NAME: COLCHESTER	PLOT DATE: 12-JAN-2015
PROJECT NUMBER: STP 5600 (12)	DRAWN BY: D. KARABEGOVIĆ
FILE NAME: s95J298brg.dgn	CHECKED BY: M. LONGSTREET
PROJECT LEADER: C. CARLSON	SHEET 28 OF 53
DESIGNED BY: N. VANDERBERG	
FIXED BEARING DETAILS	